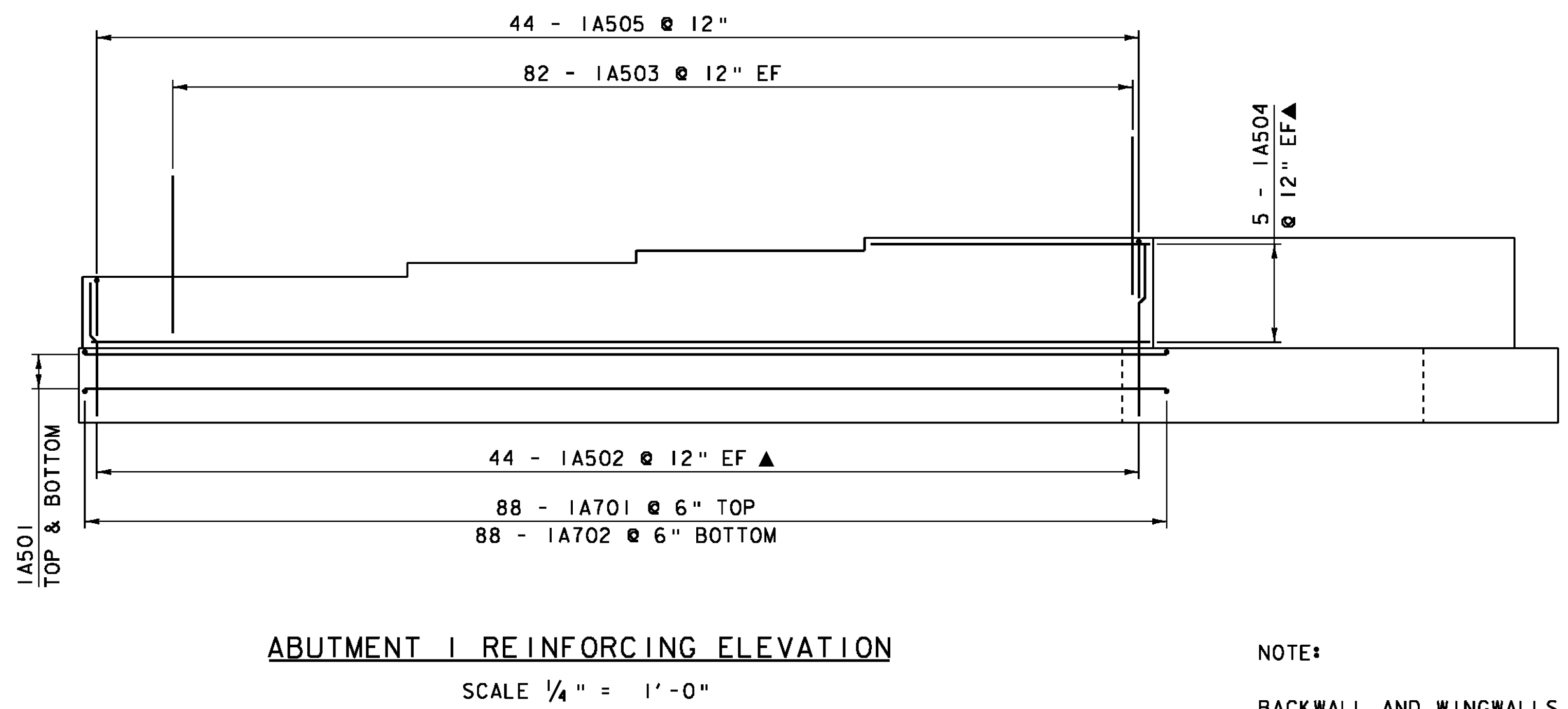
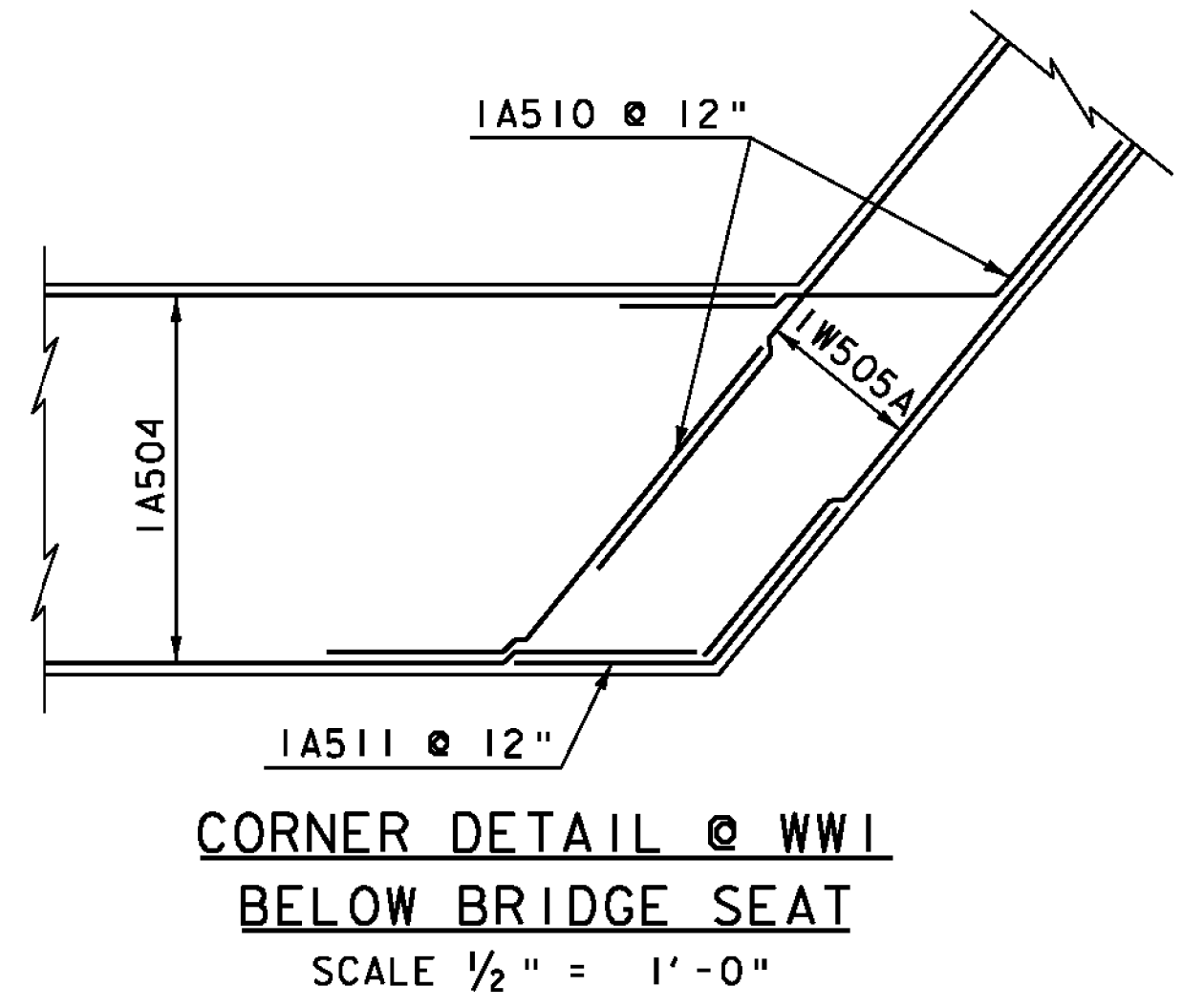
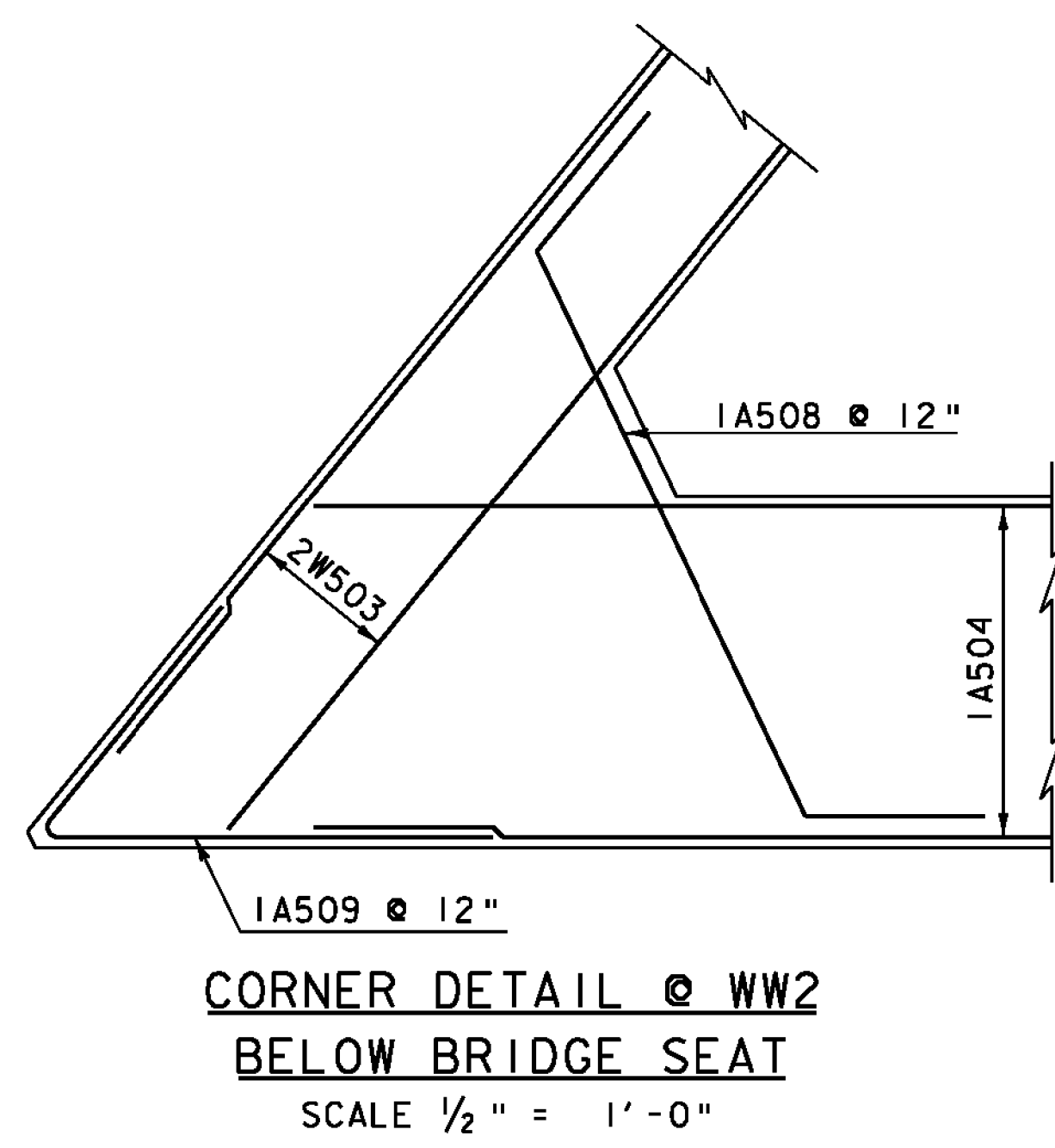
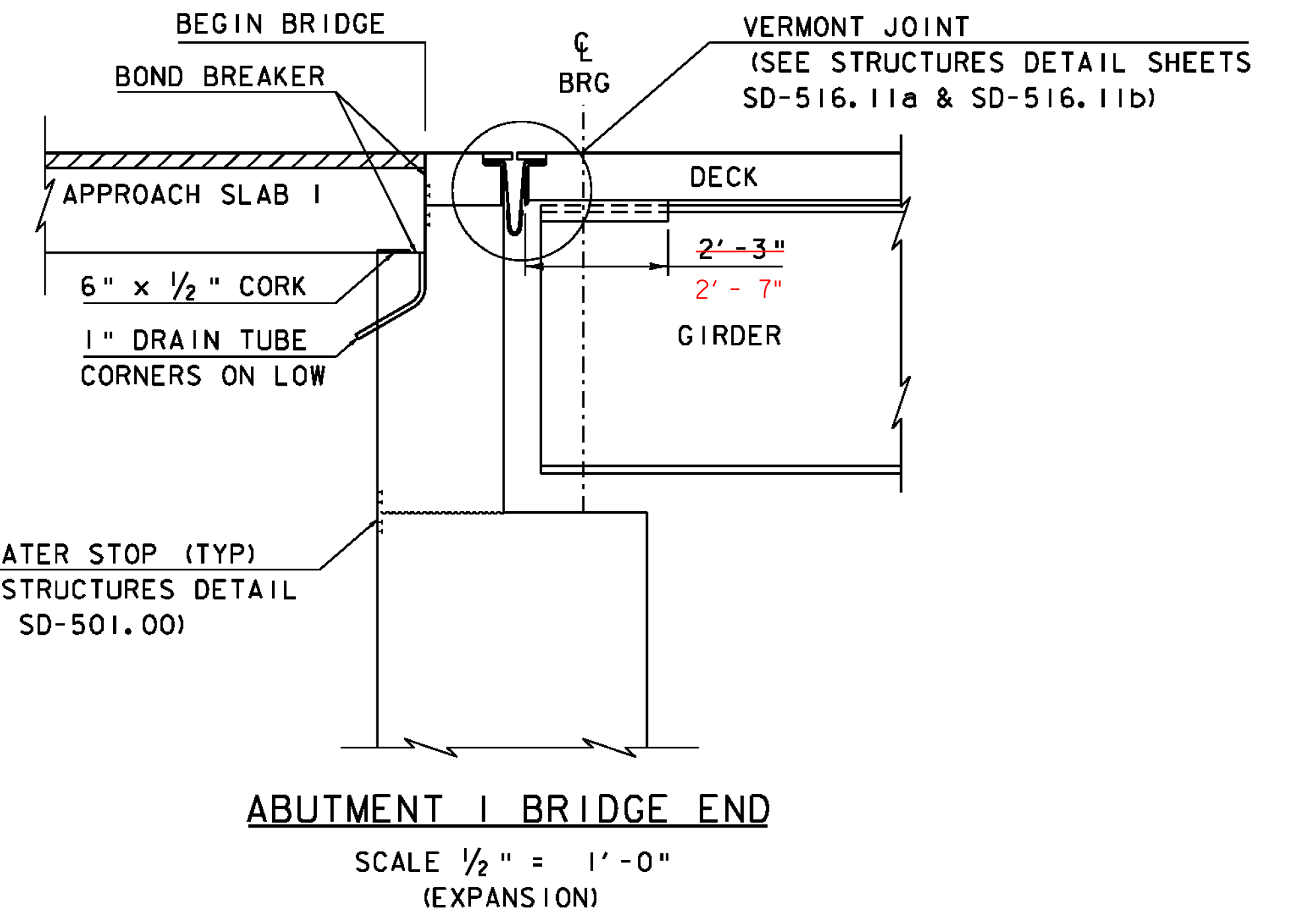


\* THIS PILE MAY NEED TO BE RELOCATED IN THE FIELD ONCE THE LOCATION OF THE EXISTING SEWER LINE IS DETERMINED. THE PILE RELOCATION(S) SHALL BE APPROVED BY THE PROJECT MANAGER PRIOR TO DRIVING PILE.



NOTE:  
BACKWALL AND WINGWALLS NOT SHOWN



NOTE:  
NF = NEAR FACE  
FF = FAR FACE  
EF = EACH FACE  
▲ = CUT TO FIT IN FIELD  
3" CLEAR, UNLESS OTHERWISE SPECIFIED ON THE PLANS.  
2'-2" BAR LAP UNLESS OTHERWISE SPECIFIED ON THE PLANS.

PROJECT NAME:	SPRINGFIELD	PLOT DATE:	30-AUG-2011
PROJECT NUMBER:	BRO 1442(26)	DRAWN BY:	R. PELLETT
FILE NAME:	s95j282sub.dgn	DESIGNED BY:	J. GRIFFIN
PROJECT LEADER:	K. HIGGINS	CHECKED BY:	J. LACROIX
ABUTMENT I REINFORCING PLAN			SHEET 27 OF 52