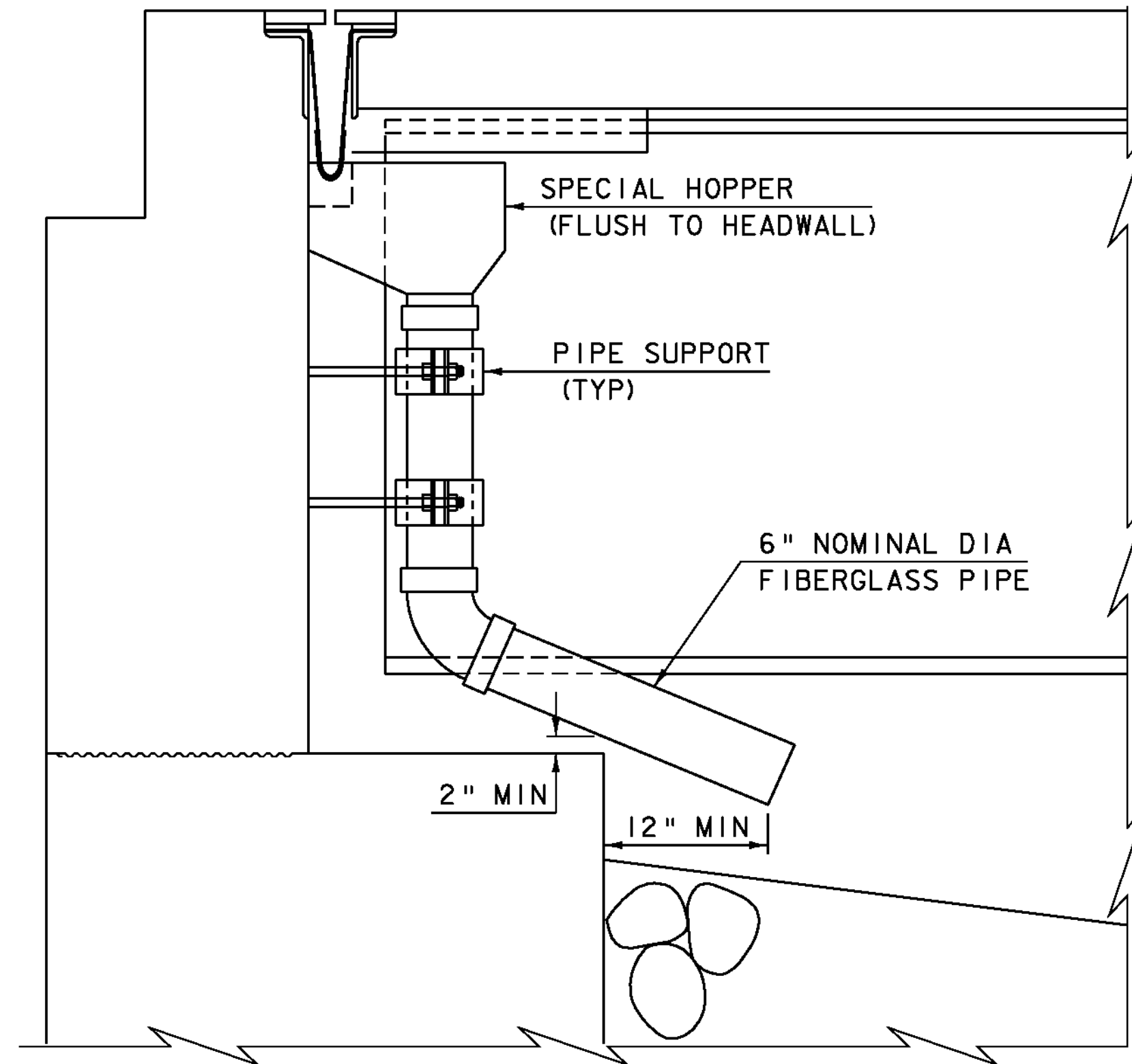
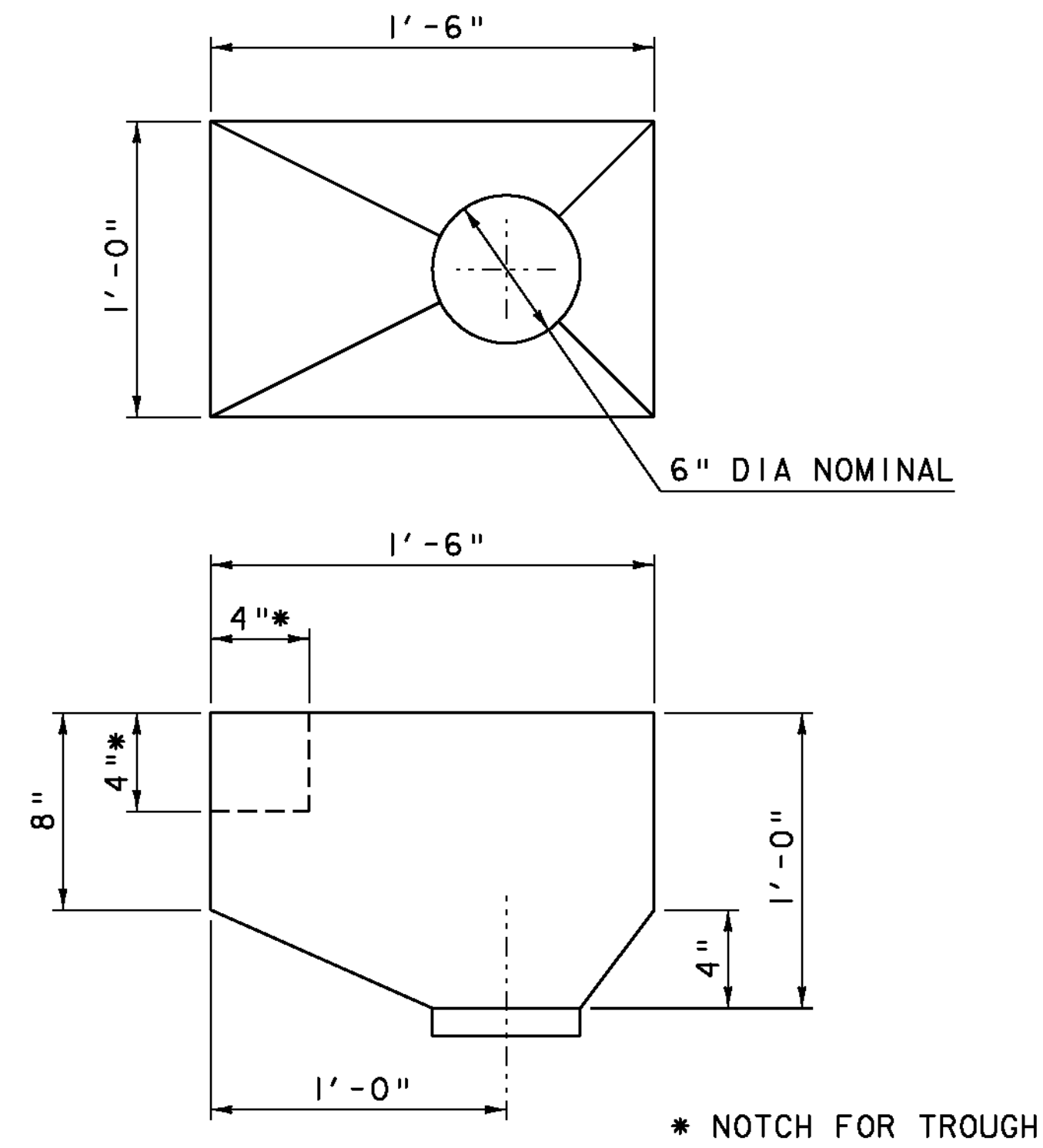


BEGIN BRIDGE



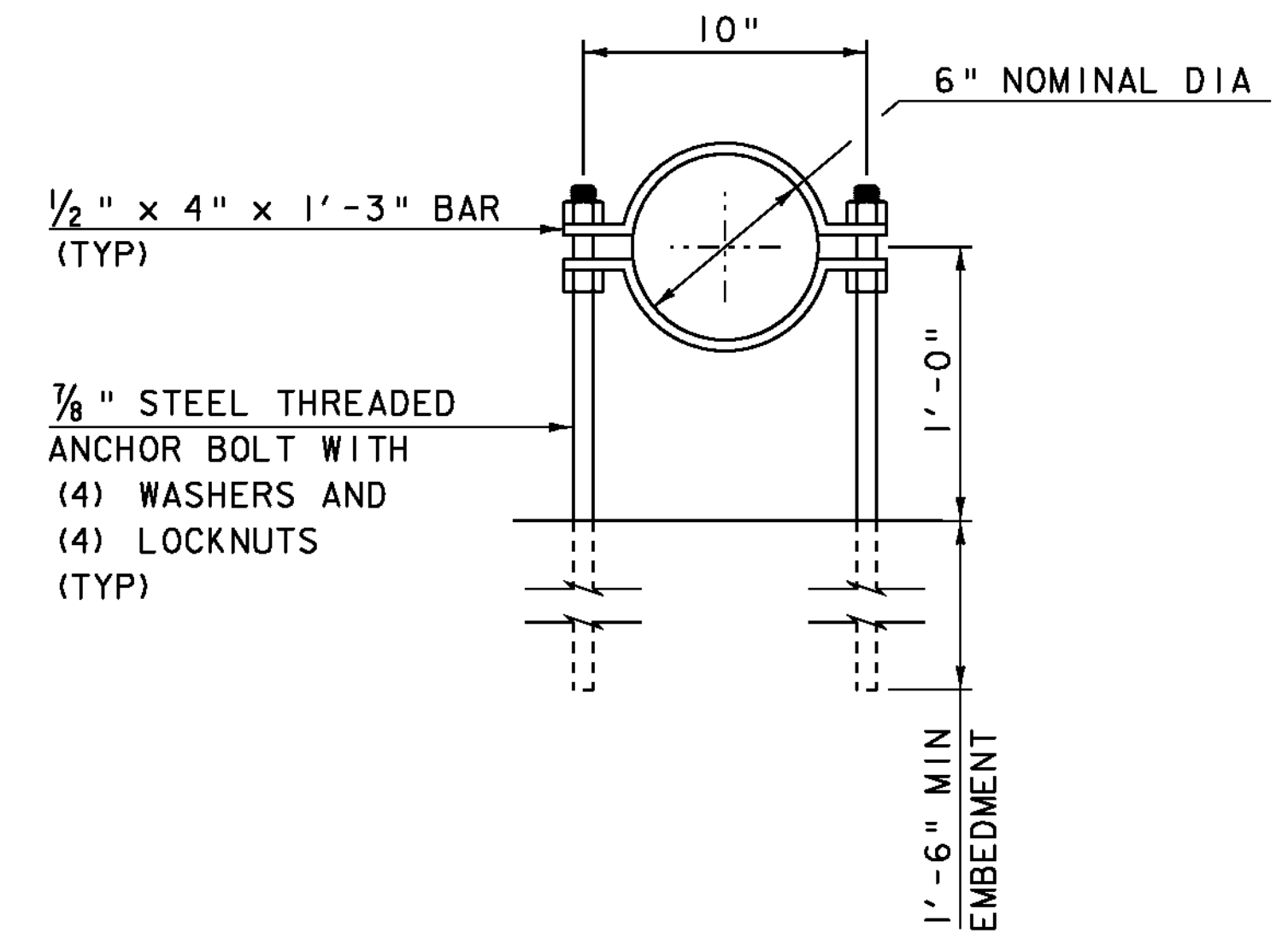
**DOWNSPOUT ELEVATION**

SCALE 1" = 1'-0"



**SPECIAL HOPPER DETAIL**

SCALE 2" = 1'-0"



**PIPE SUPPORT DETAIL**

SCALE 2" = 1'-0"

**NOTES:**

1. ALL PLATES, BARS AND ANGLES SHALL CONFORM TO SUBSECTION 714.02 AND SHALL BE GALVANIZED PER AASHTO M 111M/M 111.
2. ALL BOLTS AND RELATED HARDWARE SHALL CONFORM TO SUBSECTION 714.05 AND SHALL BE GALVANIZED IN ACCORDANCE WITH AASHTO M 232M/M 232"
3. SPECIAL HOPPER, PIPE, BARS, ANCHOR BOLTS AND PIPE JOINTS SHALL BE PAID FOR UNDER ITEM 900.640 SPECIAL PROVISION (BRIDGE FIBERGLASS DRAIN SYSTEM).

PROJECT NAME: SPRINGFIELD  
PROJECT NUMBER: BRO 1442(26)

FILE NAME: s95j282sub.dgn  
PROJECT LEADER: K. HIGGINS  
DESIGNED BY: J.SALVATORI  
DOWNSPOUT DETAILS

PLOT DATE: 14-SEP-2011  
DRAWN BY: R. PELLET  
CHECKED BY: J. SALVATORI  
SHEET 25 OF 52