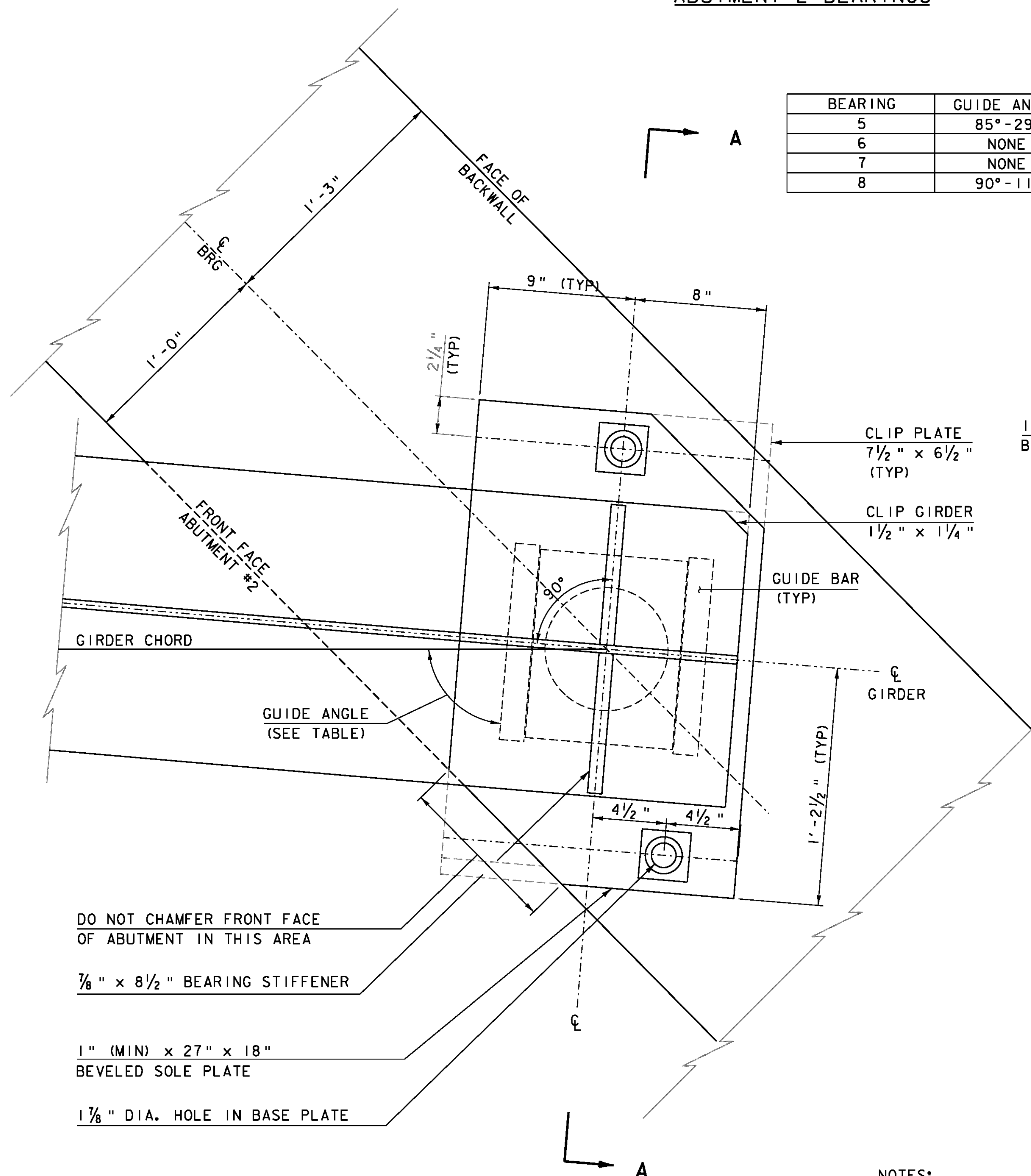
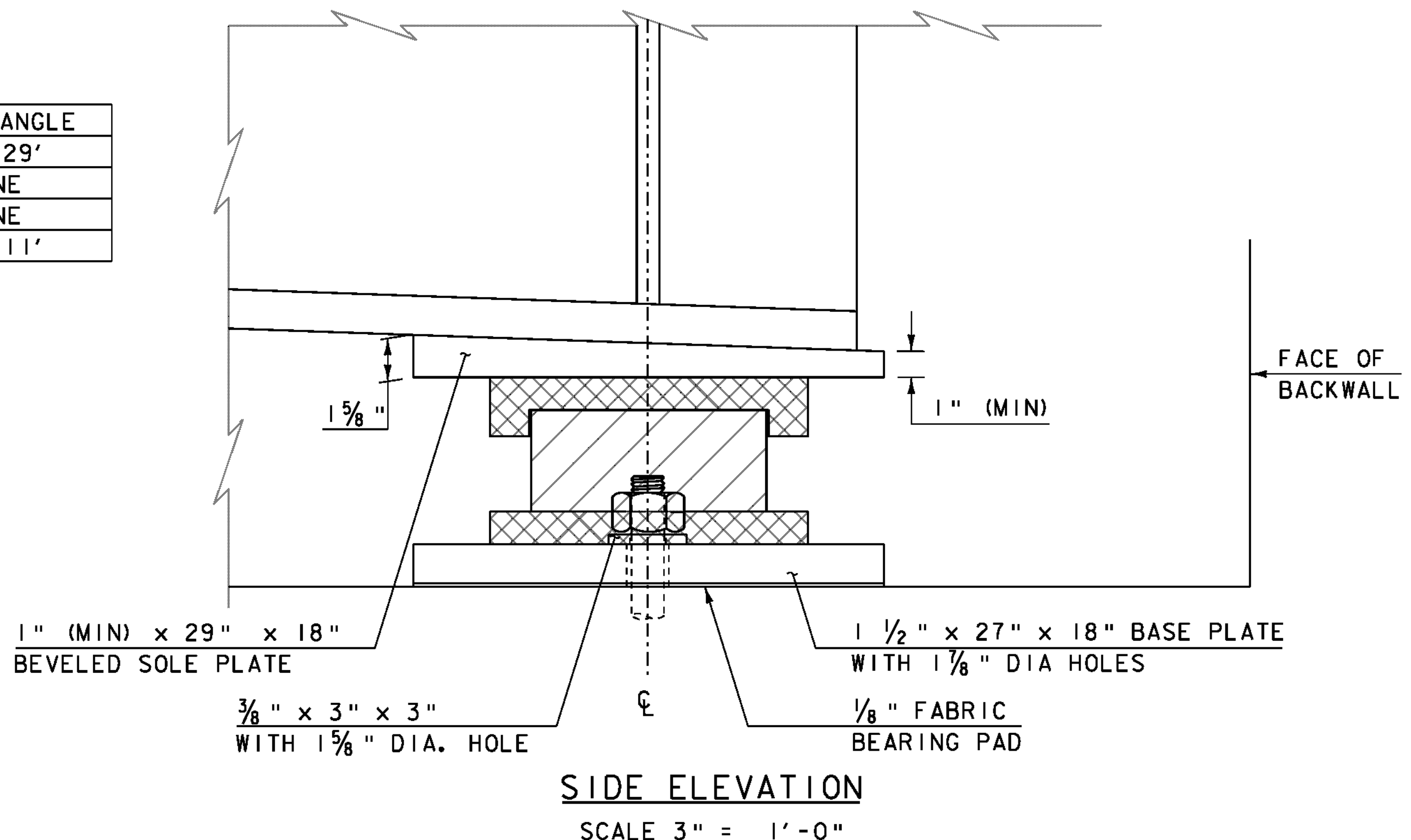


ABUTMENT 2 BEARINGS

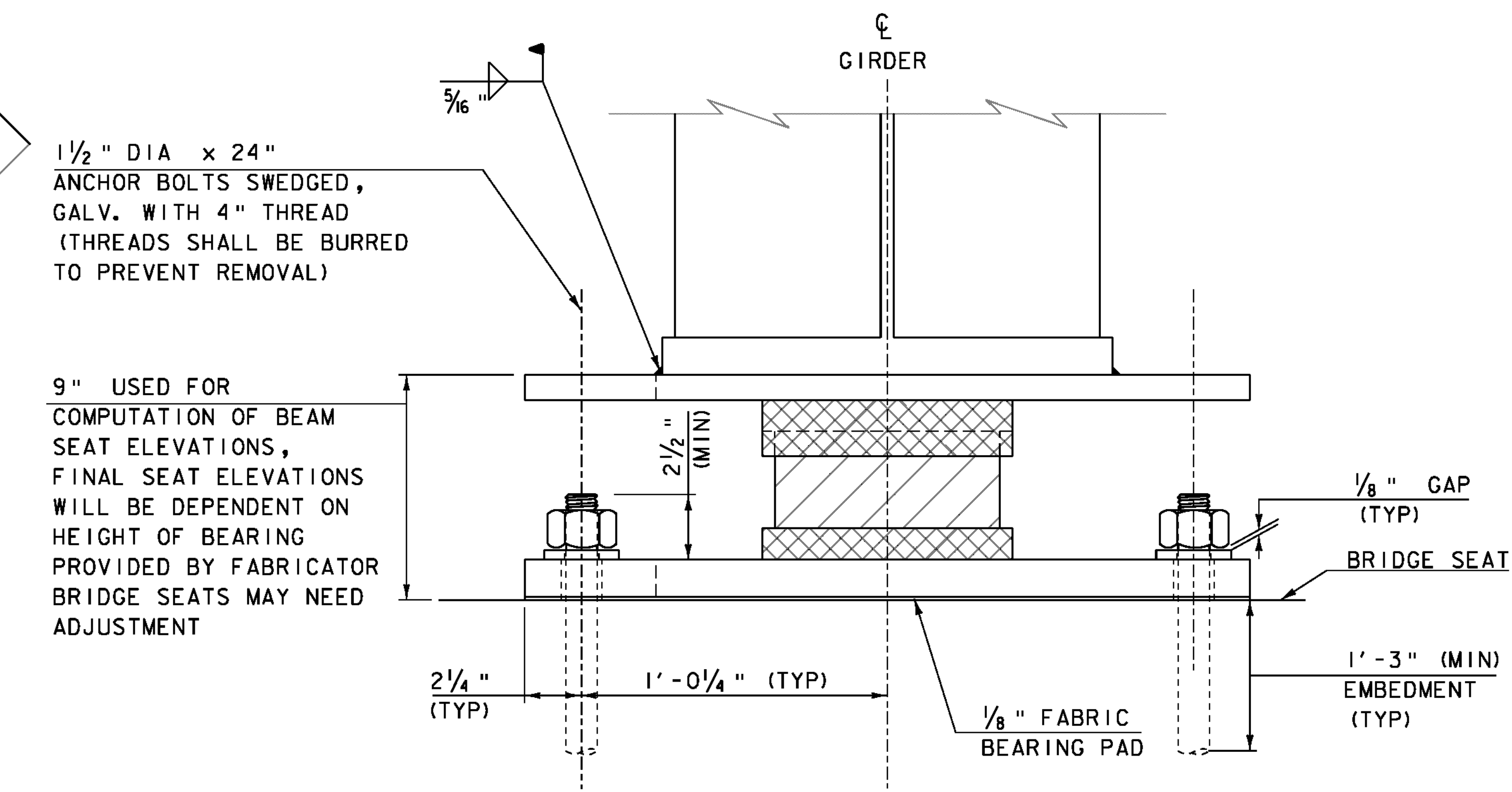
BEARING	GUIDE ANGLE
5	85°-29'
6	NONE
7	NONE
8	90°-11'



PLAN VIEW
SCALE 3" = 1'-0"



SIDE ELEVATION
SCALE 3" = 1'-0"



SECTION A - A
SCALE 3" = 1'-0"

NOTES:

1. THE HATCHED COMPONENTS OF THE POT BEARINGS ARE SHOWN FOR REPRESENTATIVE PURPOSES ONLY. THE ACTUAL CONFIGURATION OF THE COMPONENTS WILL BE DEPENDENT UPON THE BEARING FABRICATOR.
2. SEE BEARING DETAILS-1 SHEET FOR ADDITIONAL BEARING NOTES.

PROJECT NAME: SPRINGFIELD	PLOT DATE: 30-AUG-2011
PROJECT NUMBER: BRO 1442(26)	DRAWN BY: R. PELLET
FILE NAME: s95j282sup.dgn	CHECKED BY: J. LACROIX
PROJECT LEADER: K. HIGGINS	SHEET 24 OF 52
DESIGNED BY: J. LACROIX	
BEARING DETAILS - 3	