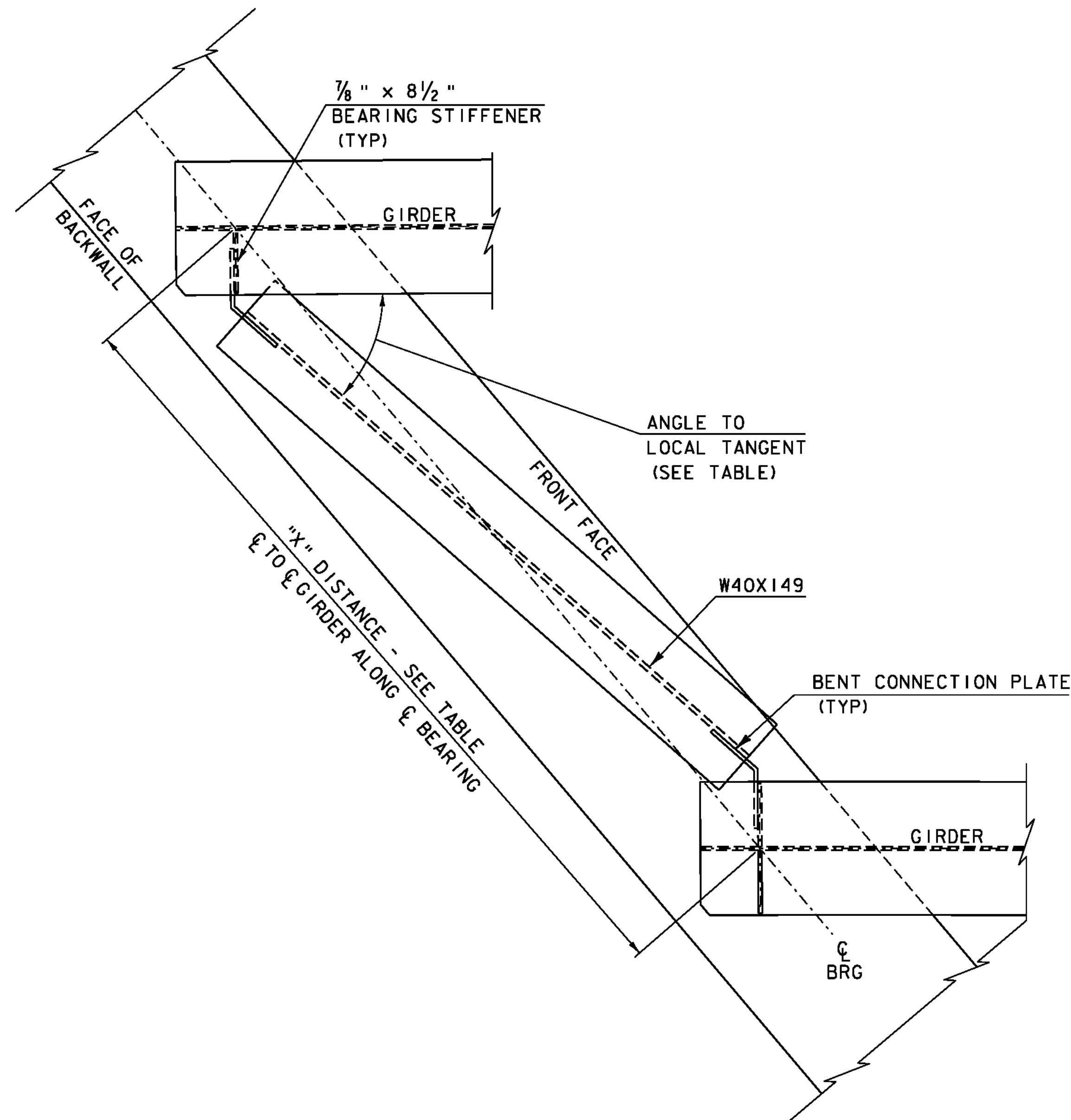


FRAMING PLAN
SCALE 3/16" = 1'-0"

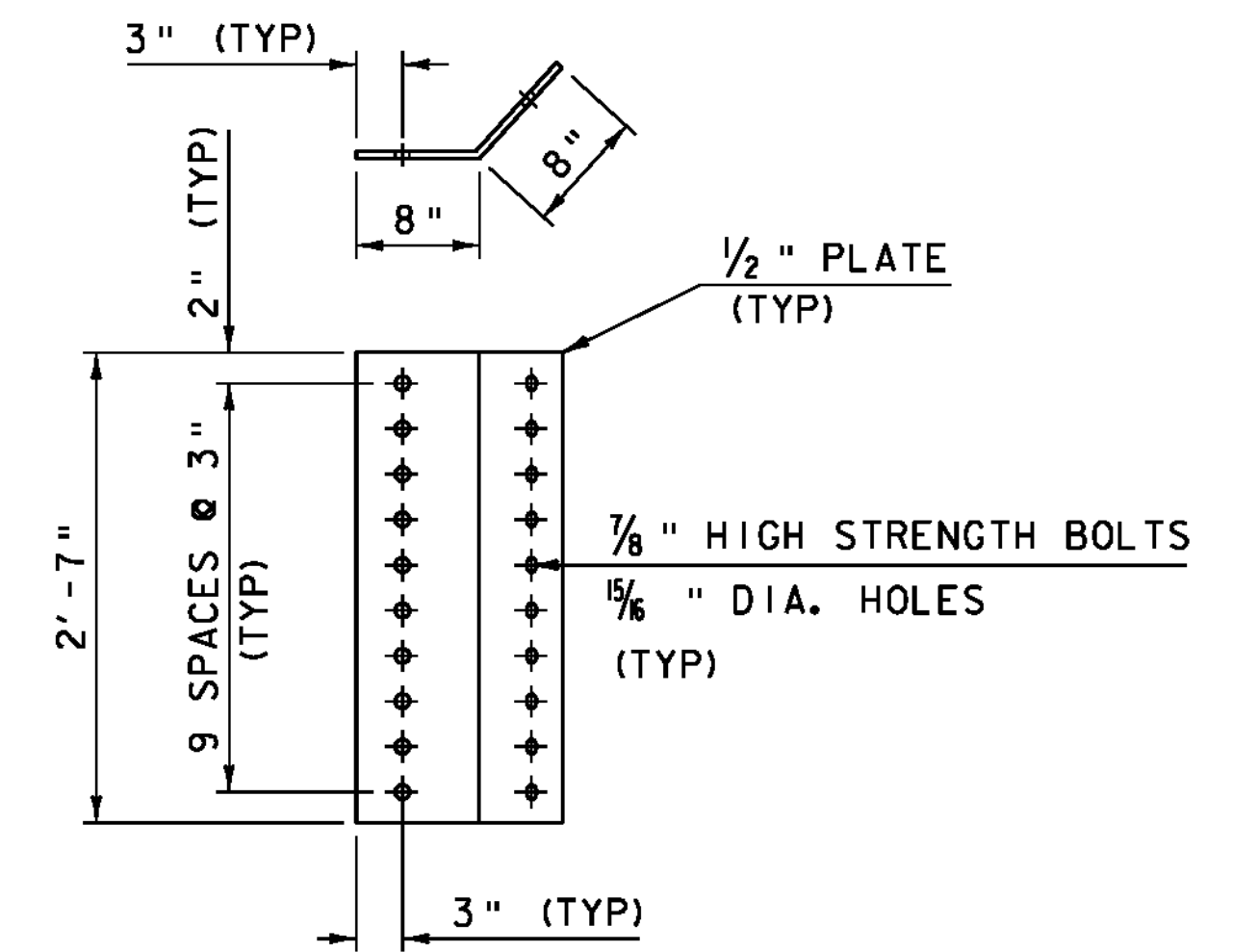
CROSSFRAME INFORMATION TABLE	
"X"	LOCATION
9' - 1 9/16"	GIRDER 1 TO GIRDER 2 @ ABUT. 1
9' - 2 1/4"	GIRDER 2 TO GIRDER 3 @ ABUT. 1
9' - 2 15/16"	GIRDER 3 TO GIRDER 4 @ ABUT. 1
10' - 8 3/16"	GIRDER 1 TO GIRDER 2 @ ABUT. 2
10' - 9 3/4"	GIRDER 2 TO GIRDER 3 @ ABUT. 2
10' - 11 3/8"	GIRDER 3 TO GIRDER 4 @ ABUT. 2

ANGLE TO LOCAL TANGENT TABLE	
ANGLE	LOCATION
49° - 44' - 17"	GIRDER 1 TO GIRDER 2 @ ABUT. 1
49° - 31' - 34"	GIRDER 2 TO GIRDER 3 @ ABUT. 1
48° - 46' - 28"	GIRDER 3 TO GIRDER 4 @ ABUT. 1
40° - 42' - 14"	GIRDER 1 TO GIRDER 2 @ ABUT. 2
40° - 23' - 7"	GIRDER 2 TO GIRDER 3 @ ABUT. 2
40° - 4' - 23"	GIRDER 3 TO GIRDER 4 @ ABUT. 2



PLAN VIEW OF CROSSFRAME @ ABUT. NO. 1
(ABUT. NO. 2 SIMILAR)

SCALE 1" = 1'-0"



BENT CONNECTION PLATE
SCALE 1" = 1'-0"

NOTE:
*CVN DENOTES THAT CHARPY V-NOTCH TEST IS REQUIRED

PROJECT NAME: SPRINGFIELD	PLOT DATE: 30-AUG-2011
PROJECT NUMBER: BRO 1442(26)	DRAWN BY: R. PELLET
FILE NAME: s95j282sup.dgn	CHECKED BY: J. LACROIX
PROJECT LEADER: K. HIGGINS	SHEET 20 OF 52
DESIGNED BY: J. LACROIX	
FRAMING & CROSS FRAME DETAILS	