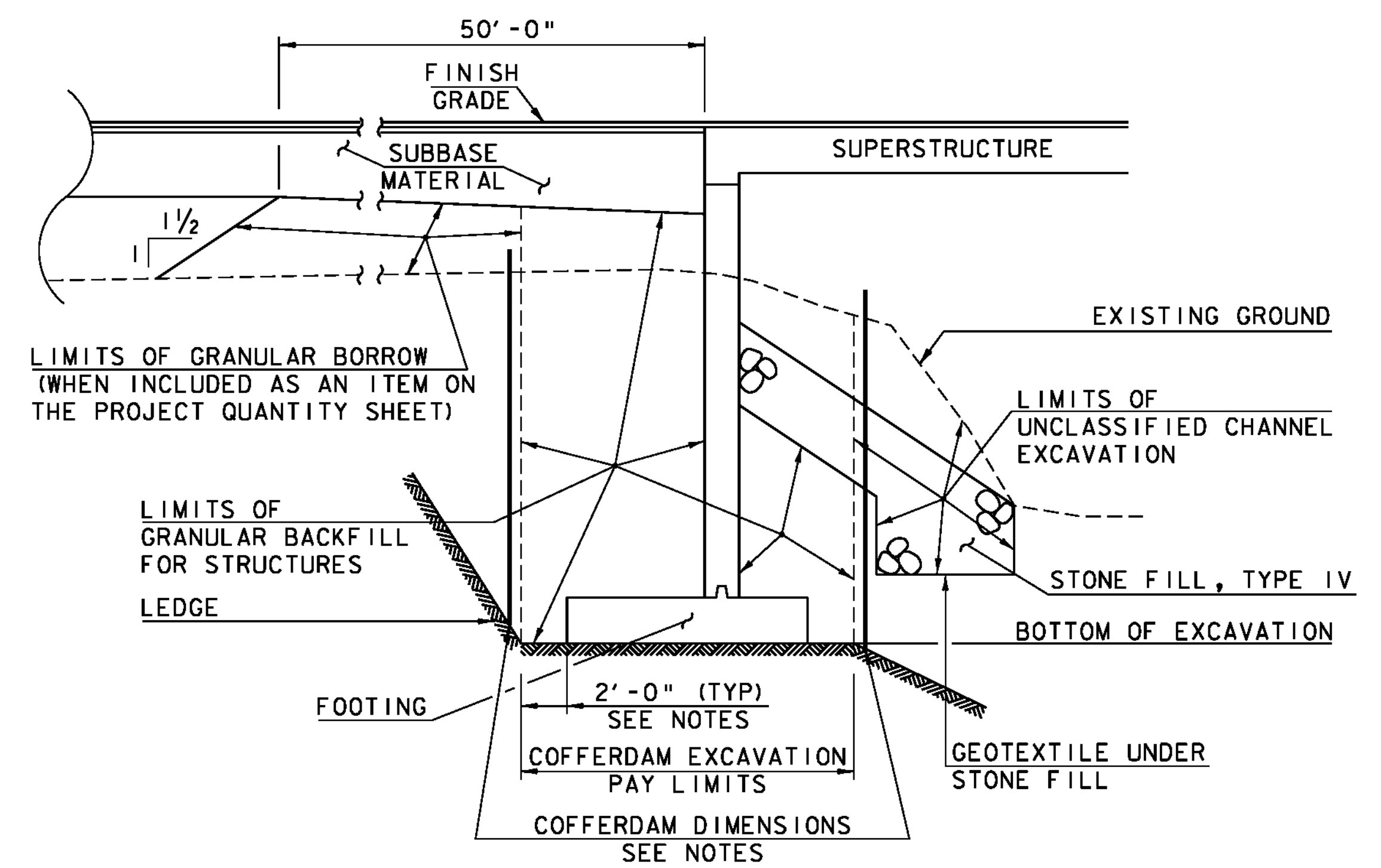


**EARTHWORK SECTION (ABUTMENT #1)**  
(NOT TO SCALE)



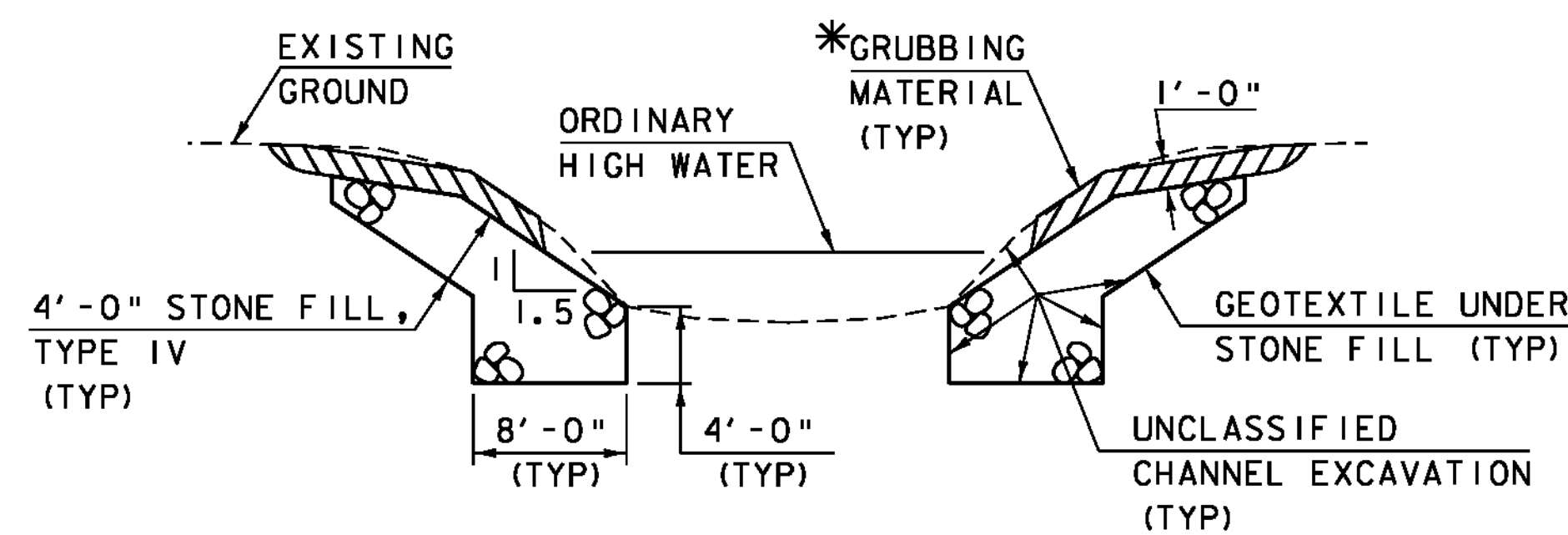
**COFFERDAM AND EARTHWORK SECTION (ABUTMENT #2)**  
(NOT TO SCALE)

**STRUCTURE EXCAVATION NOTES**

1. ACTUAL LIMITS OF STRUCTURE EXCAVATION TO BE DETERMINED BY THE CONTRACTOR.
2. THE PAY LIMITS OF "STRUCTURE EXCAVATION" SHALL BE 2'-0" OUTSIDE THE PERIMETER OF THE FOOTING AND FROM BOTTOM OF EXCAVATION UP TO THE EXISTING GROUND OR BOTTOM OF SUBBASE, WHICHEVER IS LOWER.
3. IF EXCAVATION IS LARGER THAN THE INDICATED STRUCTURE EXCAVATION PAY LIMITS, PAYMENT FOR ALL UNCLASSIFIED CHANNEL EXCAVATION, INCLUDING THAT PORTION WHICH IS INSIDE THE EXCAVATION BUT OUTSIDE THE STRUCTURE EXCAVATION PAY LIMITS, WILL BE MADE AT THE CONTRACT UNIT PRICE FOR UNCLASSIFIED CHANNEL EXCAVATION. NO MEASUREMENT AND PAYMENT WILL BE MADE FOR STRUCTURE EXCAVATION AND GRANULAR BACKFILL FOR STRUCTURES OUTSIDE THE PAY LIMITS DEFINED IN NOTE 2.

**COFFERDAM NOTES**

1. COFFERDAM DIMENSIONS TO BE DETERMINED BY THE CONTRACTOR.
2. THE PAY LIMITS OF EITHER "COFFERDAM EXCAVATION, EARTH" OR "COFFERDAM EXCAVATION, ROCK" SHALL BE 2'-0" OUTSIDE THE PERIMETER OF THE FOOTING AND FROM BOTTOM OF EXCAVATION UP TO THE EXISTING GROUND OR BOTTOM OF SUBBASE, WHICHEVER IS LOWER.
3. IF A COFFERDAM IS CONSTRUCTED WHICH IS LARGER THAN THE INDICATED COFFERDAM EXCAVATION PAY LIMITS, PAYMENT FOR ALL UNCLASSIFIED CHANNEL EXCAVATION, INCLUDING THAT PORTION WHICH IS INSIDE THE COFFERDAM BUT OUTSIDE THE COFFERDAM PAY LIMITS, WILL BE MADE AT THE CONTRACT UNIT PRICE FOR UNCLASSIFIED CHANNEL EXCAVATION. NO MEASUREMENT AND PAYMENT WILL BE MADE FOR COFFERDAM EXCAVATION AND GRANULAR BACKFILL FOR STRUCTURES OUTSIDE THE PAY LIMITS DEFINED IN NOTE 2.



**TYPICAL CHANNEL SECTION**  
(NOT TO SCALE)

\*GRUBBING MATERIAL SHALL NOT BE PLACED ON THE STONE FILL IN THE AREA UNDER THE BRIDGE. WHENEVER CHANNEL SLOPE INTERSECTS ROADWAY SUBBASE, GRUBBING MATERIAL SHALL BEGIN AT THE BOTTOM OF SUBBASE.

PROJECT NAME: SPRINGFIELD  
PROJECT NUMBER: BRO 1442(26)

FILE NAME: s95j2821typical.dgn  
PROJECT LEADER: K. HIGGINS  
DESIGNED BY: J. SALVATORI  
TYPICAL SECTION SHEET - 2

PLOT DATE: 30-AUG-2011  
DRAWN BY: J. SALVATORI  
CHECKED BY: J. LACROIX  
SHEET 7 OF 52