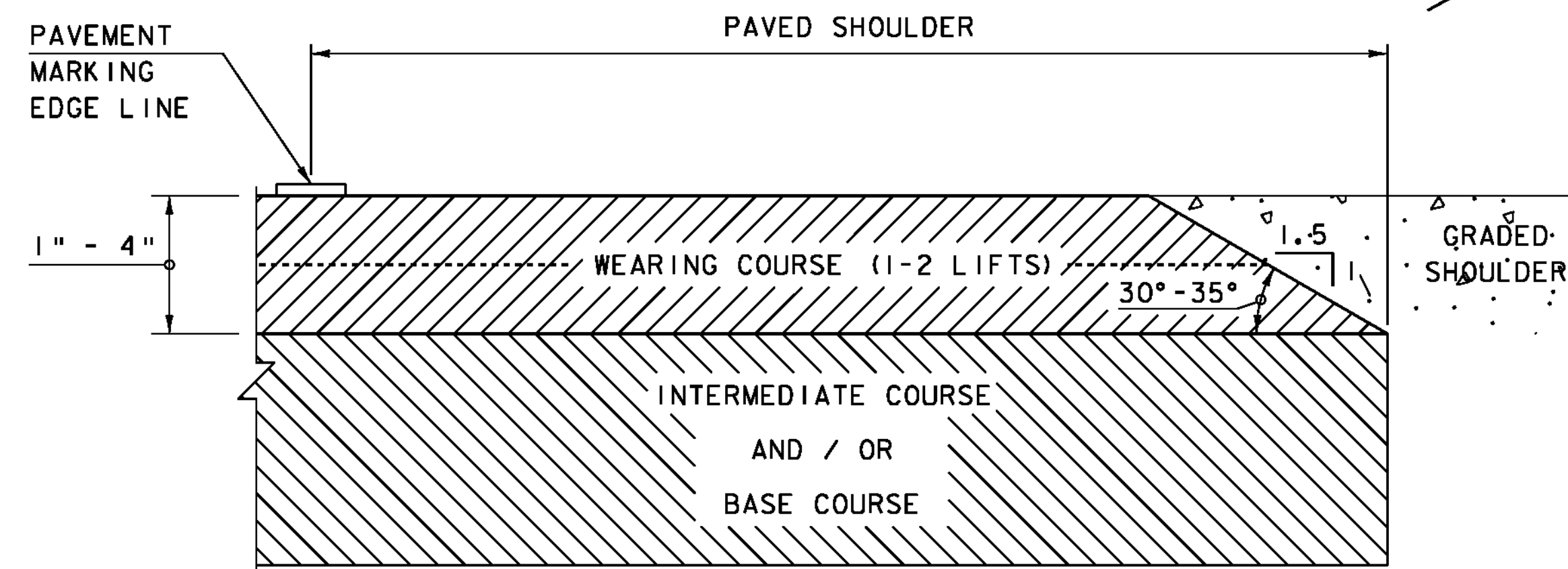
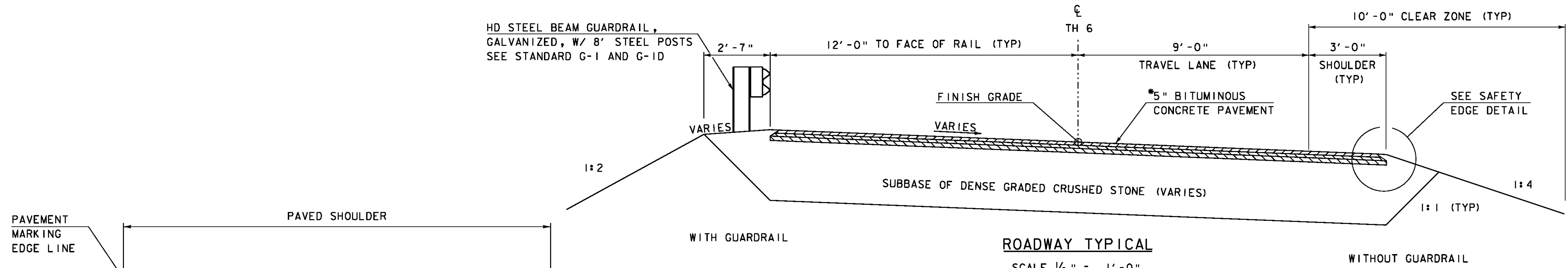
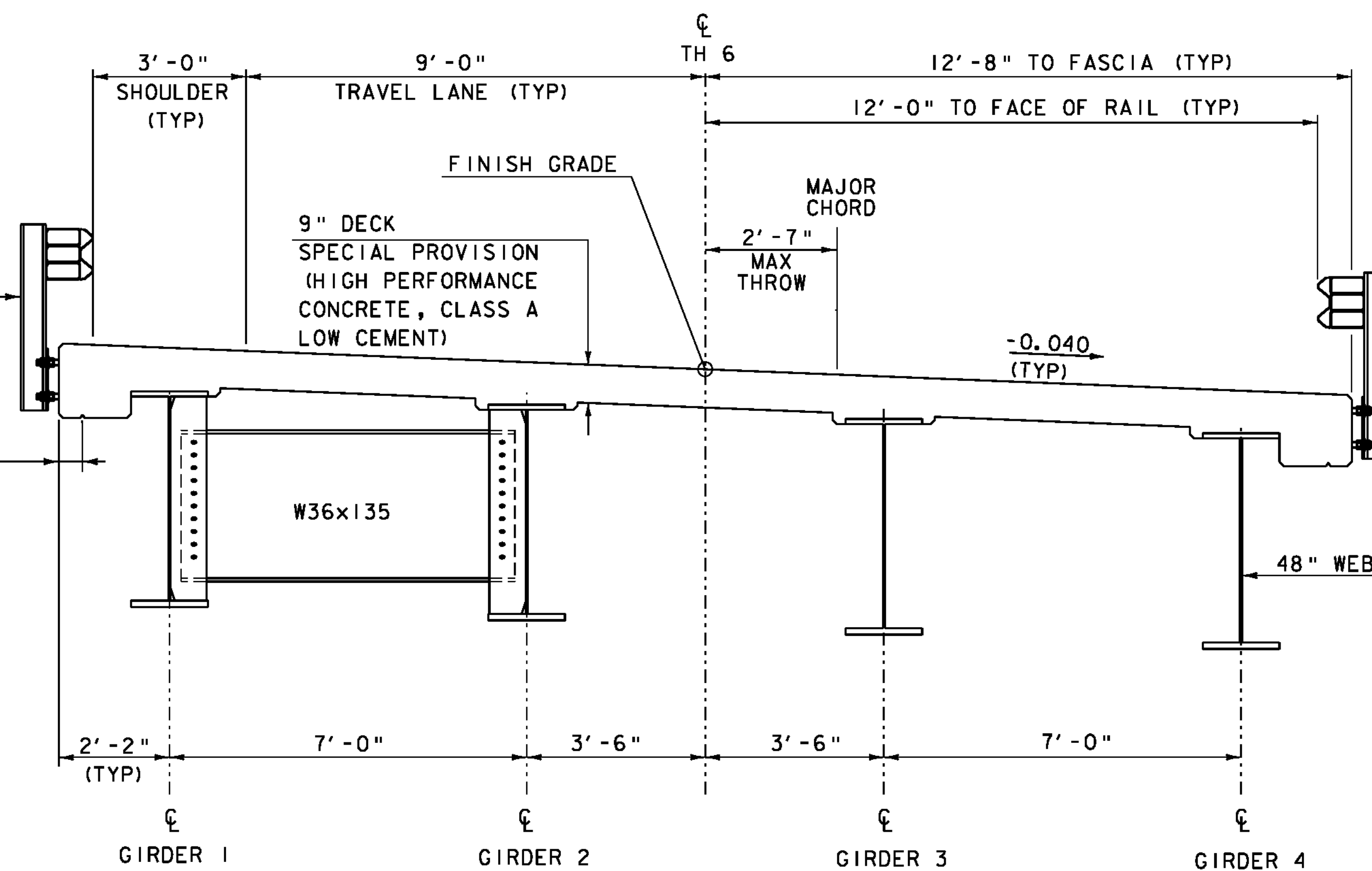


#3" SUPERPAVE BITUMINOUS CONCRETE PAVEMENT  
 (1 1/2" TYPE IVS OVER 1 1/2" TYPE IVS)  
 2" BASE COURSE OF SUPERPAVE BITUMINOUS CONCRETE PAVEMENT (TYPE I11S)  
 24" DENSE GRADED CRUSHED STONE SUBBASE (VARIES)



SPECIAL PROVISION  
 (BRIDGE RAILING,  
 GALVANIZED HDSB,  
 FASCIA MOUNTED,  
 STEEL TUBING) (TYP)

6" TO DRIP NOTCH (TYP)



**MATERIAL TOLERANCES**  
 (IF USED ON PROJECT)

SURFACE	
- PAVEMENT (TOTAL THICKNESS)	+/- 1/4"
- AGGREGATE SURFACE COURSE	+/- 1/2"
SUBBASE	+/- 1"
SAND BORROW	+/- 1"

PROJECT NAME: SPRINGFIELD  
 PROJECT NUMBER: BRO 1442(26)

FILE NAME: s95j2821typical.dgn  
 PROJECT LEADER: K. HIGGINS  
 DESIGNED BY: J. SALVATORI  
 TYPICAL SECTION SHEET - 1

PLOT DATE: 30-AUG-2011  
 DRAWN BY: J. SALVATORI  
 CHECKED BY: J. LACROIX  
 SHEET 6 OF 52