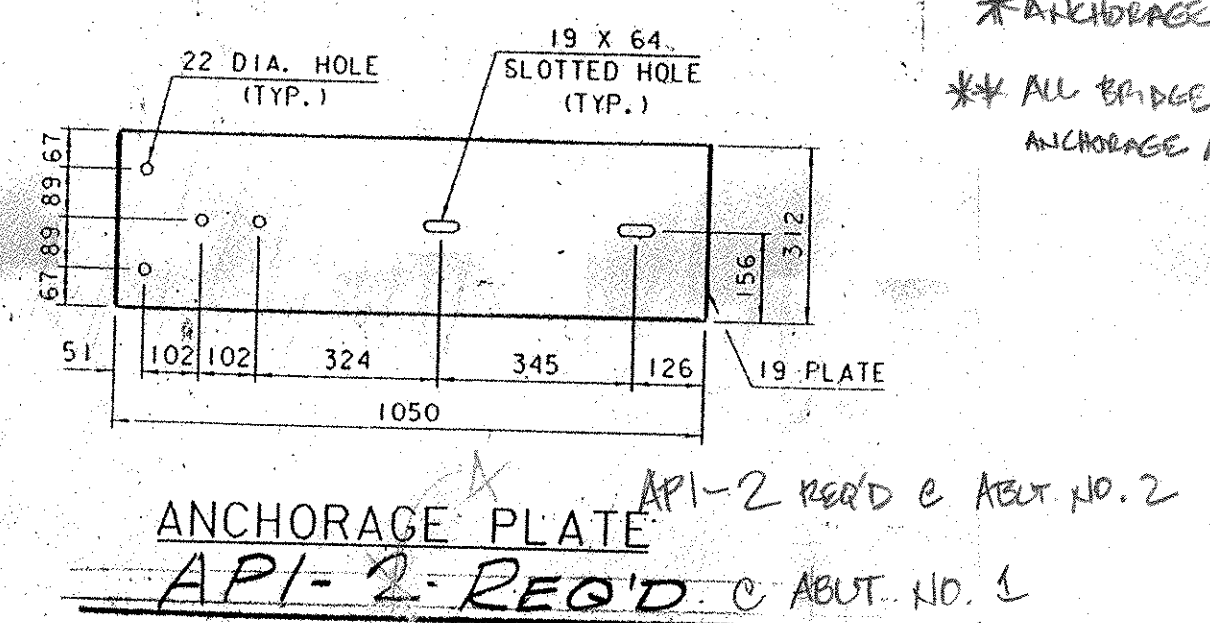
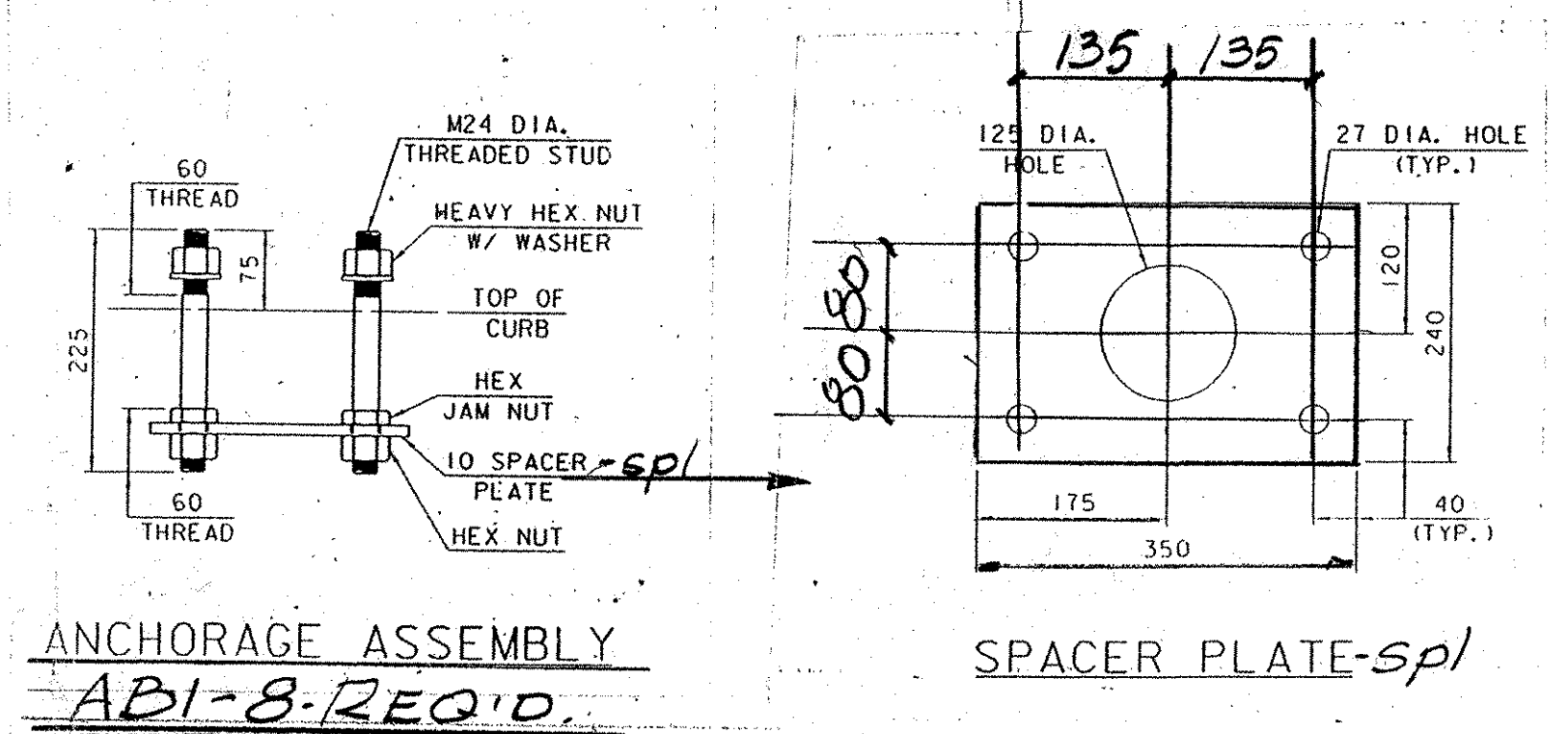
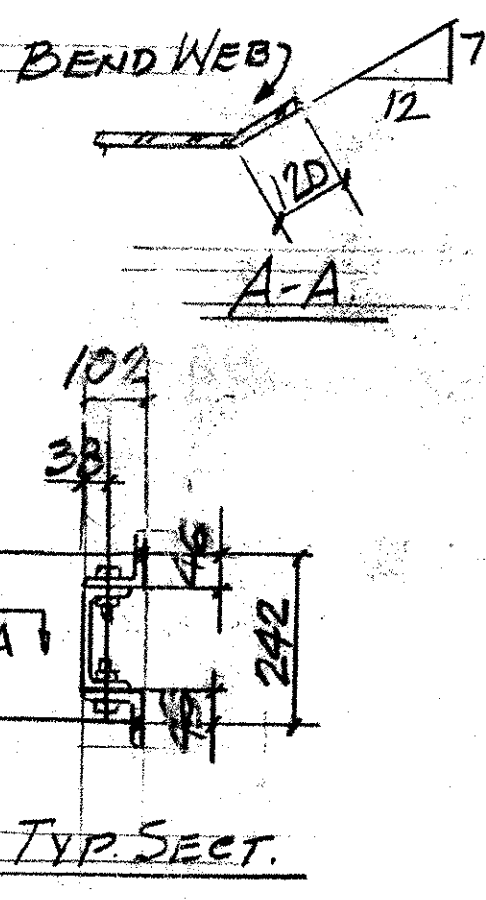
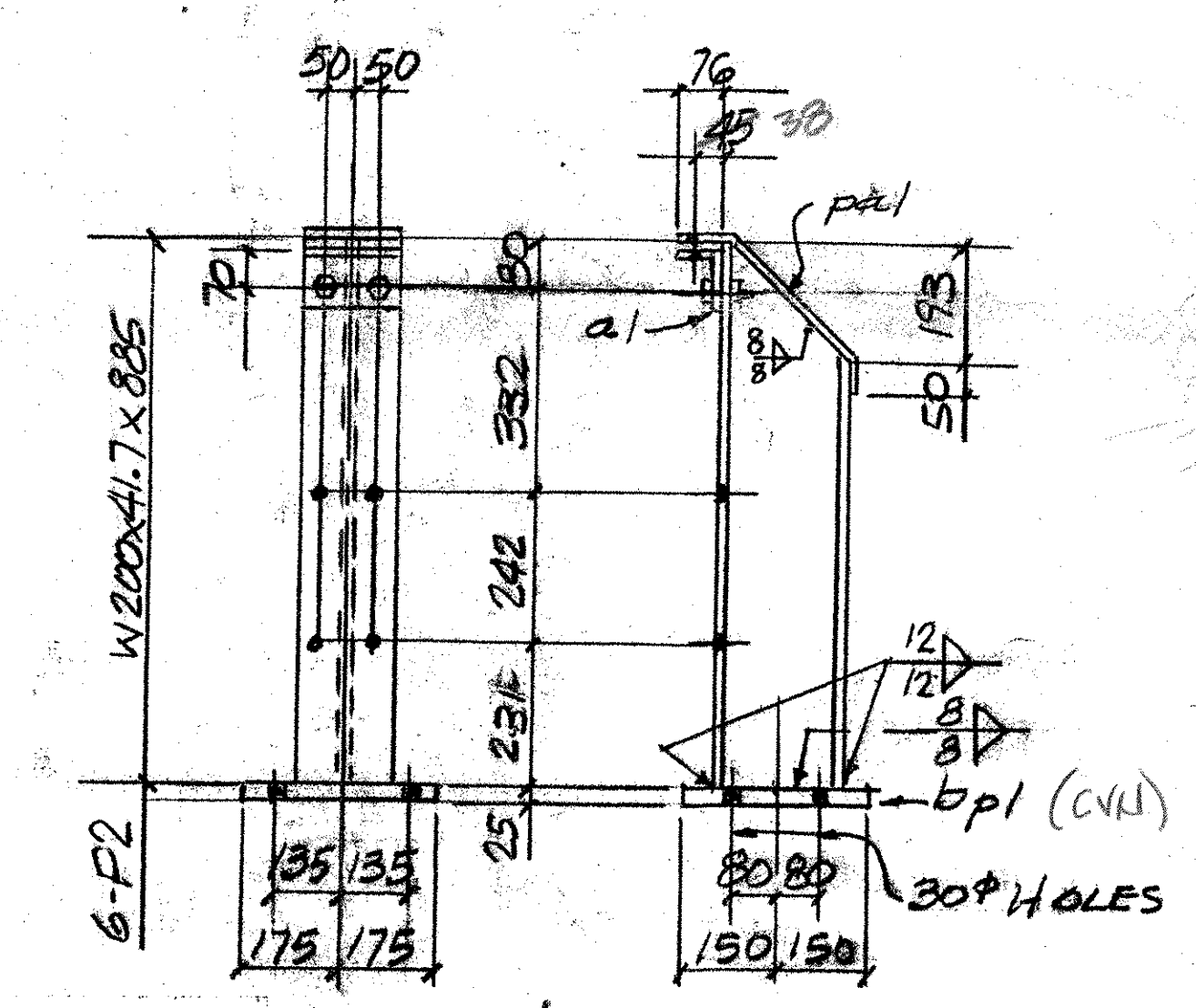
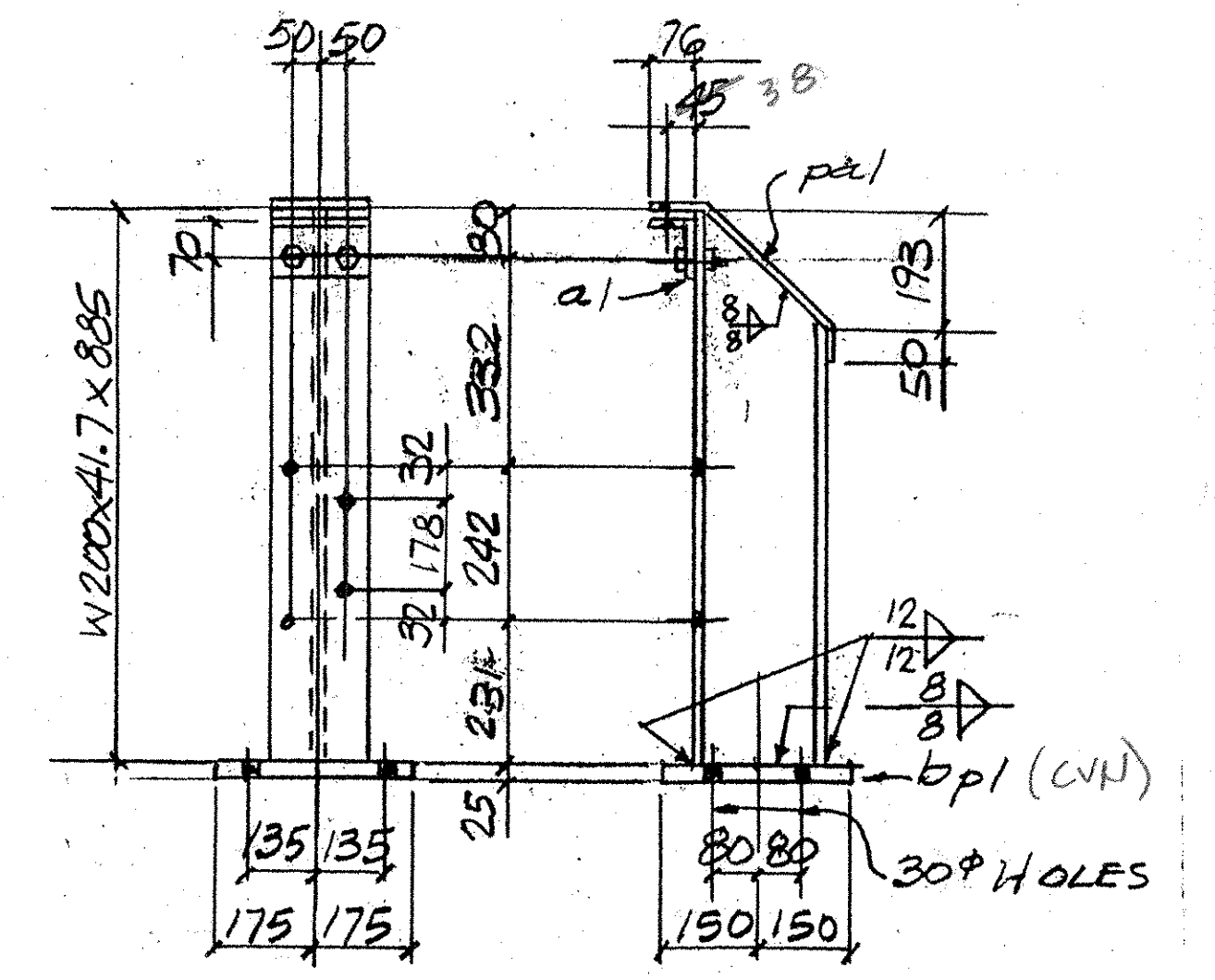


PAINT SYSTEM

Coat	Product System	Dry Film Thickness (in MILS)		Minimum Time Between Coats (Hours) @ 75° F	Minimum Application Temperatures (°F ambient)
		MIN.	MAX.		
P = Primer	MC-Zinc zinc rich urethane (organic)	3.0	6.0	4	35
I = Intermediate	MC-Ferrox B urethane	3.0	6.0	6	35
T = Top	MC-Ferrox A aliphatic urethane	3.0	10.0	-	35



ABM INFO		SHOP BILL			JOB NO.	DRG. NO.	
PAGE	LINE	NO.	DESCRIPTION	ASSEM. MARK	SHIPPING MARK	REMARKS	WEIGHT
	1		L102x76x9.5	8728	TU		
	1		Do	9324	TD	ROLLED	
	1		MC150x24.3	8752	BU		
	1		Do	9348	BD	ROLLED	
	2		L102x76x9.5		QU		
	2		Do		QD	ROLLED	
			120 M20 BOLTS	Q4	SWP	1/4\"/>	
	1		W200x41.7	885	PIR	A315-CVN	
	1		Do	885	PI4	Do	
	6		Do	885	P2	Do	
	8		R25x300	350	API	CVN	
	8		R25x166	427	API	BEND	
	8		L102x76x9.5	166	Q1		
	16		M20 BOLTS	Q4	SWP	1/4\"/>	
	36		M20 BOLTS	Q4	FIELD	1/4\"/>	
	18		Do	Q2	Do	Do	
	A2		R19x812	1050	API		
	8		ANG A33-y		AB1		
	8		R10x240	350	SPI		
	32		M24 THREADED STUDS	225		ASTM A307 CLASS B, B	
	64		M24 HEX NUTS			ASTM A193-NI	
	32		M24 JAM NUTS			Do	
	32		M24 H. WASH			ASTM A193-B1	
	8		PREFORMED PAD 3mm x 300	350	PPI	ASTM A307 CLASS B, B	

HARDWARE FOR ANCHORAGE ASSEMBLY AND ANCHORAGE PLATE TO BE CALIBRATED AFTER FABRICATION IN ACCORDANCE WITH AASHTO M 321/M 322

ALL EXPOSED CUT OR SHEARED EDGES SHALL BE ROUNDED TO A 1.6mm RADIUS AND BE FREE OF BURRS

RECEIVED
G. K. B. 2/10/04
JAN 23 2004
RESUBMIT APPROVED AS NOTED
BY DATE

PAY ITEM 523.31

OUT FOR APPROVAL	12604										
OUT FOR APPROVAL											
ISSUED TO SHOP											
FIELD & OFFICE											
REV.	REMARKS	DATE	DMN	CHK	APP	Q.A.	NO.	DIA.	LGT	TYPE	WASHER
	PROJECT NO. BHO-1442(25) STATE BRIDGE NO. 19 (BROOKLINE)										
	MATERIALS PER 1709-G-2001 ELECTRODES PER PROC. HOLES: 22 4 SHOP BOLTS: M20										
	SURFACE PREP. & PAINT: GALVANIZED AFTER FAB (ASTM A123) PAINTED GREEN-COLOR CHIP 14062 PER SECT. 513										
	DESCRIPTION: RAILS @ APPROACH SLAB										
	JOB: BRIDGE REHAB. BROOKLINE NEWFANE, VT.										
	CUSTOMER: RENAUD BROTHERS										
	CASCO BAY STEEL STRUCTURES, INC.										
	75 SPRING HILL ROAD SACO, MAINE 04072										
	PHONE (207) 282-7360 FAX (207) 282-1179										

PLANS DRAWN USING METRIC DIMENSIONS