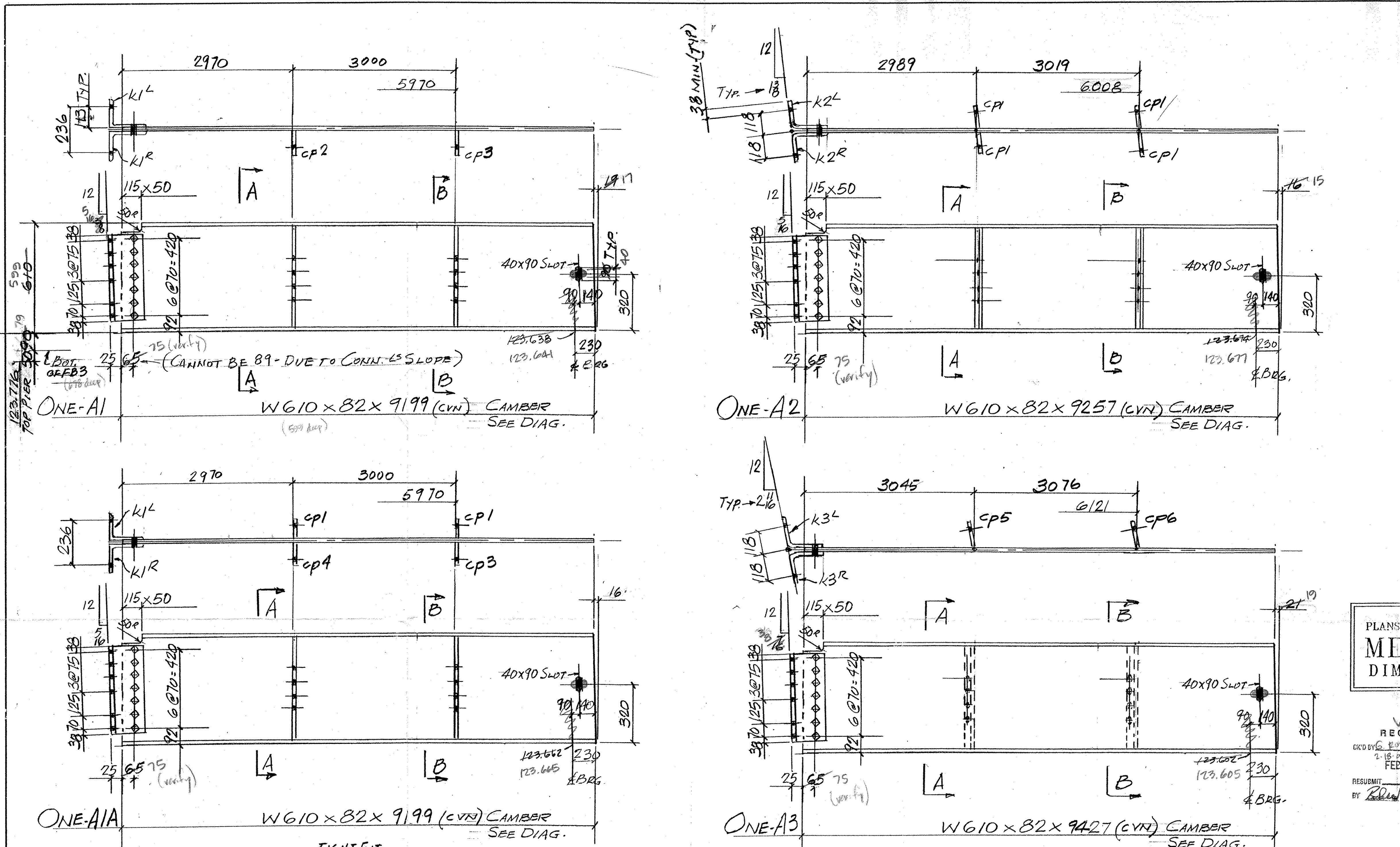


123.505 USED FOR ALL B.M.'s  
123.916



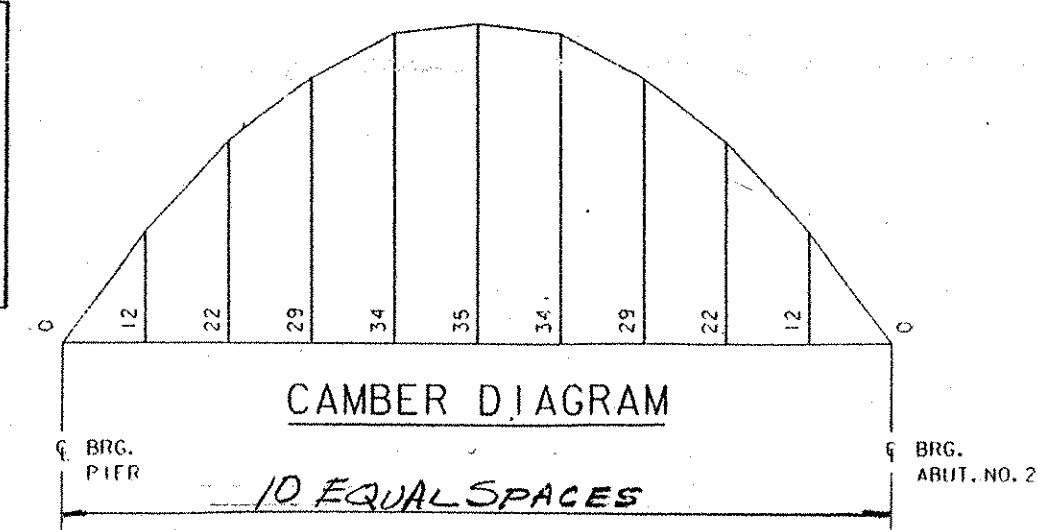
JOB NO. 208		DRG. NO. 53						
PAGE	LINE	NO.	DESCRIPTION	MT	ASSEM. MARK	SHIPPING MARK	REMARKS	WEIGHT
1	1	1	W610x82	9199	A1	C35 (C/N)		
1	2	2	L52x52x9.5	476	K1/2			
1	1	1	W610x82	9199	A1A	C35 (C/N)		
1	2	2	L52x52x9.5	476	K1/2			
1	1	1	W610x82	9257	A2	C35 (C/N)		
1	2	2	R9.5x300	496	K2/2			
1	1	1	W610x82	9427	A3	C35 (C/N)		
1	2	2	R9.5x300	496	K3/2			
6	1	1	R13x130	574	CP1			
1	2	2		574	CP2			
1	1	1		574	CP3			
1	1	1		574	CP4			
1	1	1		574	CP5			
1	1	1		574	CP6			
28	1	1	M22 BOLTS	64	SHOP			
48	1	1	M22 BOLTS	57	FIELD			
4	1	1	R6x250	620	EPI			

ALL BOLTS (SHOP & FIELD) TO BE AASHTO M164-TYPE 1 GALV

2	C380x50	1617	D1
1	Do	1957	D2
1	Do	2297	D3
1	Do	1956	D4
1	Do	2296	D5

PAY ITEM 506.50: A1, A1A, A2, A3  
PAY ITEM 506.60: ALL OTHER STEEL

PLANS DRAWN USING  
**METRIC**  
DIMENSIONS



RECEIVED  
BY: [Signature]  
DATE: FEB 12 2004

OUT FOR APPROVAL	2-4-04								
OUT FOR APPROVAL FIELD	2-6-04								
ISSUED TO SHOP									
FIELD & OFFICE									

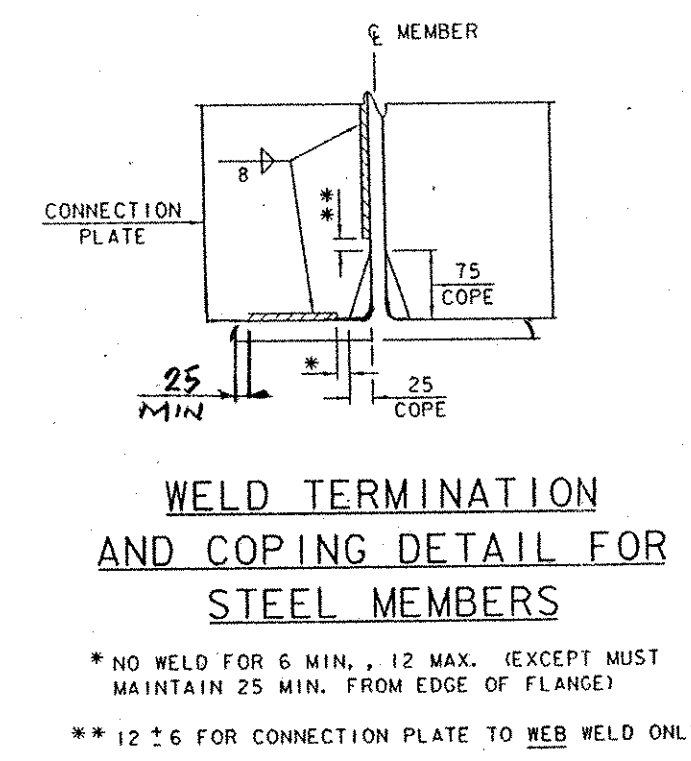
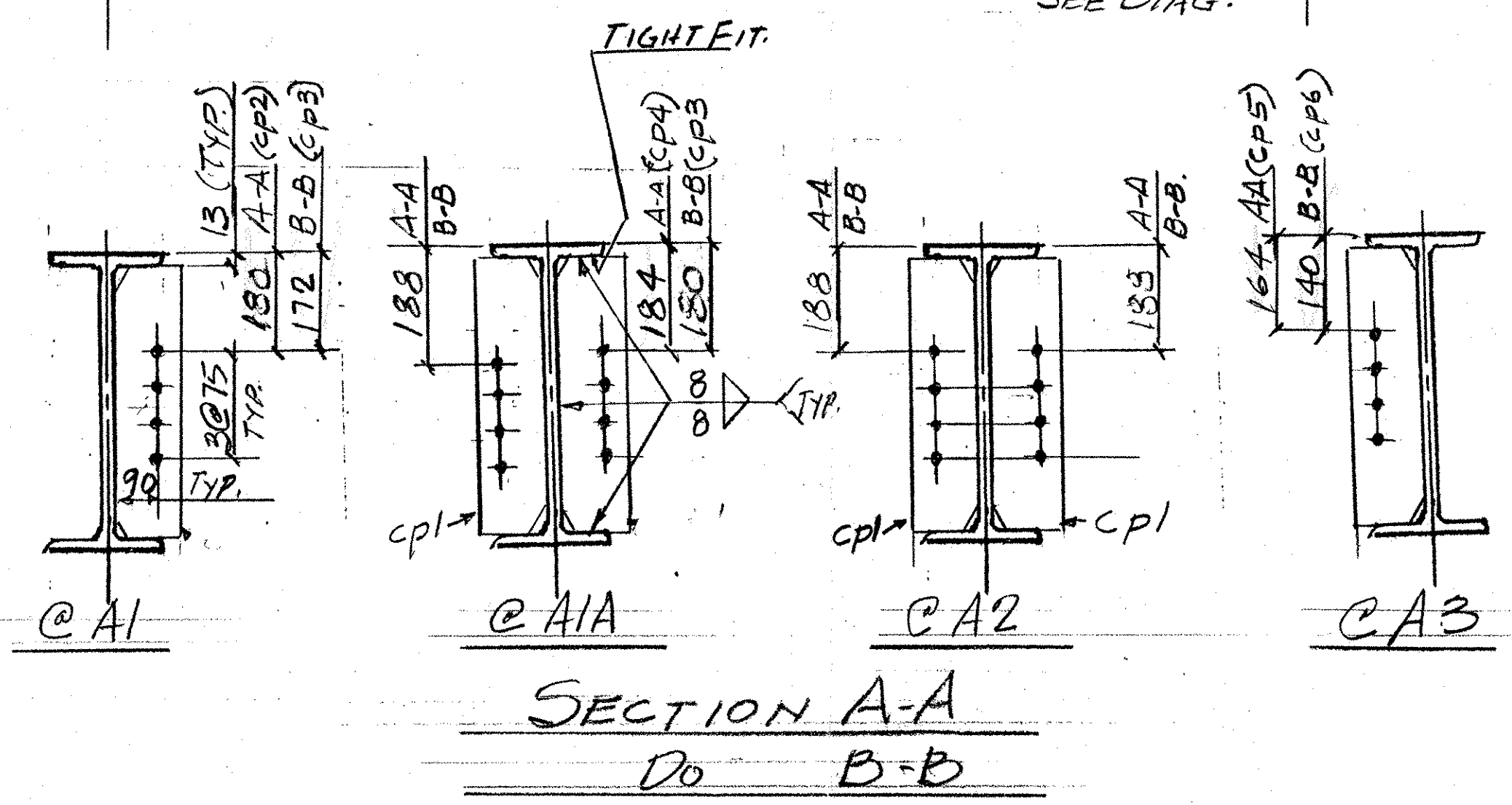
REV.	REMARKS	DATE	DWN	CHK	APP	Q.A.	NO.	DIA.	LGT	TYPE	WASHER
2-D1	C380x50x1617										
ONE-D2	Do x1957										
ONE-D3	Do x2297										
ONE-D4	Do x1956										
ONE-D5	Do x2296										

PROJECT NO. BHO-1442 (25) STATE BRIDGE NO. 19 (BROOKLINE)  
MATERIAL: AASHTO M177-68-24 ELECTRODES PER PROC. HOLES: 24.9 UN. SHOP BOLTS: AASHTO M193-99  
SURFACE PREP. & PAINT: PREP: SSPC-SP-10 3-COAT SYSTEM C  
PRIMER - WASSER - MC ZINC  
INTERMEDIATE - WASSER - MC FERROX B  
TOP COAT - WASSER - MC LUSTER GREENED CHIP 14012

DESCRIPTION: STRINGERS-APPROACH SPAN  
JOB: BRIDGE REHAB.  
BROOKLINE-NEWFAIR, VT.  
DRAWN BY: JPF 12-03  
CHKD BY:  
APPROV BY:  
Q.A.

CUSTOMER: RENAUD BROTHERS  
CASCO BAY STEEL STRUCTURES, INC.  
75 SPRING HILL ROAD SACO, MAINE 04072  
PHONE (207) 282-7360 FAX. (207) 282-1179

JOB NO. 208 DRG. NO. 53  
REV. Δ



2-D1	C380x50x1617	1577	40
ONE-D2	Do x1957	1917	55
ONE-D3	Do x2297	2257	55
ONE-D4	Do x1956	1916	55
ONE-D5	Do x2296	2256	55