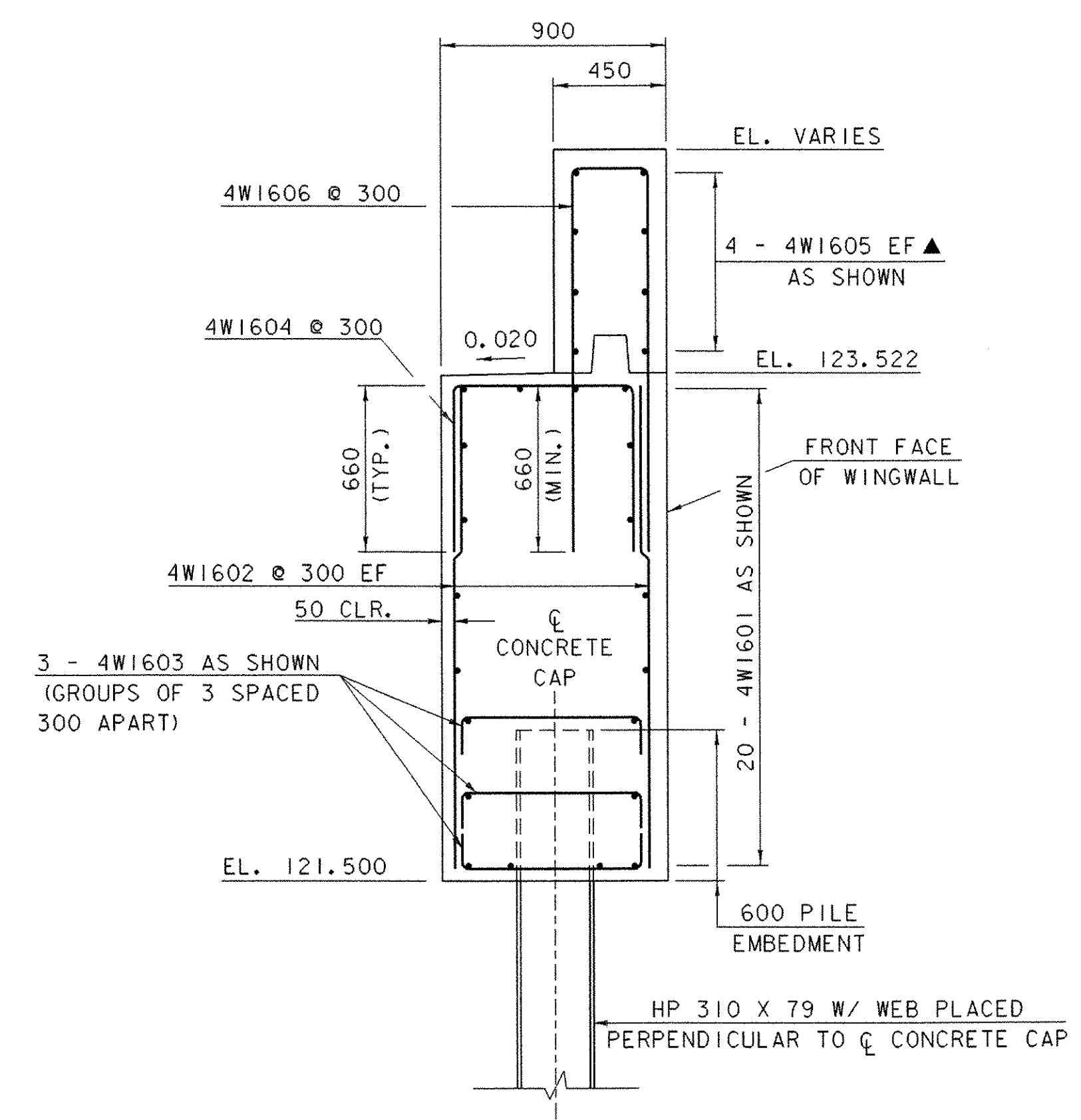
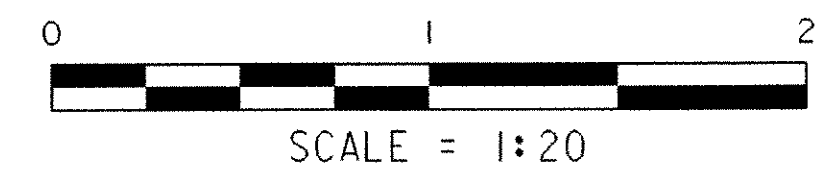
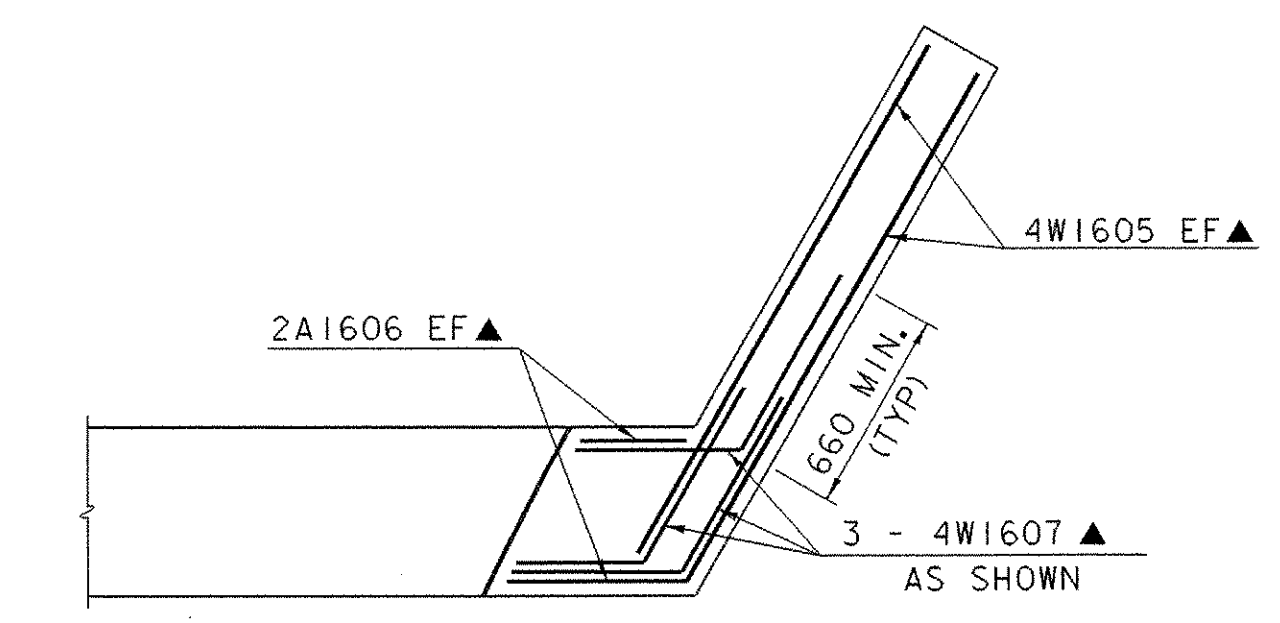
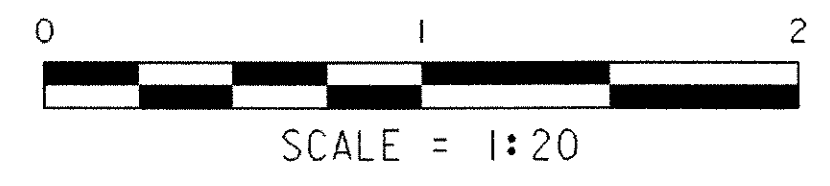


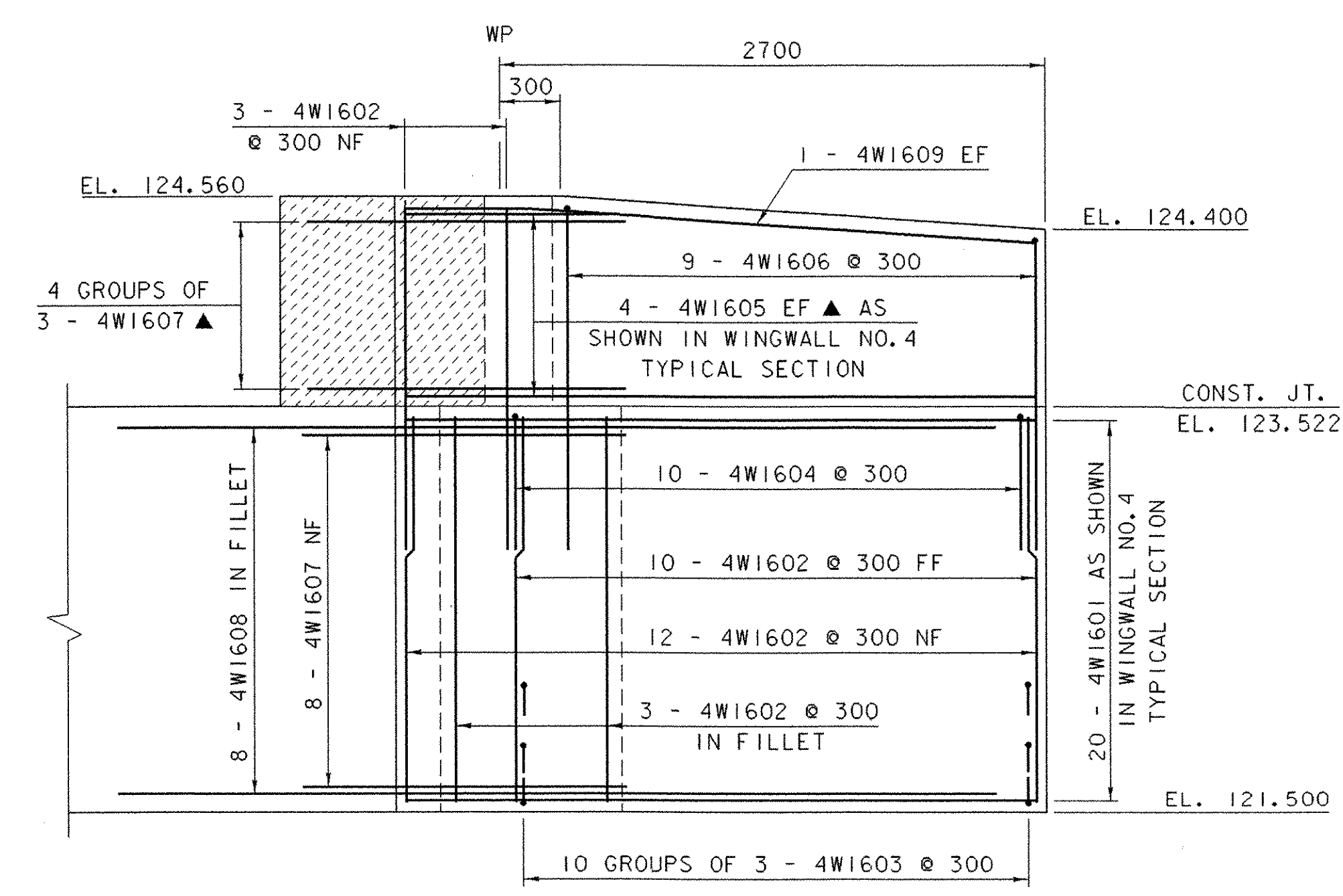
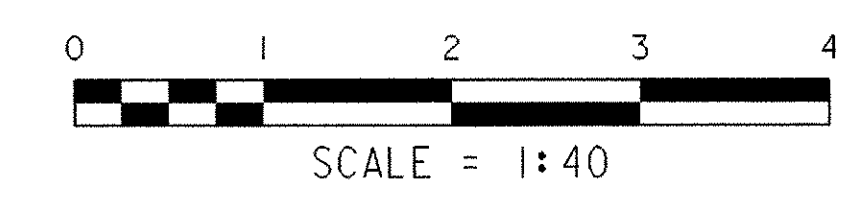
WINGWALL NO. 3 TYPICAL SECTION



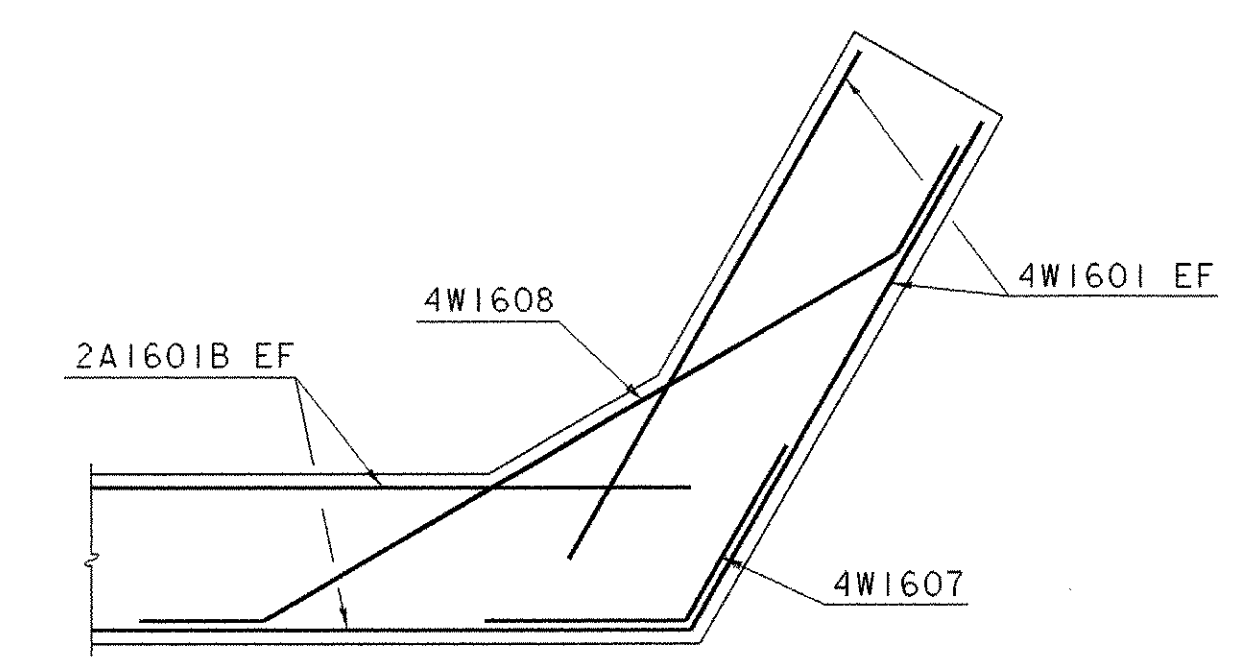
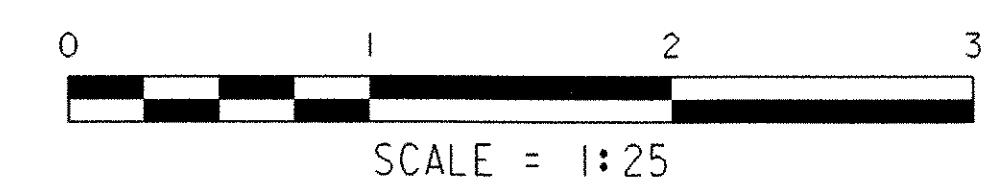
WINGWALL NO. 4 TYPICAL SECTION



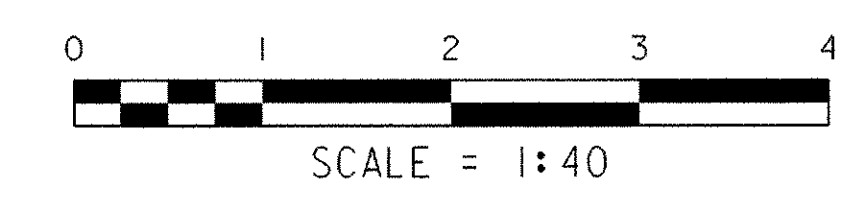
WINGWALL NO. 4  
CORNER REINFORCING DETAIL  
ABOVE BRIDGE SEAT



WINGWALL NO. 4 ELEVATION



WINGWALL NO. 4  
CORNER REINFORCING DETAIL  
BELOW BRIDGE SEAT



ABUTMENT NO. 2 DETAILS (2)

**NOTE:**  
 NF = NEAR FACE  
 FF = FAR FACE  
 EF = EACH FACE  
 ▲ = CUT TO FIT IN FIELD  
 80 CLR. UNLESS OTHERWISE SPECIFIED ON THE PLANS.

PROJECT NAME:	BROOKLINE NEWFANE
PROJECT NUMBER:	BHO 1442 (25)
FILE NAME:	95j278\Structures\sj278ww2.i
PROJECT MANAGER:	R. WHITCOMB
DESIGNED BY:	M. LOZIER
PLOT DATE:	26-JUN-2003
DRAWN BY:	L. BULLOCK
CHECKED BY:	M. LOZIER
SHEET	46 OF 78