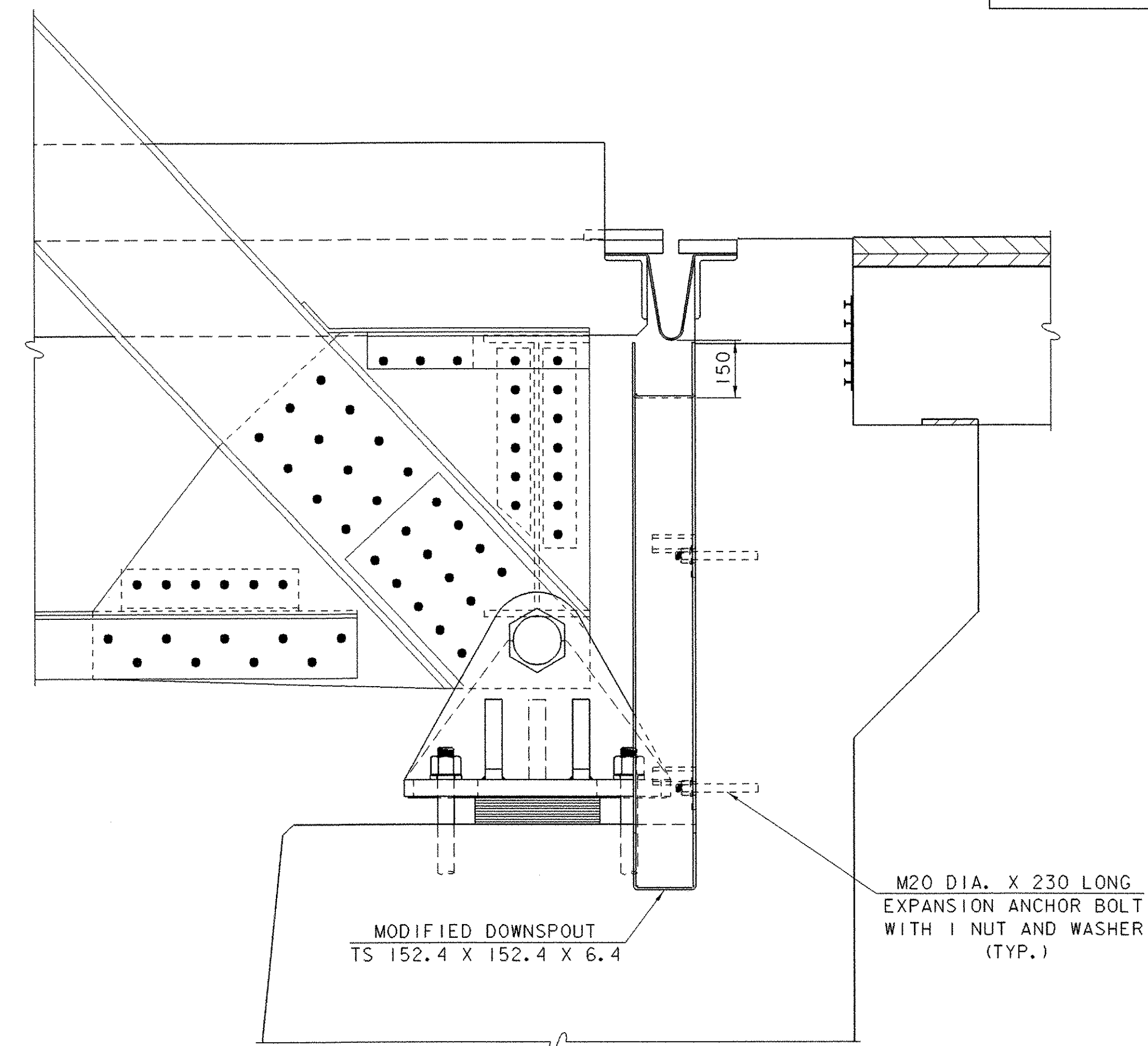
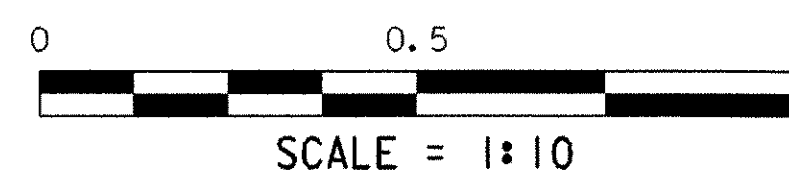
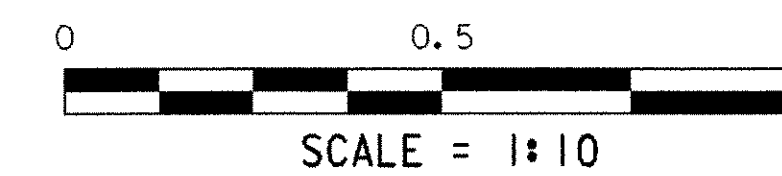


DOWNSPOUT FRONT ELEVATION

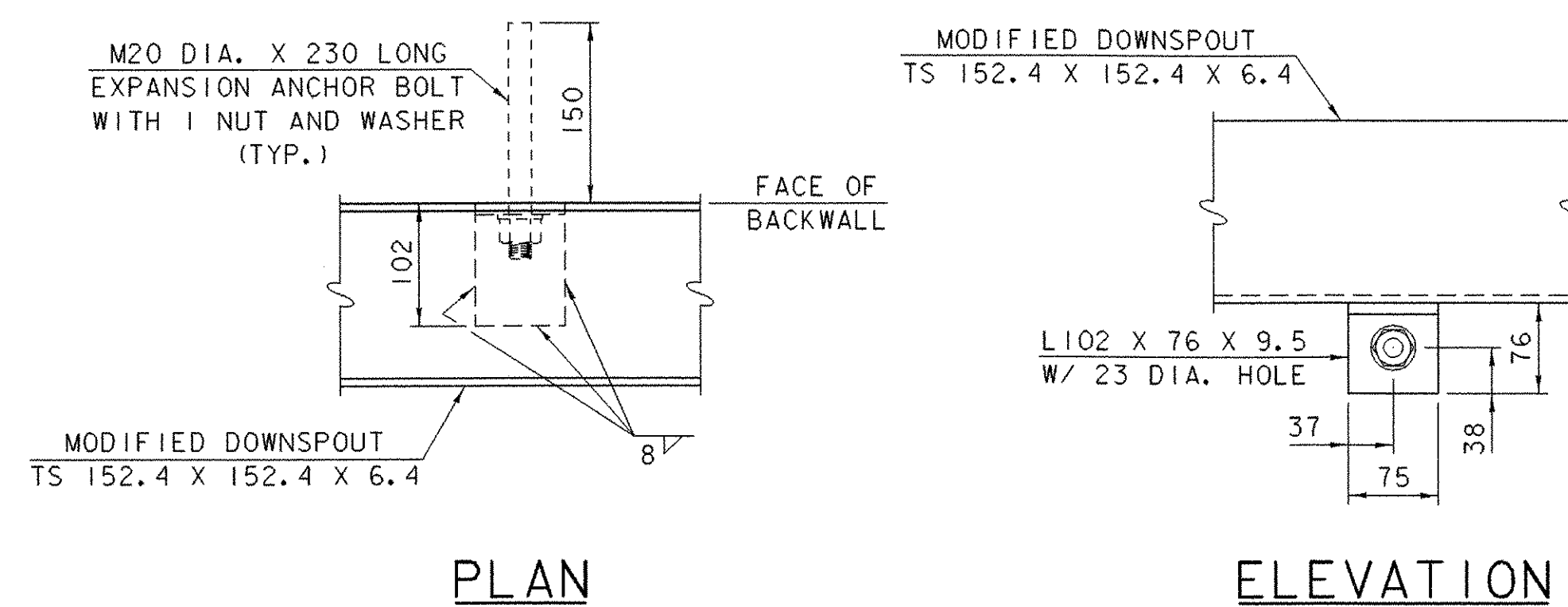


DOWNSPOUT SIDE ELEVATION

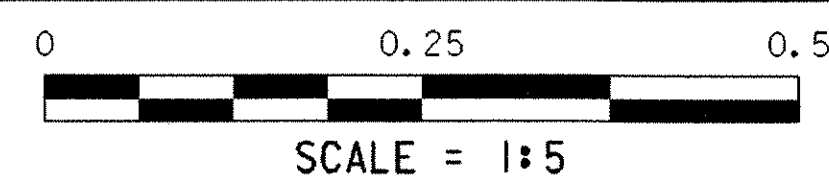


DOWNSPOUT NOTES

1. HOLLOW STRUCTURAL STEEL TUBING SHALL CONFORM TO ASTM A500 OR A501.
2. ALL PLATES, BARS, AND ANGLES SHALL CONFORM TO AASHTO M270M/M270 GRADE 250.
3. THE DOWNSPOUT SHALL BE GALVANIZED IN ACCORDANCE WITH AASHTO M111M/M111 AFTER FABRICATION.
4. ALL BOLTS AND RELATED HARDWARE SHALL BE ASTM F568M, CLASS 4.6 AND SHALL BE GALVANIZED IN ACCORDANCE WITH AASHTO M232M/M232.
5. ANY PLACE WHERE GALVANIZING HAS BEEN REMOVED FROM THE DOWNSPOUT EITHER BY CUTTING, BURNING, WELDING, PLACING, OR ANY OTHER MEANS, REPAIRS SHALL BE MADE IN ACCORDANCE WITH AASHTO M36.
6. THE DOWNSPOUT, MOUNTING BRACKETS, ALL ANCHOR BOLTS WITH RELATED HARDWARE, AND INSTALLATION SHALL BE PAID FOR UNDER ITEM 506.60, "STRUCTURAL STEEL".



DOWNSPOUT MOUNTING BRACKET DETAILS



DOWNSPOUT DETAILS

PROJECT NAME:	BROOKLINE NEWFANE
PROJECT NUMBER:	BHO 1442 (25)
FILE NAME:	951278\Structures\sj278dsd.i
PROJECT MANAGER:	R. WHITCOMB
DESIGNED BY:	G. ROY
PLOT DATE:	26-JUN-2003
DRAWN BY:	G. ROY
CHECKED BY:	M. LOZIER
SHEET	39 OF 78