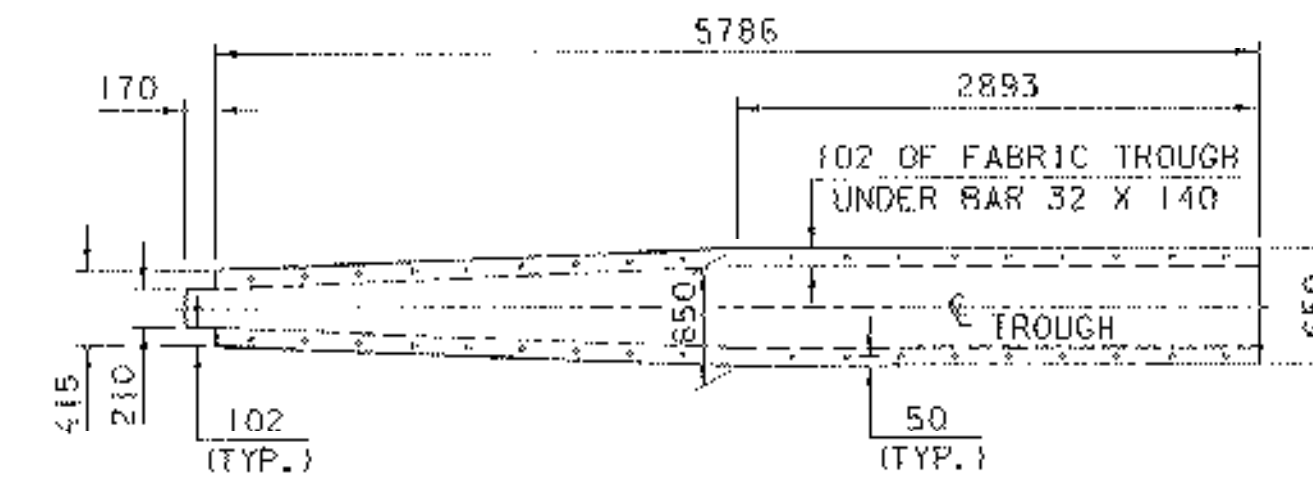
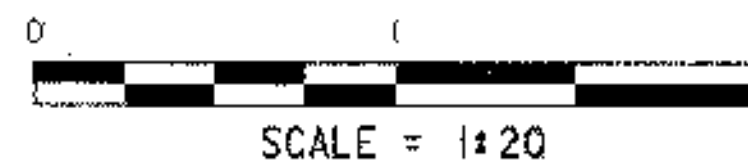
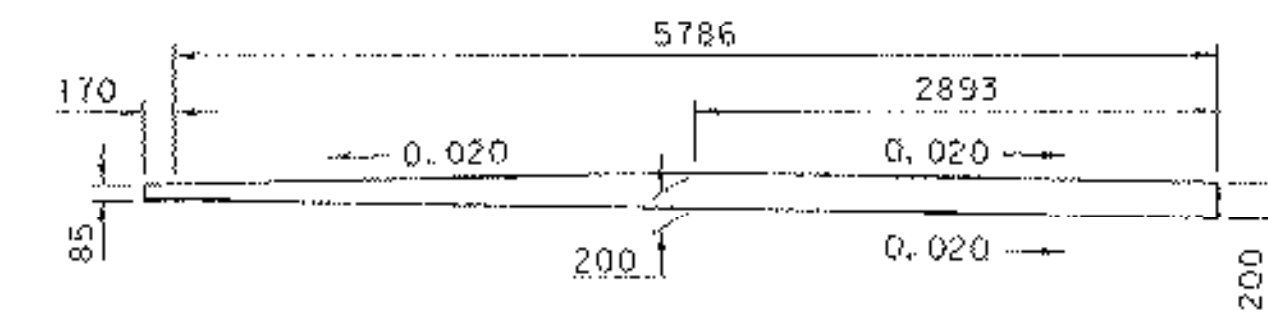
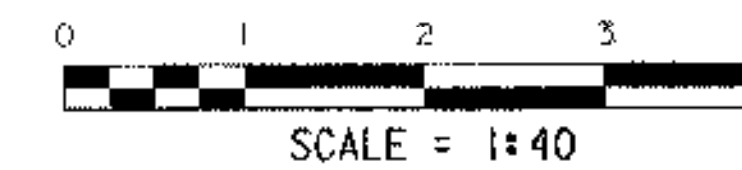


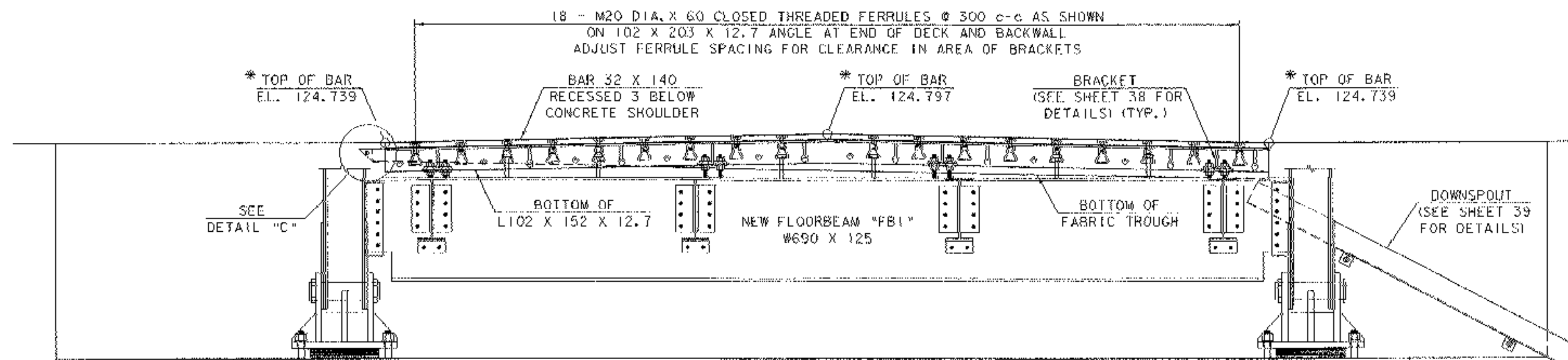
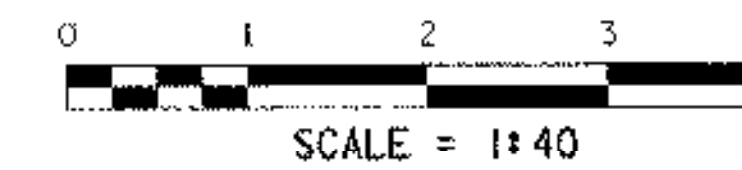
EXPANSION JOINT PLAN AT ABUTMENT NO. 1



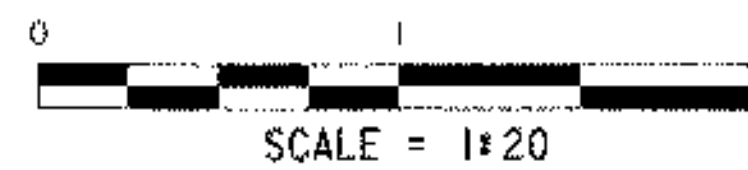
FABRIC TROUGH PLAN VIEW



FABRIC TROUGH ELEVATION VIEW

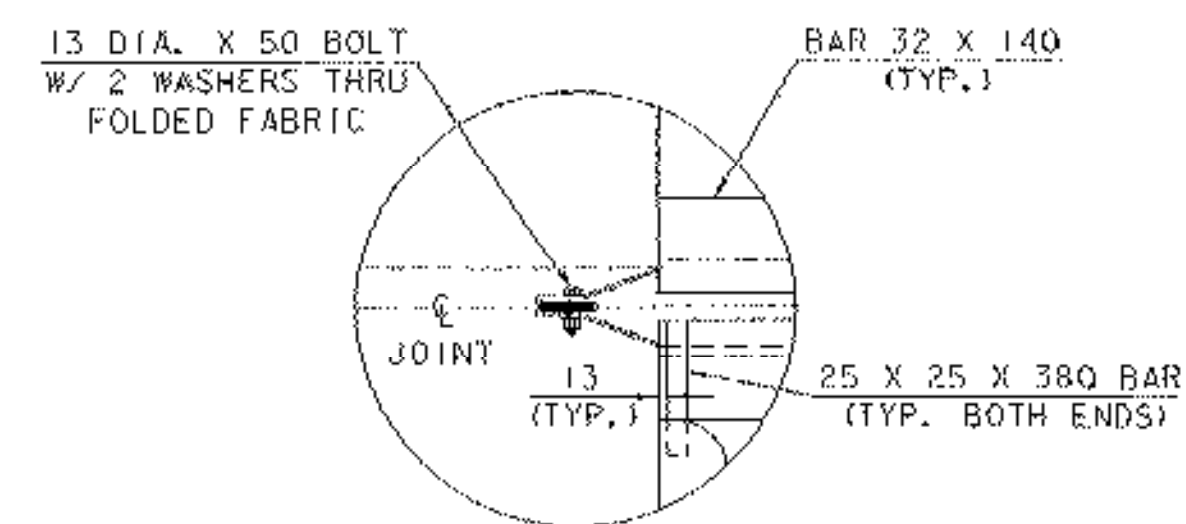


VIEW "A-A"

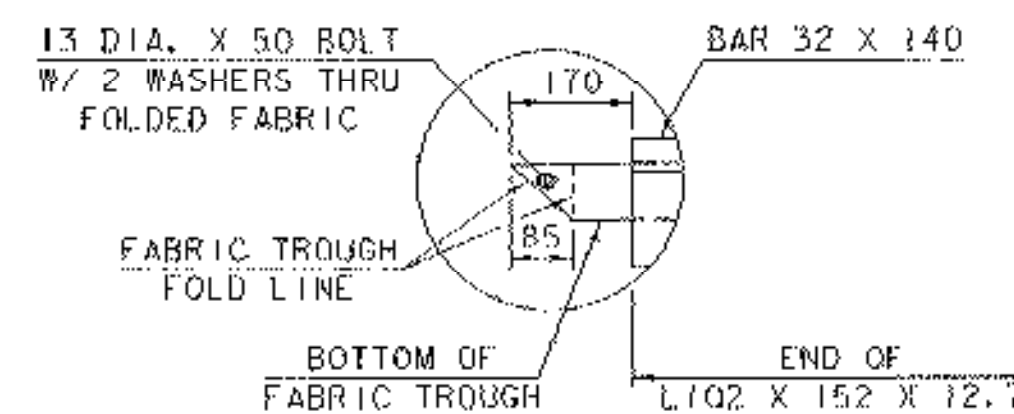


\* THEORETICAL ELEVATION AT CENTER OF JOINT TO BE VERIFIED IN THE FIELD AFTER STRUCTURAL STEEL HAS BEEN SET.

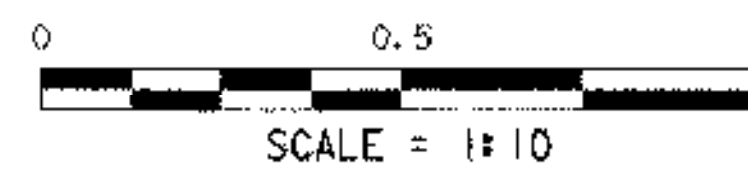
2.4 M DOWNSPOUT EXTENSION TO EXTEND BEYOND FOOTING



PLAN



ELEVATION



EXPANSION JOINT PLAN

PROJECT NAME:	BROOKLINE NEWFANE
PROJECT NUMBER:	BHO 1442 (25)
FILE NAME:	95j278\Structures\sj278e.plt
PROJECT MANAGER:	R. WINTCOMB
DESIGNED BY:	G. ROY
PLOT DATE:	26-JUN-2003
DRAWN BY:	G. ROY
CHECKED BY:	M. LOZIER
	SHEET 37 OF 78