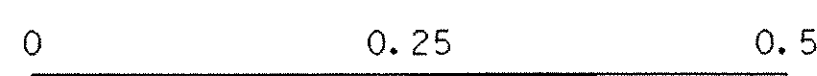
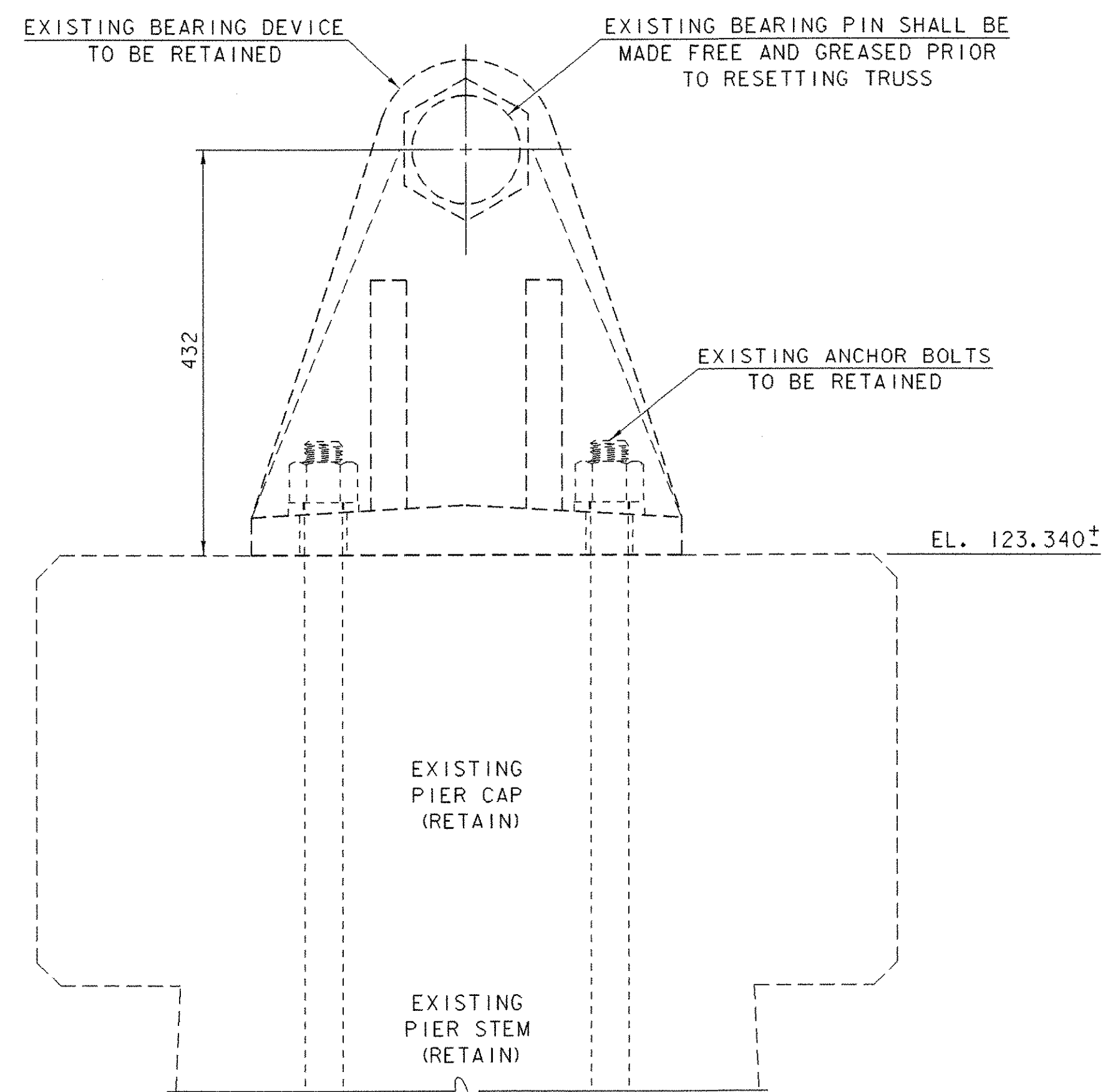


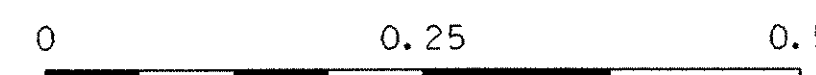
**PLAN**



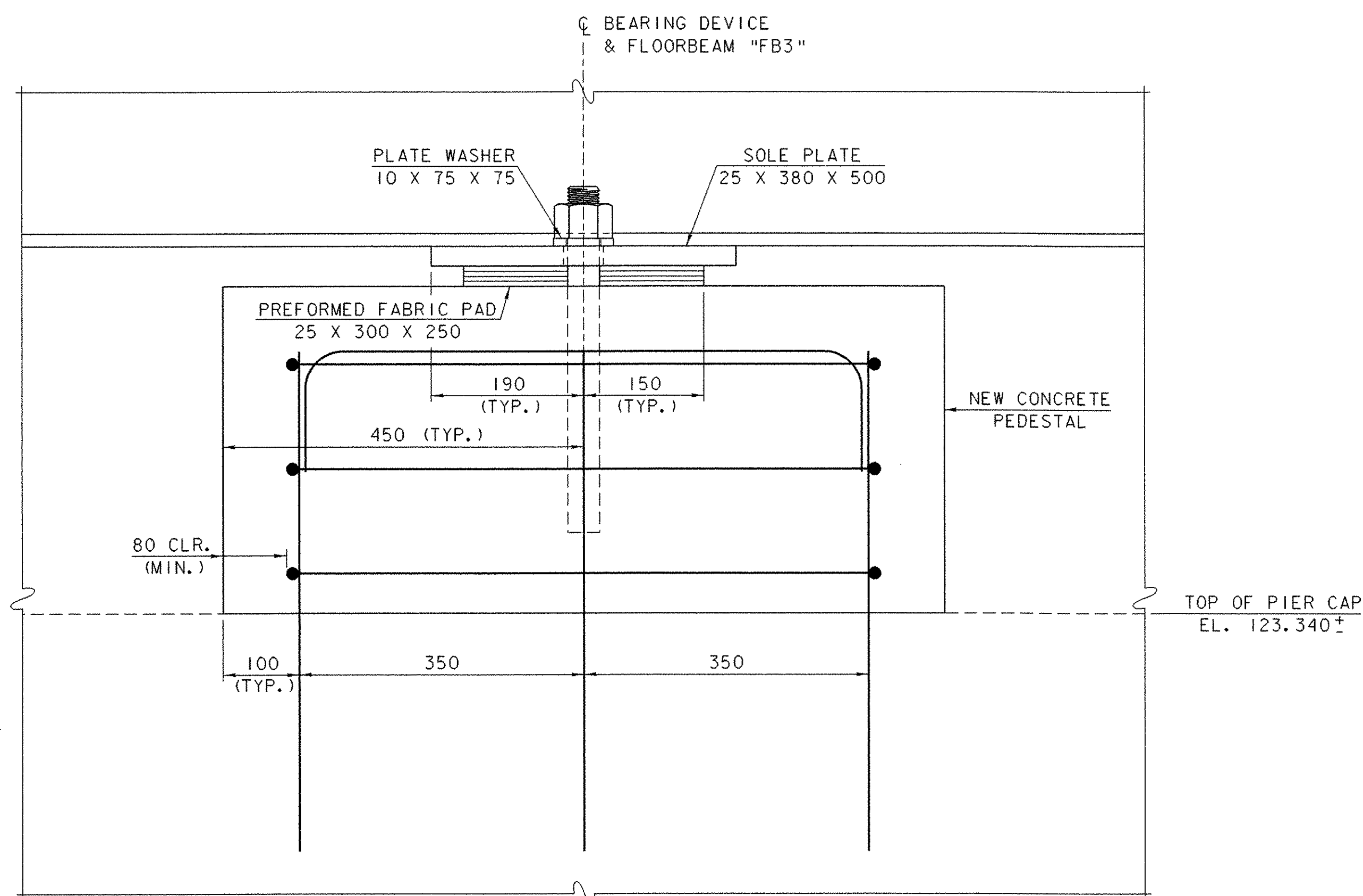
SCALE = 1:5



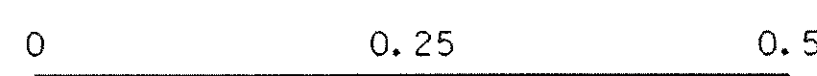
**TRUSS BEARING AT PIER**



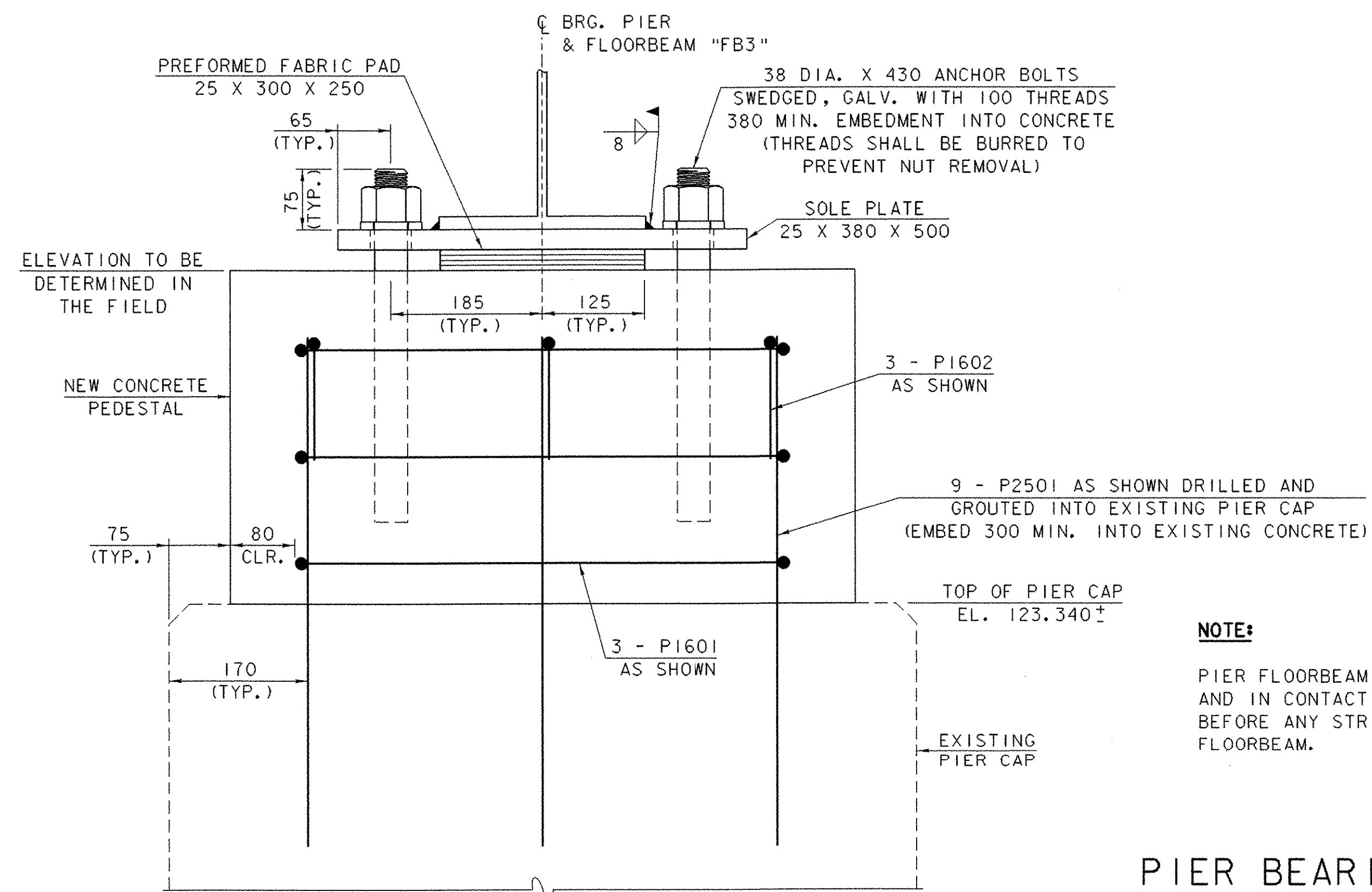
SCALE = 1:5



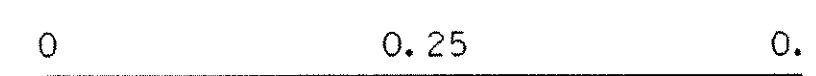
**FRONT ELEVATION**



SCALE = 1:5



**SIDE ELEVATION**



SCALE = 1:5

**NOTE:**

PIER FLOORBEAM "FB3" SHALL BE INSTALLED AND IN CONTACT WITH THE BEARING SOLE PLATE BEFORE ANY STRINGERS ARE ATTACHED TO THE FLOORBEAM.

**PIER BEARING DETAILS**

PROJECT NAME:	BROOKLINE NEWFANE
PROJECT NUMBER:	BHO 1442 (25)
FILE NAME:	951278\Structures\sj278pbd.1
PROJECT MANAGER:	R. WHITCOMB
DESIGNED BY:	M. LOZIER
PLOT DATE:	26-JUN-2003
DRAWN BY:	G. ROY
CHECKED BY:	M. LOZIER
SHEET	35 OF 78