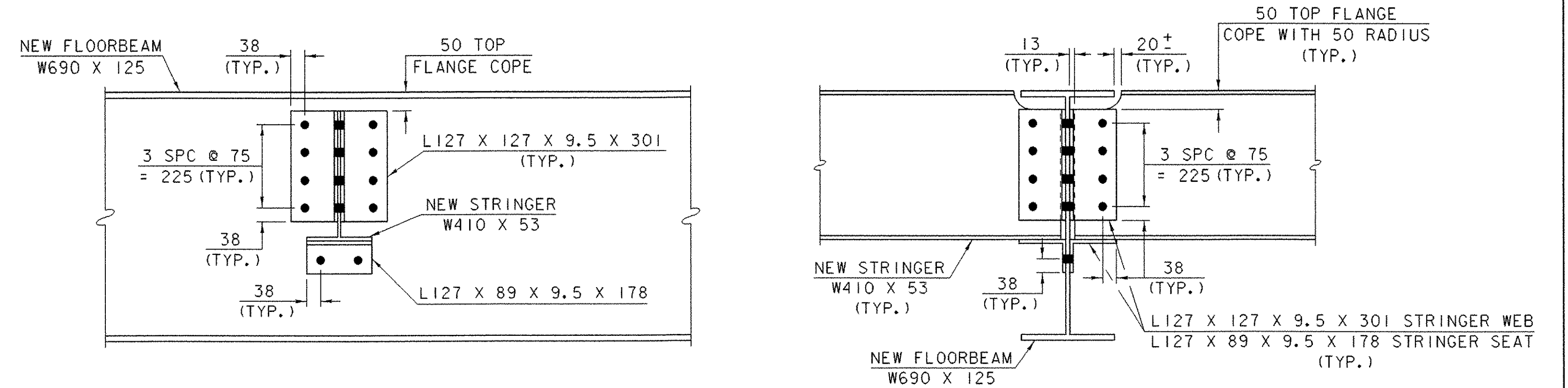
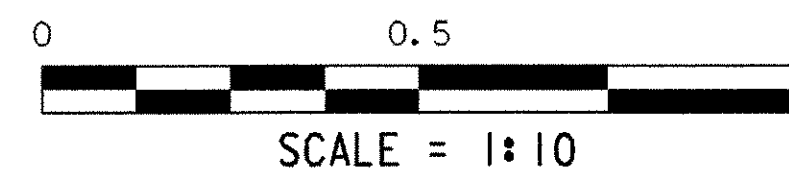


FLOORBEAM ELEVATION

STRINGER ELEVATION

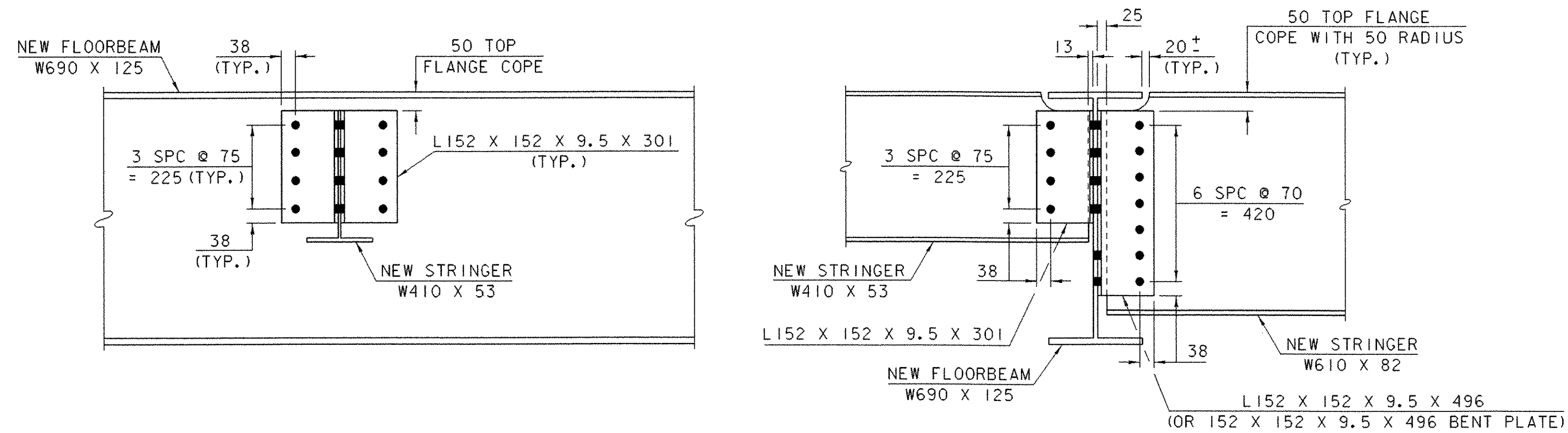
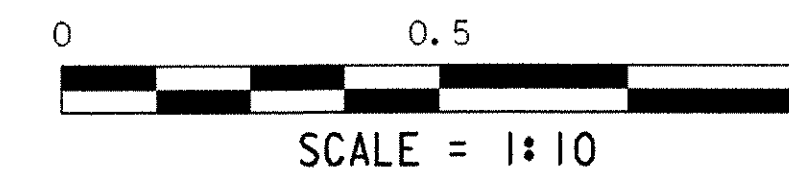
STRINGER TO FLOORBEAM "FBI" CONNECTION



FLOORBEAM ELEVATION

STRINGER ELEVATION

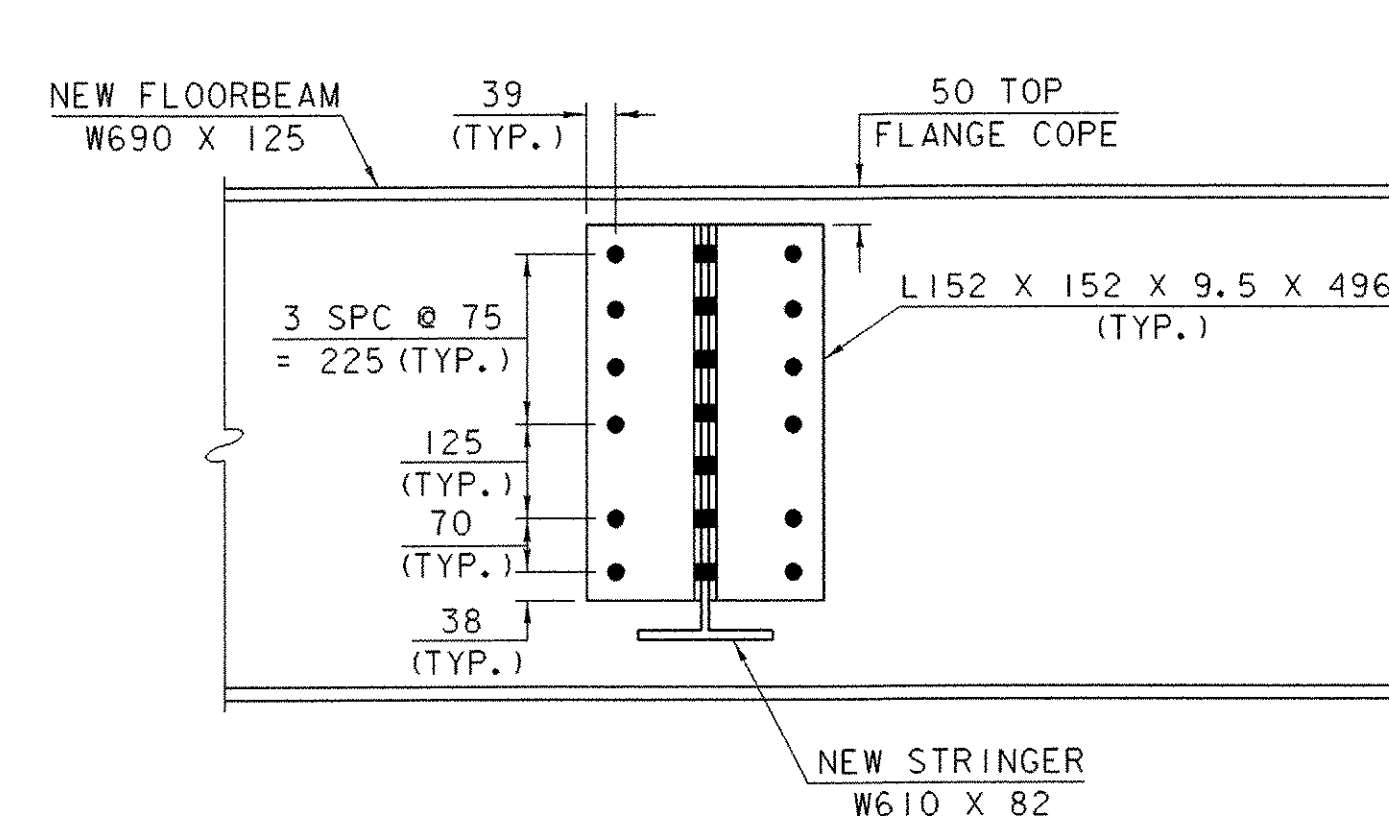
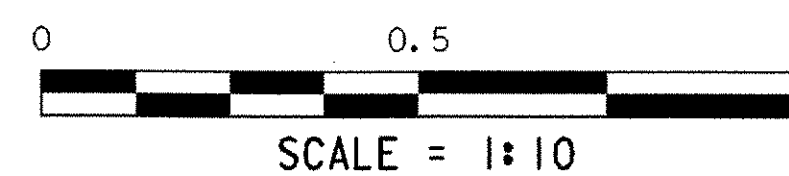
STRINGER TO FLOORBEAM "FB2" CONNECTION



FLOORBEAM ELEVATION

STRINGER ELEVATION

STRINGER TO FLOORBEAM "FB3" CONNECTION



FLOORBEAM ELEVATION

STRINGER TO FLOORBEAM CONNECTION DETAILS

NOTES:

- UNLESS OTHERWISE NOTED, HOLES ARE 24 DIA. FOR AASHTO M164M M22 DIA. HIGH-STRENGTH BOLTS.
- CVN - SHALL MEET CHARPY V-NOTCH REQUIREMENTS FOR MAIN MEMBERS AS INDICATED IN SECTION 714 OF STANDARD SPECIFICATIONS.

PROJECT NAME:	BROOKLINE NEWFANE
PROJECT NUMBER:	BHO 1442 (25)
FILE NAME:	95j278\Structures\sj278sfcd.i
PLOT DATE:	26-JUN-2003
PROJECT MANAGER:	R. WHITCOMB
DRAWN BY:	G. ROY
DESIGNED BY:	M. LOZIER
CHECKED BY:	M. LOZIER
SHEET	33 OF 78