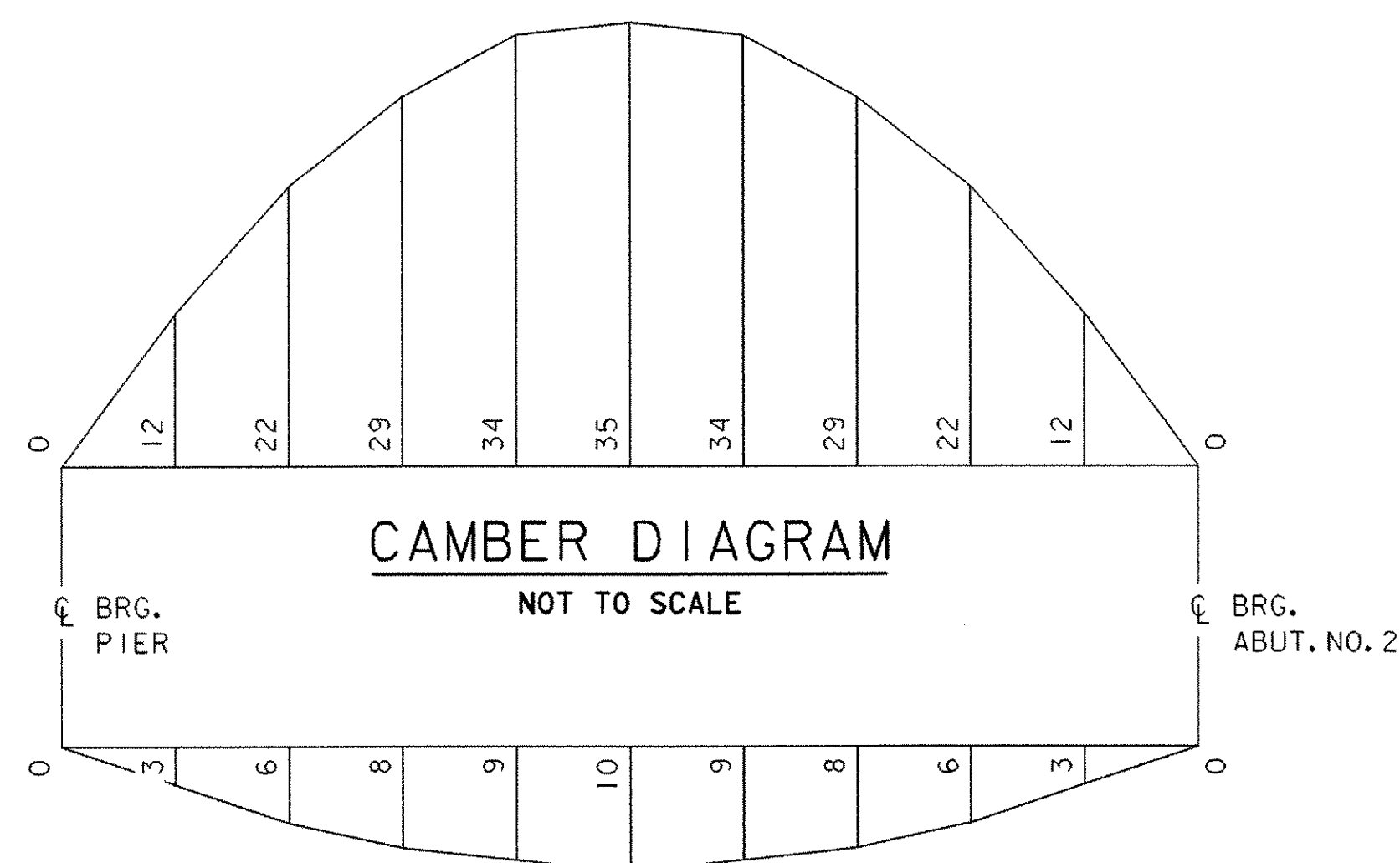


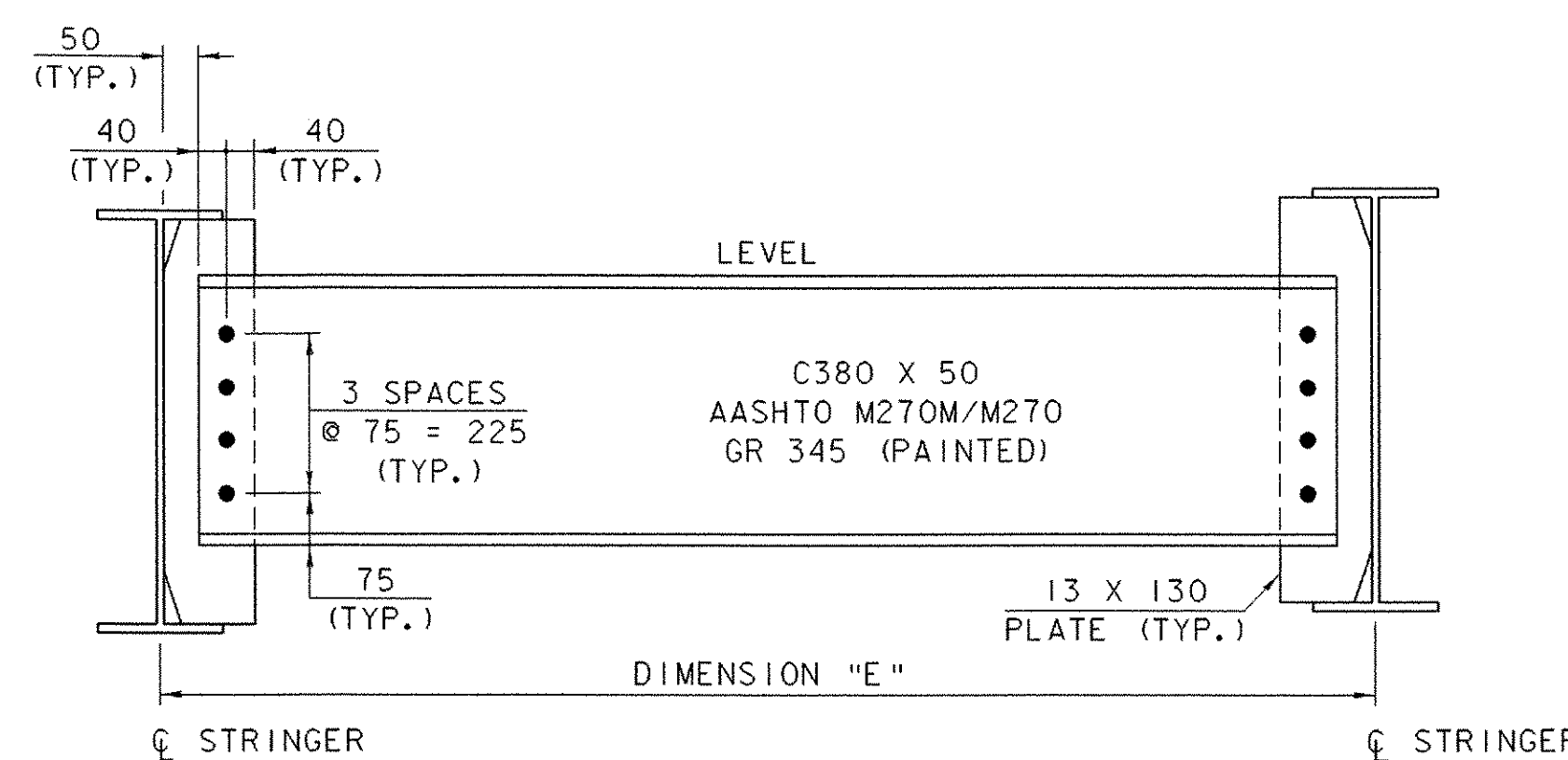
APPROACH SPAN STRINGER ELEVATION



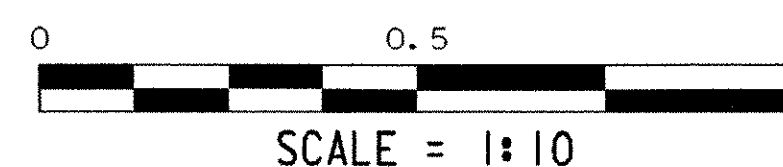
DEAD LOAD DEFLECTION DIAGRAM

NOTE TO SCALE

NOTE: CAMBER AND DEFLECTION MEASUREMENTS ARE GIVEN IN MILLIMETERS AT TENTH POINTS. MEASUREMENTS INCLUDE BEAM SELF-WEIGHT.



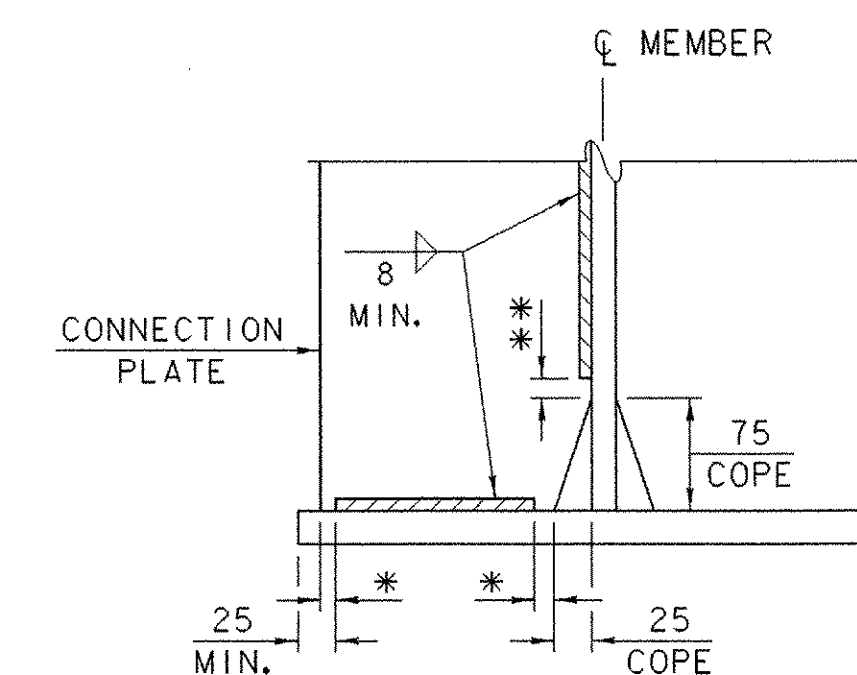
INTERMEDIATE DIAPHRAGM



NOTES:

- UNLESS OTHERWISE NOTED, HOLES ARE 24 DIA. FOR AASHTO M164M M22 DIA. HIGH-STRENGTH BOLTS.
- CVN - SHALL MEET CHARPY V-NOTCH REQUIREMENTS FOR MAIN MEMBERS AS INDICATED IN SECTION 714 OF STANDARD SPECIFICATIONS.

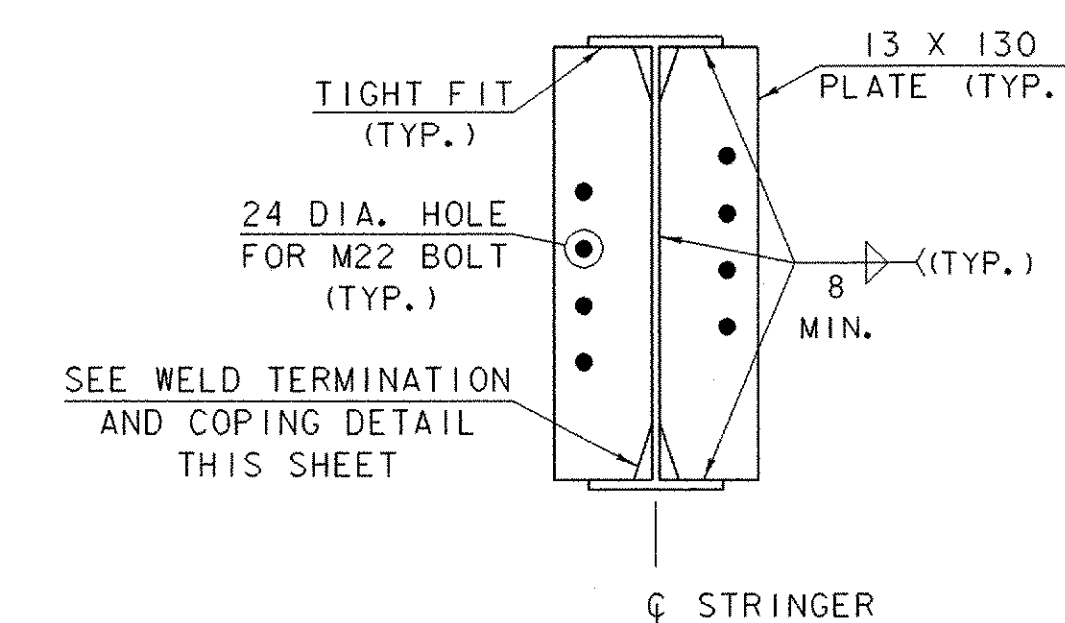
APPROACH SPAN STRINGER DIMENSIONS					22 DIA. X 150 STUDS		
STR. NO.	DIM. "A"	DIM. "B"	DIM. "C"	DIM. "D"	SPACING	NUMBER OF STUDS/ROW	NUMBER OF STUDS/STR.
A1	9000	9199	2970	3000	59 ϕ 150	60	120
A2	9058	9257	2989	3019	59 ϕ 150	60	120
A3	9228	9427	3045	3076	60 ϕ 150	61	122



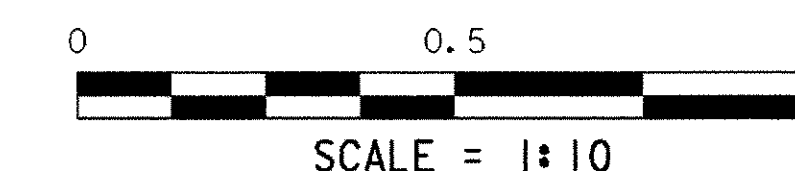
WELD TERMINATION AND COPING DETAIL FOR STEEL MEMBERS

* NO WELD FOR 6 MIN., 12 MAX. (EXCEPT MUST MAINTAIN 25 MIN. FROM EDGE OF FLANGE)

** 12 \pm 6 FOR CONNECTION PLATE TO WEB WELD ONLY.



INTERMEDIATE DIAPHRAGM CONNECTION PLATE



APPROACH SPAN STRINGER DETAILS

PROJECT NAME: BROOKLINE NEWFANE
PROJECT NUMBER: BHO 1442 (25)

FILE NAME: 951278\Structures\sj278assd.i PLOT DATE: 26-JUN-2003
PROJECT MANAGER: R. WHITCOMB DRAWN BY: G. ROY
DESIGNED BY: S. SCRIBNER CHECKED BY: M. LOZIER
SHEET 31 OF 78