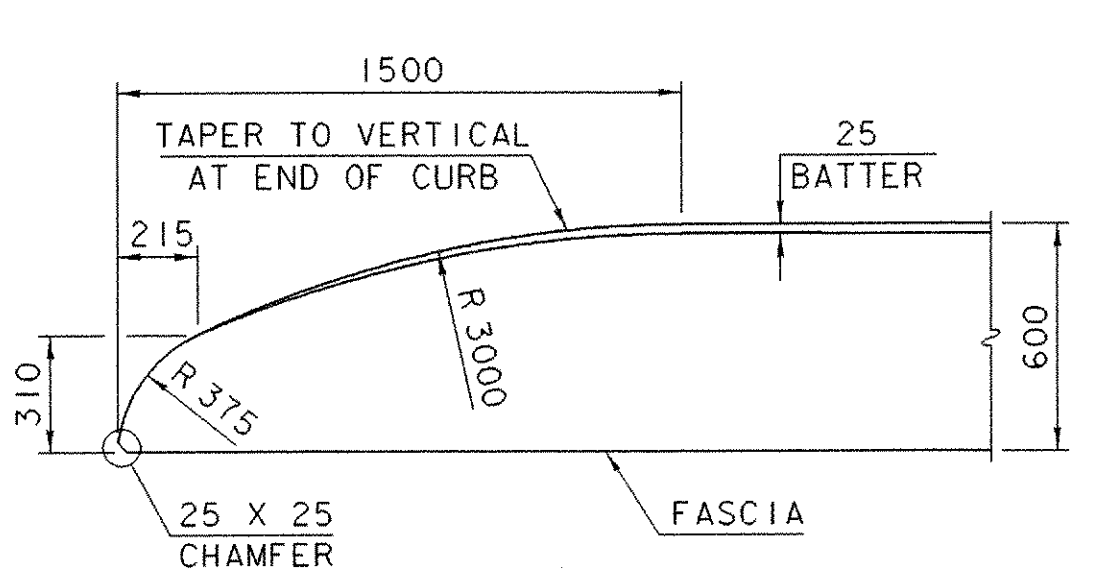
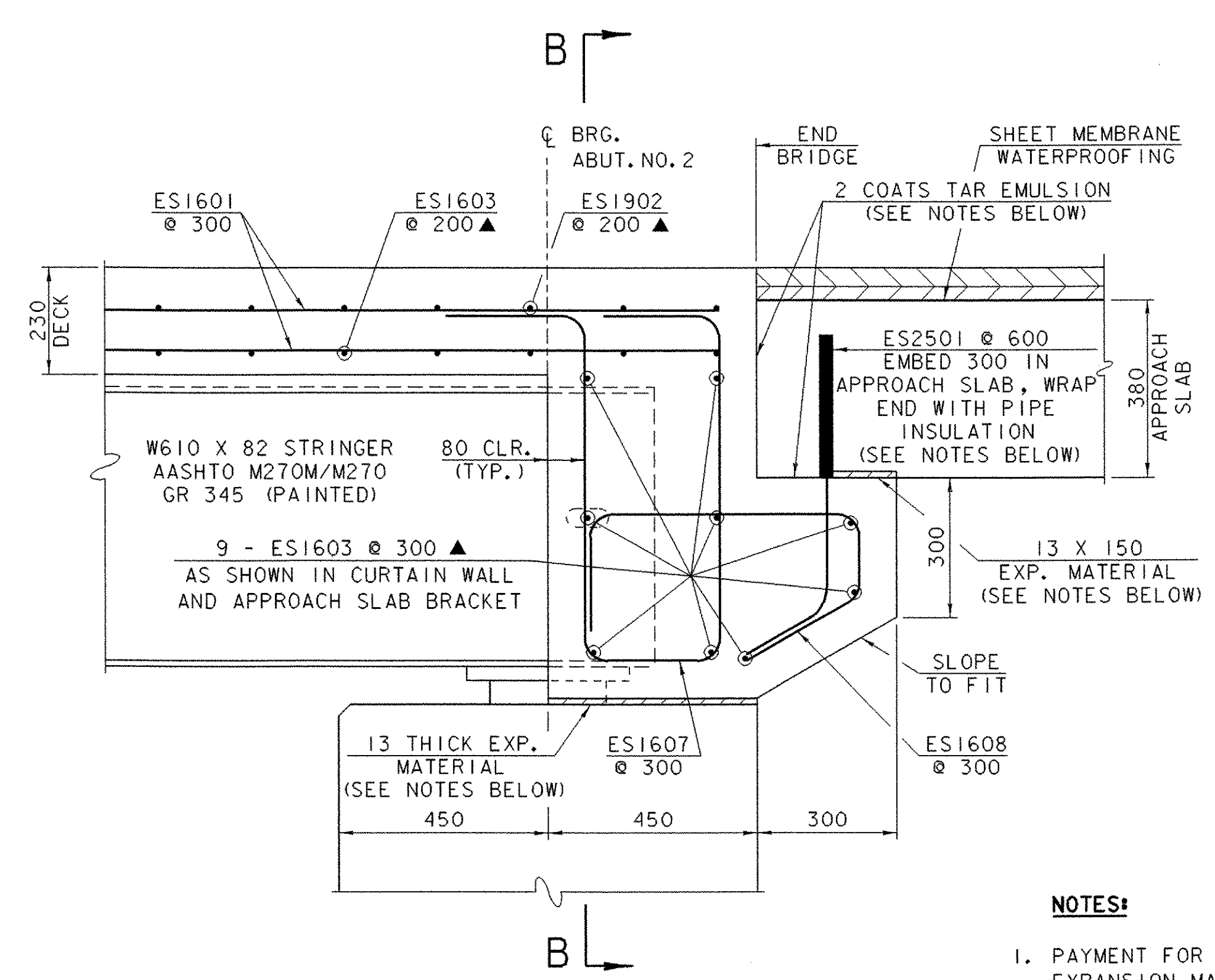


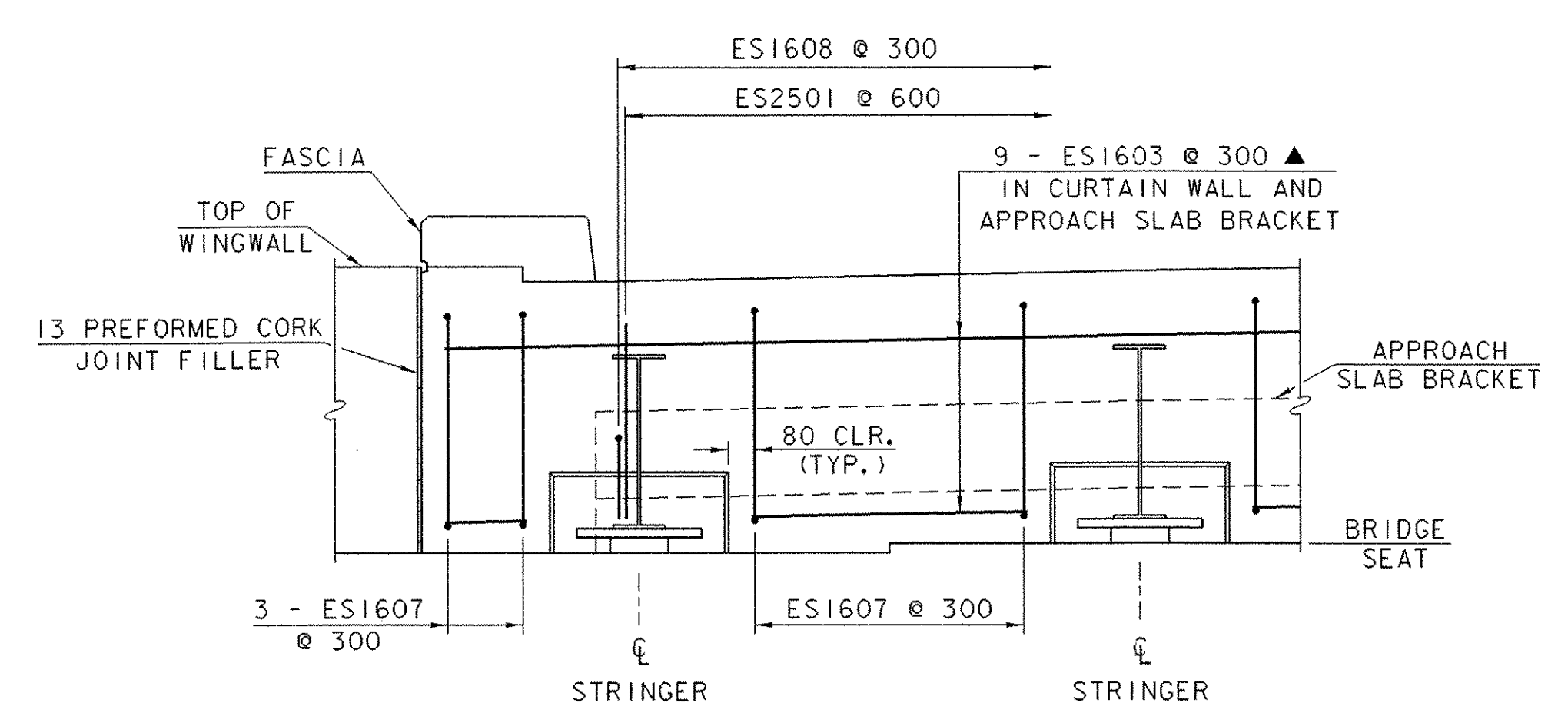
TRUSS CURB END DETAIL
SCALE = 1:10



APPROACH SPAN CURB END DETAIL
SCALE = 1:20



ABUTMENT NO. 2 END DETAIL
SCALE = 1:10



SECTION B-B
SCALE = 1:20

- NOTES:**
- PAYMENT FOR TAR EMULSION, PIPE INSULATION, EXPANSION MATERIAL AND THEIR APPLICATION AND INSTALLATION SHALL BE MADE SUBSIDIARY TO ITEM 501.33, "CONCRETE, HIGH PERFORMANCE CLASS A".
 - ▲ = CUT TO FIT IN FIELD
 - 80 CLR. UNLESS OTHERWISE NOTED

DECK REINFORCING PLAN

PROJECT NAME:	BROOKLINE NEWFANE
PROJECT NUMBER:	BHO 1442 (25)
FILE NAME:	951278\Structures\sj278drp.i
PROJECT MANAGER:	R. WHITCOMB
DESIGNED BY:	L. ASHWORTH/S. SCRIBNER
PLOT DATE:	26-JUN-2003
DRAWN BY:	G. ROY
CHECKED BY:	M. LOZIER
SHEET 27 OF 78	