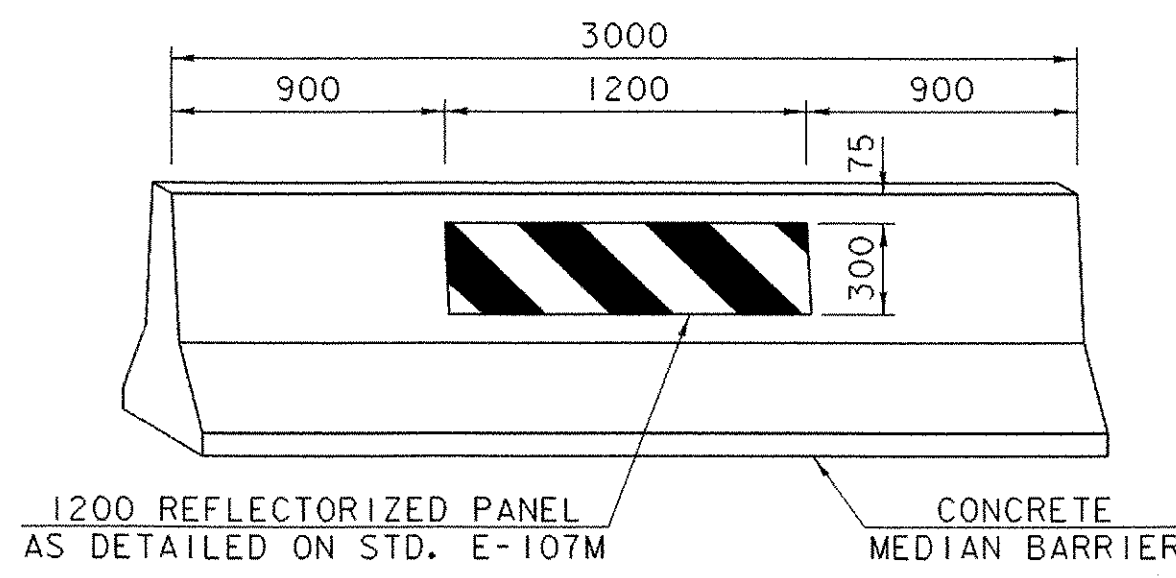


TRAFFIC CONTROL NOTES

1. THIS TRAFFIC CONTROL SHEET IS TO BE USED AS AN EXAMPLE OF THE MINIMUM REQUIREMENTS FOR ONE-WAY TRAFFIC WITHOUT TRAFFIC SIGNAL CONTROL. MODIFICATION OF, OR ADDITIONS TO, THE TRAFFIC CONTROL DEVICES SHOWN HERE MAY BE REQUIRED BY THE RESIDENT ENGINEER BASED ON FIELD CONDITIONS.
2. THE CONTRACTOR SHALL FURNISH FLAG PERSONS AT THE DIRECTION OF THE ENGINEER AND PROVIDE THE APPROPRIATE SIGNING FOR THEIR PROTECTION. REFER TO STD. E-110M FOR DETAILS. ANY SUCH SIGNING SHALL BE COVERED OR REMOVED WHEN FLAG PEOPLE ARE NO LONGER CONTROLLING TRAFFIC.
3. REFER TO STANDARD SHEETS E-100M, E-101M, E-102M, E-102AM, E-106M, E-107M AND E-107AM FOR ADDITIONAL DETAILS OF SIGNING AND TRAFFIC CONTROL DEVICES.
4. WHERE EXISTING PAVEMENT MARKINGS ARE NOT APPROPRIATE TO THE MOVEMENT OF TRAFFIC THROUGH THE CONSTRUCTION AREA, THEY SHALL BE REMOVED IN AN APPROVED MANNER. TEMPORARY PAVEMENT MARKINGS SHALL BE APPLIED AS CALLED FOR ON THE PLANS OR AS DIRECTED BY THE ENGINEER.
5. TEMPORARY STREET LIGHTS SHALL BE INSTALLED IN THE APPROXIMATE LOCATIONS SHOWN ON THIS SHEET. LIGHTS ARE TO BE INSTALLED ON WOOD POLES OF SUFFICIENT LENGTH TO OBTAIN A 9m MOUNTING HEIGHT. THE LUMINAIRE(S) SHALL BE A 150 WATT, HIGH PRESSURE SODIUM OR A 250 WATT MERCURY LIGHT WITH TYPE II DISTRIBUTION WITH AN ARM OF SUFFICIENT LENGTH TO GET THE LUMINAIRE OVER THE SHOULDER OF THE HIGHWAY. IT SHALL BE THE RESPONSIBILITY OF THE CONTRACTOR TO PROVIDE FOR A POWER SOURCE FOR THE STREET LIGHTS AND PAY ALL COSTS OF OPERATING AND MAINTAINING THESE LIGHTS DURING THE PROJECT AND REMOVAL OF THE LIGHTS AFTER THE PROJECT.
6. REFLECTIVE PLASTIC DRUMS MAY BE SUBSTITUTED FOR TEMPORARY TRAFFIC BARRIER UNLESS ONE OF THE FOLLOWING CONDITIONS EXIST:
 - A. THE BRIDGE DECK IS REMOVED,
 - B. THE BRIDGE RAIL IS REMOVED, OR
 - C. IN THE JUDGEMENT OF THE RESIDENT ENGINEER, TEMPORARY TRAFFIC BARRIER IS NEEDED.
7. ANY FILL REQUIRED TO EXTEND THE TEMPORARY TRAFFIC BARRIER OUTSIDE THE CLEAR ZONE SHALL BE NEATLY PLACED AND COMPACTED FOR THE SUPPORT OF THE BARRIER AND SHALL BE PROVIDED WITH ADEQUATE COVER TO PREVENT EROSION. THE RESIDENT ENGINEER SHALL APPROVE THE FILL MATERIAL PRIOR TO PLACEMENT. SIDE SLOPES OF THE FILL SHALL BE NO STEEPER THAN 1:4.
8. ANY EXCAVATION REQUIRED TO EXTEND THE TEMPORARY TRAFFIC BARRIER SHALL BE LIMITED TO THE POINT AT WHICH THE END OF BARRIER IS FULLY BURIED OR THE CLEAR ZONE LIMIT, WHICHEVER IS SHORTER. ONCE THE BARRIER HAS BEEN PLACED, IT SHALL BE PROPERLY BACKFILLED TO PROVIDE A SMOOTH CONTINUOUS TRANSITION FROM THE EMBANKMENT TO THE BARRIER.
9. ALL TEMPORARY FILL OR EXCAVATION REQUIRED TO INSTALL TEMPORARY BARRIER SHALL BE REMOVED OR REPLACED TO THE PRE-CONSTRUCTION CONDITION AFTER THE BARRIER IS NO LONGER REQUIRED FOR A PARTICULAR PHASE OF CONSTRUCTION.
10. THE COST OF FURNISHING, PLACING, REMOVING OR REPLACING OF MATERIAL SHALL BE SUBSIDIARY TO ITEM 621.90, "TEMPORARY TRAFFIC BARRIER".

NOTE A:
THE EXPOSED END OF THE TEMPORARY BARRIER SHALL BE PLACED BEYOND THE "CLEAR ZONE" OR PROTECTED BY AN APPROPRIATE CRASH CUSHION OR IMPACT ATTENUATOR AS OUTLINED IN AASHTO'S "ROAD SIDE DESIGN GUIDE".



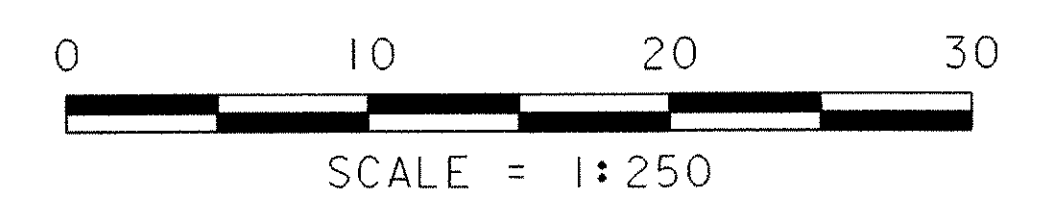
TEMPORARY TRAFFIC BARRIER NOTES

1. THE PANEL SHOWN IS ORIENTATED FOR TRAFFIC PASSING TO THE RIGHT.
2. THE PANEL SHALL BE ATTACHED TO THE CONCRETE MEDIAN BARRIER IN A SECURE FASHION.
3. ALL BARRIER PLACED IN TAPERS SHALL BE PROVIDED WITH A REFLECTORIZED PANEL AS SHOWN. THE PANEL SHALL BE ORIENTATED IN THE PROPER DIRECTION (RIGHT OR LEFT) BASED ON THE APPROACHING TRAFFIC.
4. BARRIER SECTIONS MAY BE MOVED DURING WORKING HOURS TO PROVIDE ACCESS TO THE WORKSITE. HOWEVER, THEY MUST BE REPLACED FOR NON-WORK PERIODS.

LEGEND

- TEMPORARY STREET LIGHT
- ▭ TEMPORARY TRAFFIC BARRIER
- ▭ TYPE III BARRICADES (SEE STD. E-107AM)
- ▭ TYPE III BARRICADES (MOD.) (SEE STD. E-107AM)
- /// REMOVAL OF EXISTING PAVEMENT MARKINGS

STANDARDS REQUIRED:
E-100M, E-101M, E-102M, E-102AM, E-106M, E-107M, E-107AM, E-110M, E-121M, E-129M, E-146M, E-175M



TEMPORARY DETOUR LAYOUT SHEET

PROJECT NAME:	BROOKLINE NEWFANE
PROJECT NUMBER:	BHO 1442 (25)
FILE NAME:	95j278\Structures\sj278det.j
PROJECT MANAGER:	R. WHITCOMB
DESIGNED BY:	G. ROY
PLOT DATE:	26-JUN-2003
DRAWN BY:	G. ROY
CHECKED BY:	M. LOZIER
SHEET	16 OF 78