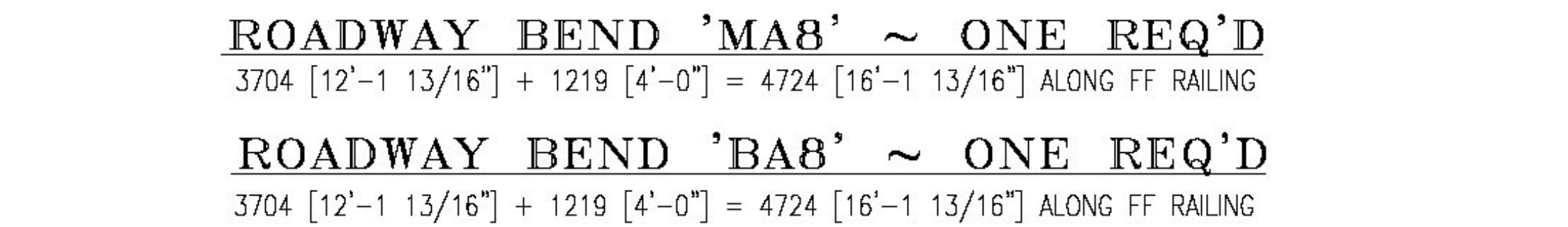
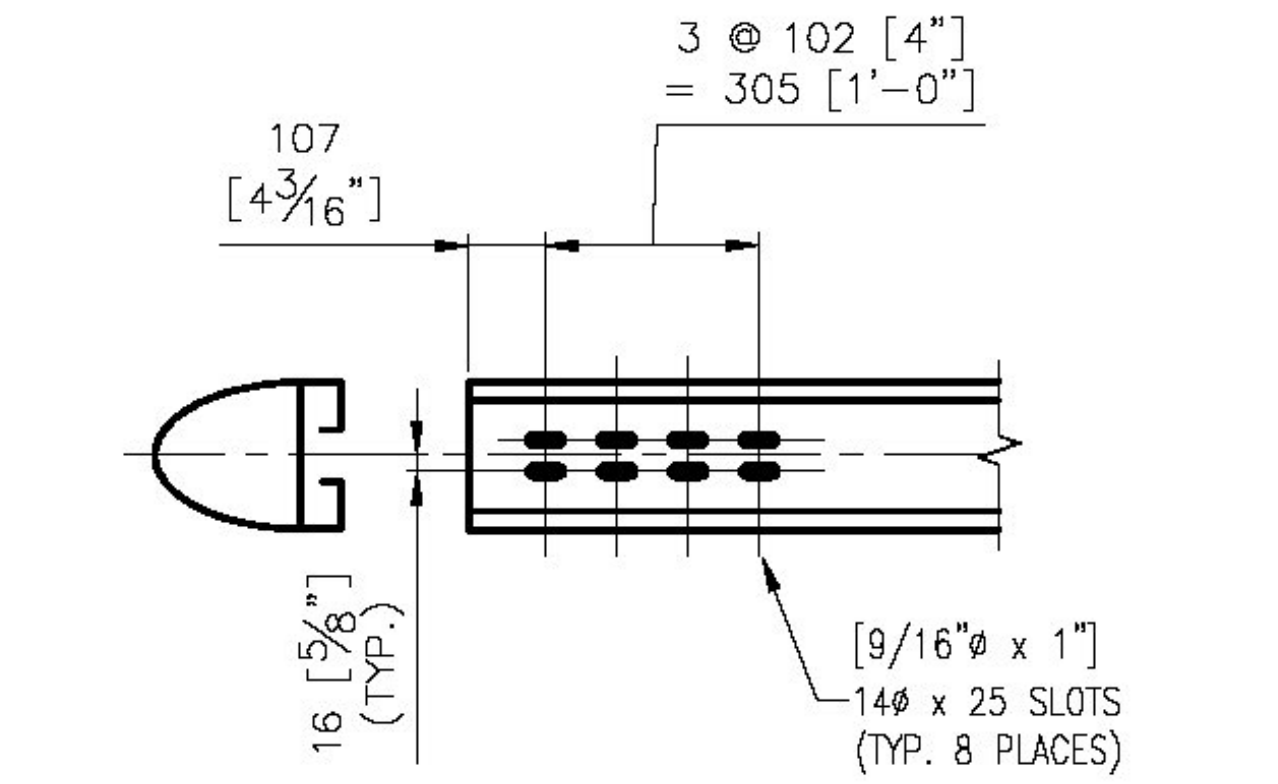
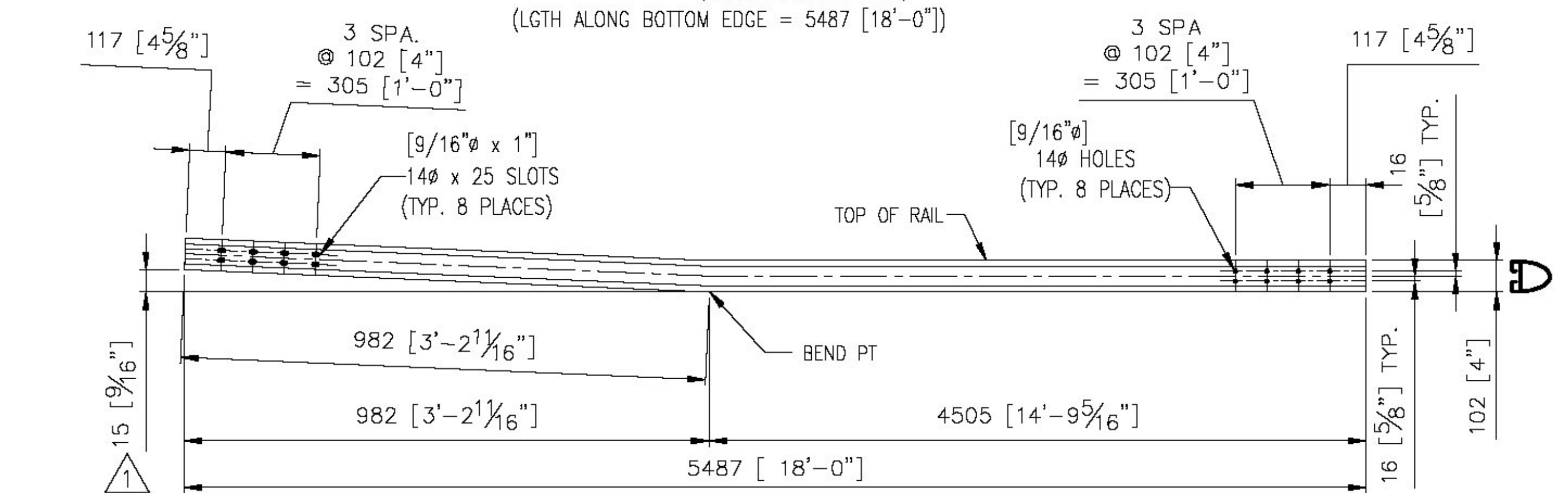
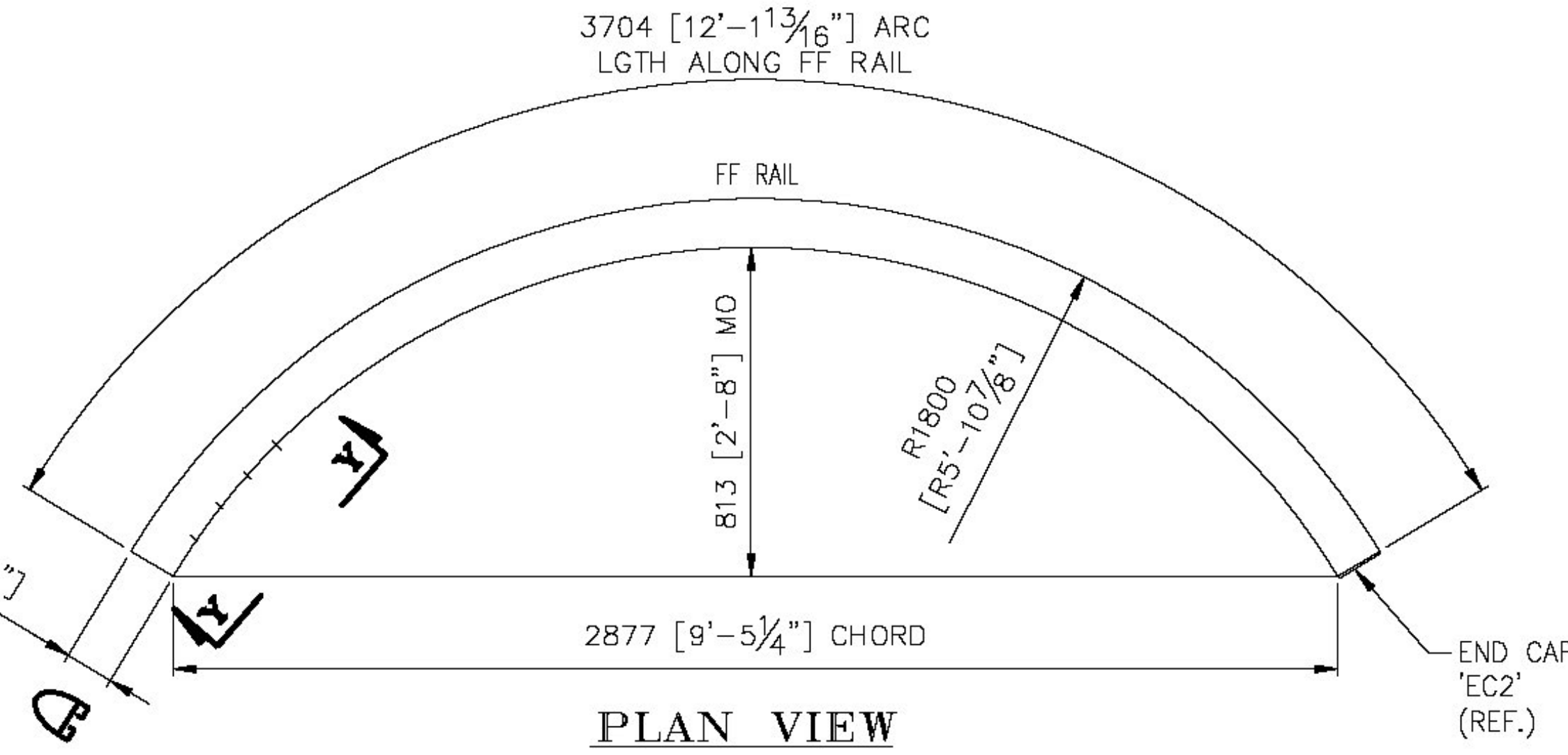
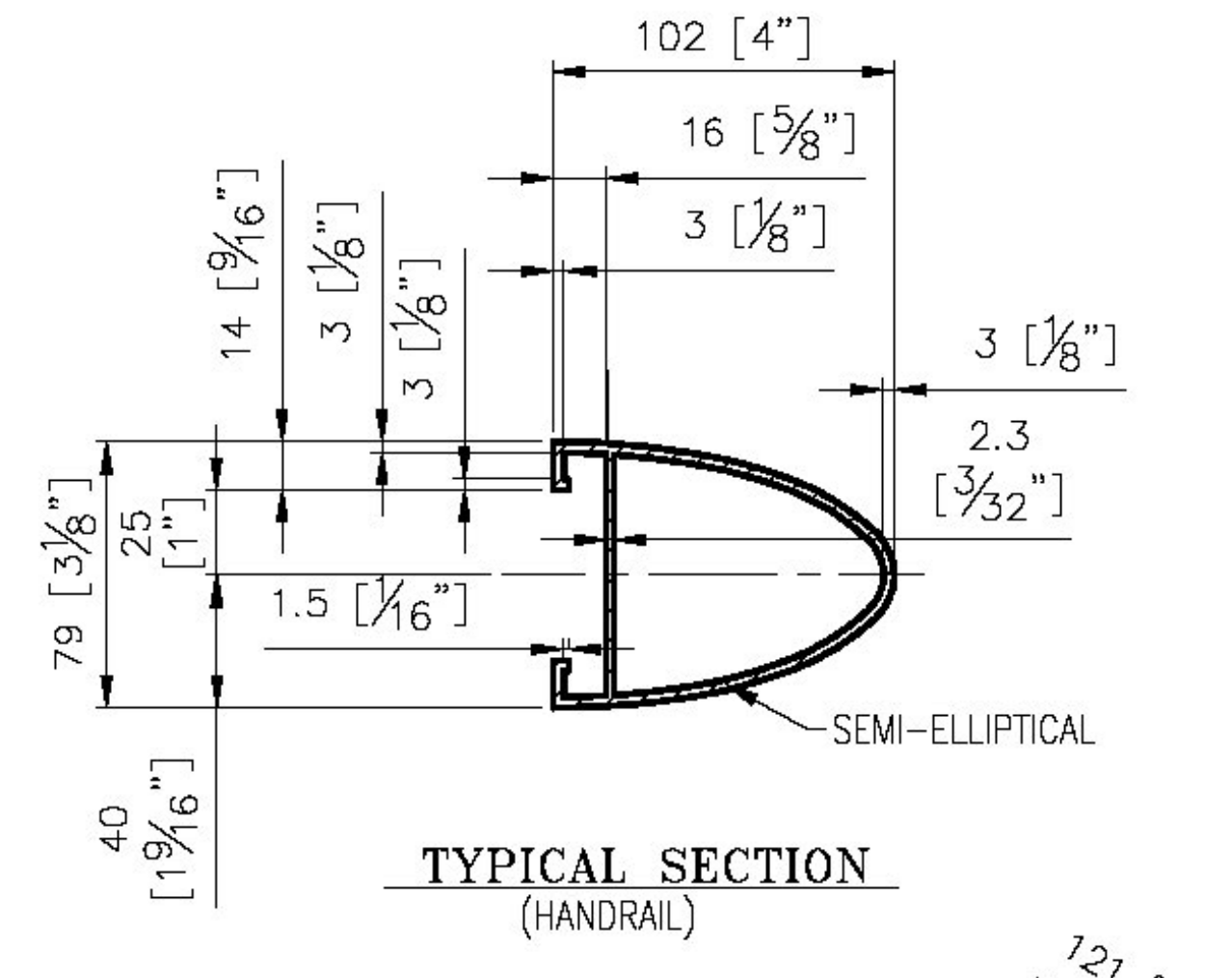
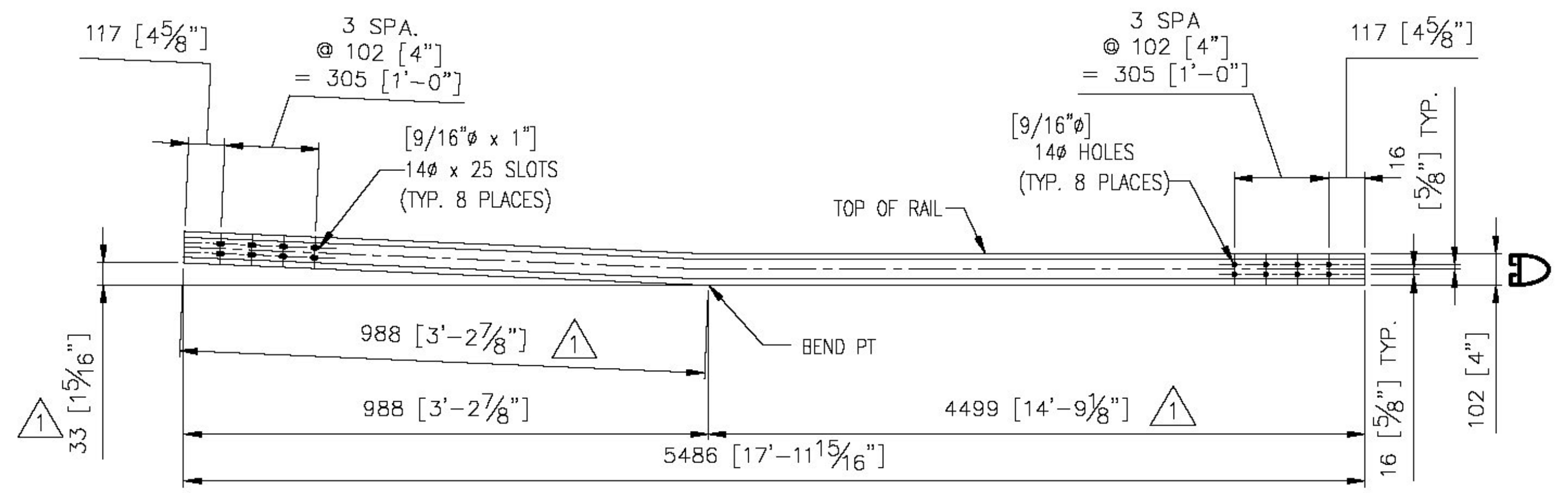


BENT RAILS							
MK.	QTY	OAL (ALONG BOTTOM)	LENGTH	OFFSET	"A"	"B"	"C"
MA5	1	5334 [17'-6"]	5333 [17'-5 15/16"]	32 [1 1/4"]	4356 [14'-3 1/2"]	977 [3'-2 7/16"]	978 [3'-2 1/2"]
BA5	1	5334 [17'-6"]	5333 [17'-5 15/16"]	15 [9/16"]	4357 [14'-3 9/16"]	977 [3'-2 7/16"]	977 [3'-2 7/16"]
MA7	1	5487 [18'-0"]	5487 [18'-0"]	40 [1 9/16"]	4497 [14'-9"]	990 [3'-3"]	990 [3'-3"]
BA7	1	5487 [18'-0"]	5487 [18'-0"]	22 [7/8"]	4504 [14'-9 5/16"]	983 [3'-2 11/16"]	983 [3'-2 11/16"]



ONE REQ'D. ~ BENT RAIL 'BA3' (REAR ELEVATION VIEW) (LGTH ALONG BOTTOM EDGE = 5487 [18'-0"])

VIEW 'Y'-'Y'  
 Vermont Agency of Transportation  
**RECEIVED**  
 CK'D BY GFR OK'D BY  
 03/29/2012  
 RESUBMIT APPROVED X  
 BY C. CARLSON DATE 03/30/2012

**ANODIZED**  
 (SEE NOTES ON LB1)

ITEM No: 621.745

APPROVED:	REC'D APPROVAL
	DRAWING

**L.B. FOSTER COMPANY**  
 1016 GREENTREE ROAD  
 PITTSBURGH, PENNSYLVANIA 15220

FOR: F. R. LAFAYETTE, INCORPORATED  
 VERMONT AGENCY OF TRANSPORTATION  
 COUNTY OF WINDHAM - TOWN OF NEWFANE - PROJ. #BRF 0106(3)S  
 3L ALUM APPROACH RAILING - RTE: TH2 CLASS 2 (MAJOR COLLECTOR)  
 BRIDGE 14 OVER MARLBORO BRANCH - RAIL DETAILS

MADE CMS DATE 02/03/12 JOB No. ARO720 CUST. No.
CHECK Dd DATE 02/13/12 DRAWING LB11 REV. No. ONE

1	REVISED PER APPROVAL COMMENTS	CMS	03/23/12
REV.	DESCRIPTION	BY	DATE