

SPlice BOLT DETAILS

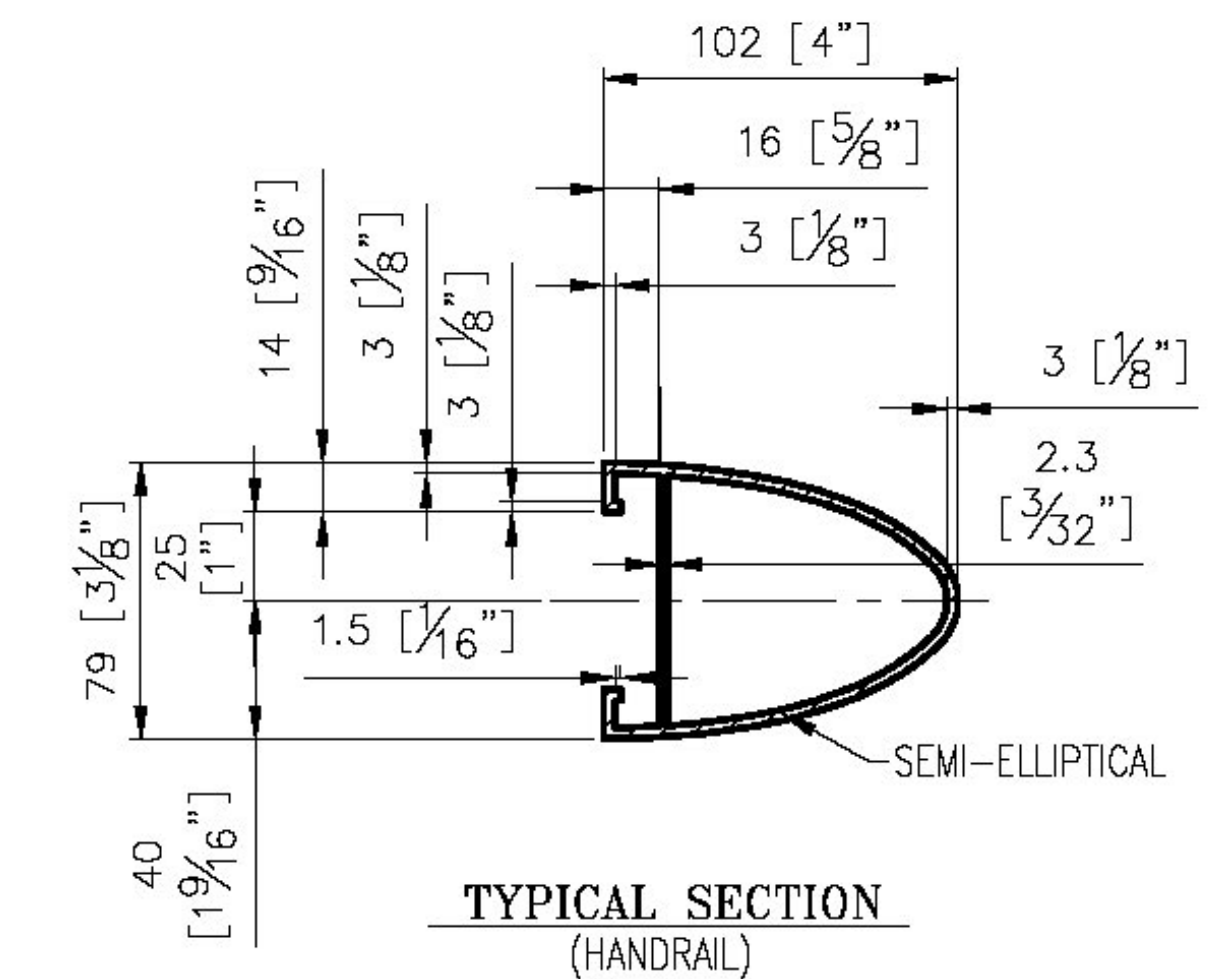
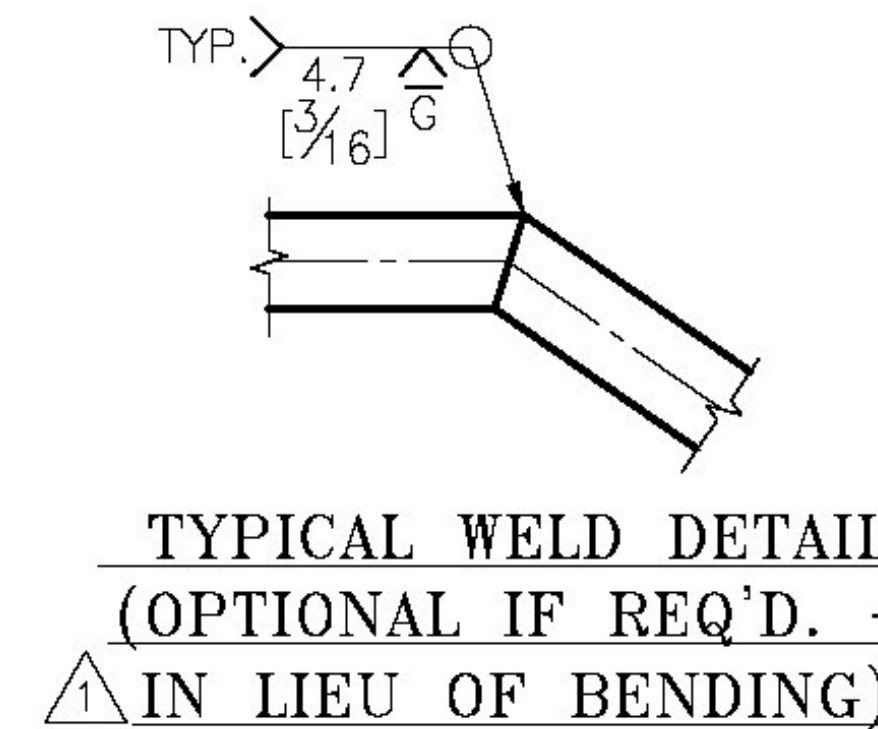
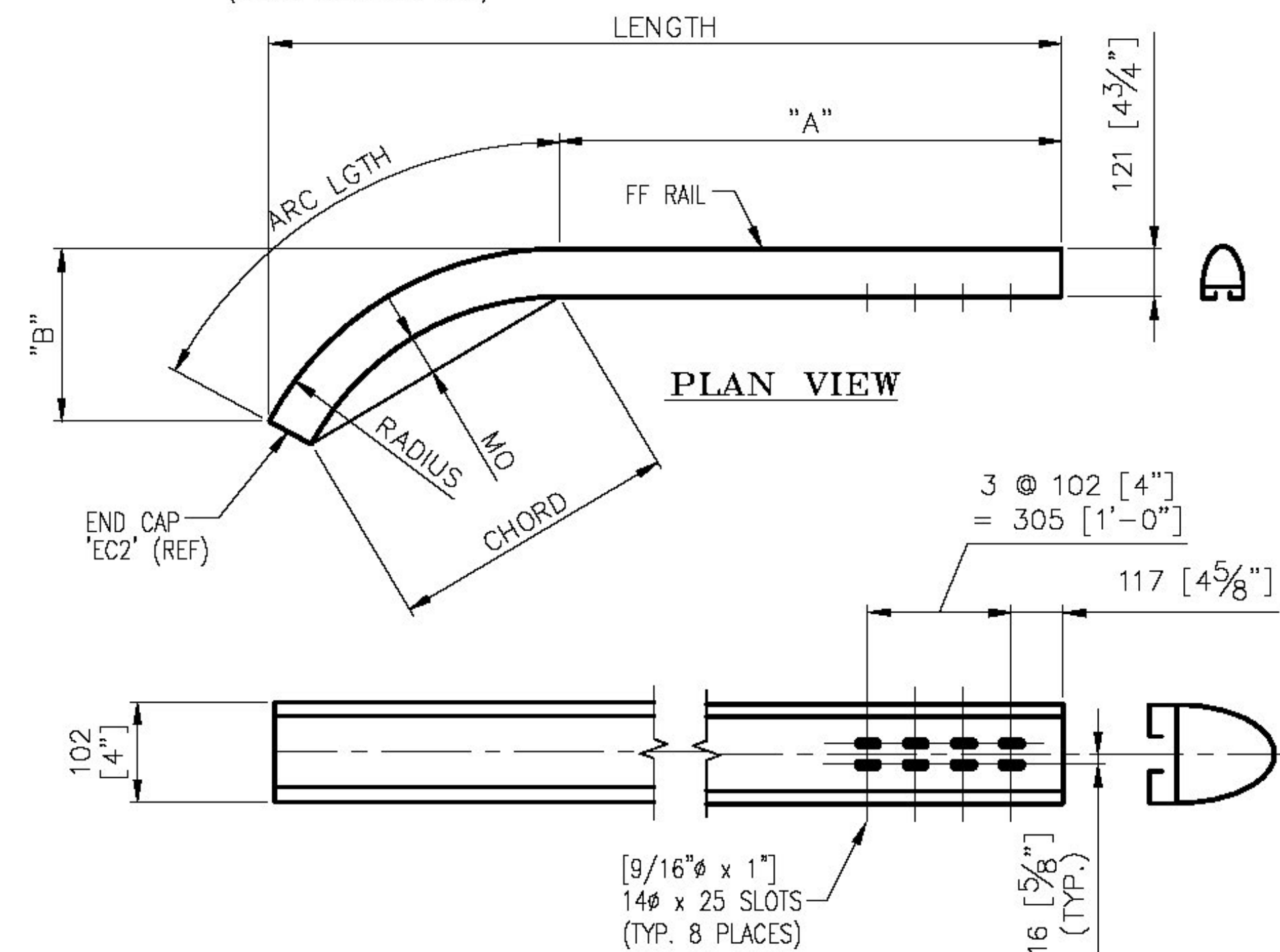
FASTENERS & HOLES WILL BE SUPPLIED IN STANDARD US EQUIVALENT UNITS FOR THE METRIC DESIGNATIONS.

Vermont Agency of Transportation
RECEIVED

CK'D BY GFR OK'D BY _____
03/29/2012

RESUBMIT _____ APPROVED X _____
BY C. CARLSON DATE 03/30/2012

NOTE:
PRIMARY DIMENSIONS ARE METRIC UNITS IN MM. DIMENSIONS SHOWN [] THIS ARE THE ENGLISH CONVERSION.



BENT RAILS										MATL FOR BENDING
MK.	QTY	OAL (ALONG FF RAIL)	LENGTH	ARC LGTH	"A"	"B"	MO	CHORD	RADIUS	
MA1	2	5182 [17'-0"]	4736 [15'-6 7/16"]	4104 [13'-5 9/16"]	1078 [3'-6 7/16"]	1592 [5'-2 11/16"]	405 [1'-3 15/16"]	3893 [12'-9 1/4"]	5000 [16'-4 7/8"]	+762 [2'-6"]
BA1	2	5182 [17'-0"]	4736 [15'-6 7/16"]	4104 [13'-5 9/16"]	1078 [3'-6 7/16"]	1592 [5'-2 11/16"]	405 [1'-3 15/16"]	3893 [12'-9 1/4"]	5000 [16'-4 7/8"]	+762 [2'-6"]
MA6	1	7020 [23'-0 3/8"]	6574 [21'-6 13/16"]	4104 [13'-5 9/16"]	2916 [9'-6 13/16"]	1592 [5'-2 11/16"]	405 [1'-3 15/16"]	3893 [12'-9 1/4"]	5000 [16'-4 7/8"]	+762 [2'-6"]
BA6	1	7020 [23'-0 3/8"]	6574 [21'-6 13/16"]	4104 [13'-5 9/16"]	2916 [9'-6 13/16"]	1592 [5'-2 11/16"]	405 [1'-3 15/16"]	3893 [12'-9 1/4"]	5000 [16'-4 7/8"]	+762 [2'-6"]

ANODIZED
(SEE NOTES ON LB1)

REVISD PER APPROVAL COMMENTS	CMS	03/29/12
REVISD PER APPROVAL COMMENTS	CMS	03/23/12
REV. DESCRIPTION	BY	DATE

ITEM No: 621.745

APPROVED: _____ REC'D APPROVAL _____
DRAWING _____

L.B. FOSTER COMPANY
1016 GREENTREE ROAD
PITTSBURGH, PENNSYLVANIA 15220

FOR: F. R. LAFAYETTE, INCORPORATED
VERMONT AGENCY OF TRANSPORTATION

COUNTY OF WINDHAM - TOWN OF NEWFANE - PROJ. #BRF 0106(3)S
3L ALUM APPROACH RAILING - RTE: TH2 CLASS 2 (MAJOR COLLECTOR)
BRIDGE 14 OVER MARLBORO BRANCH - RAIL DETAILS

MADE CMS DATE 02/03/12 JOB No. ARO720 CUST. No. _____
CHECK Dd DATE 02/13/12 DRAWING LB10 REV. No. 2