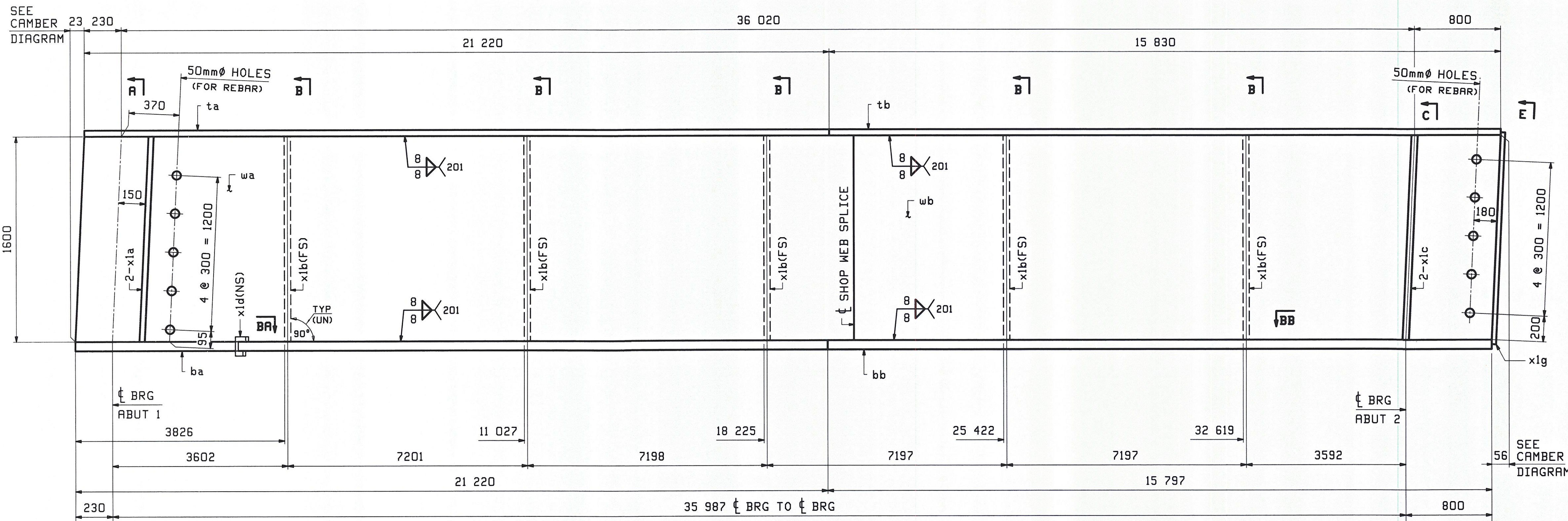
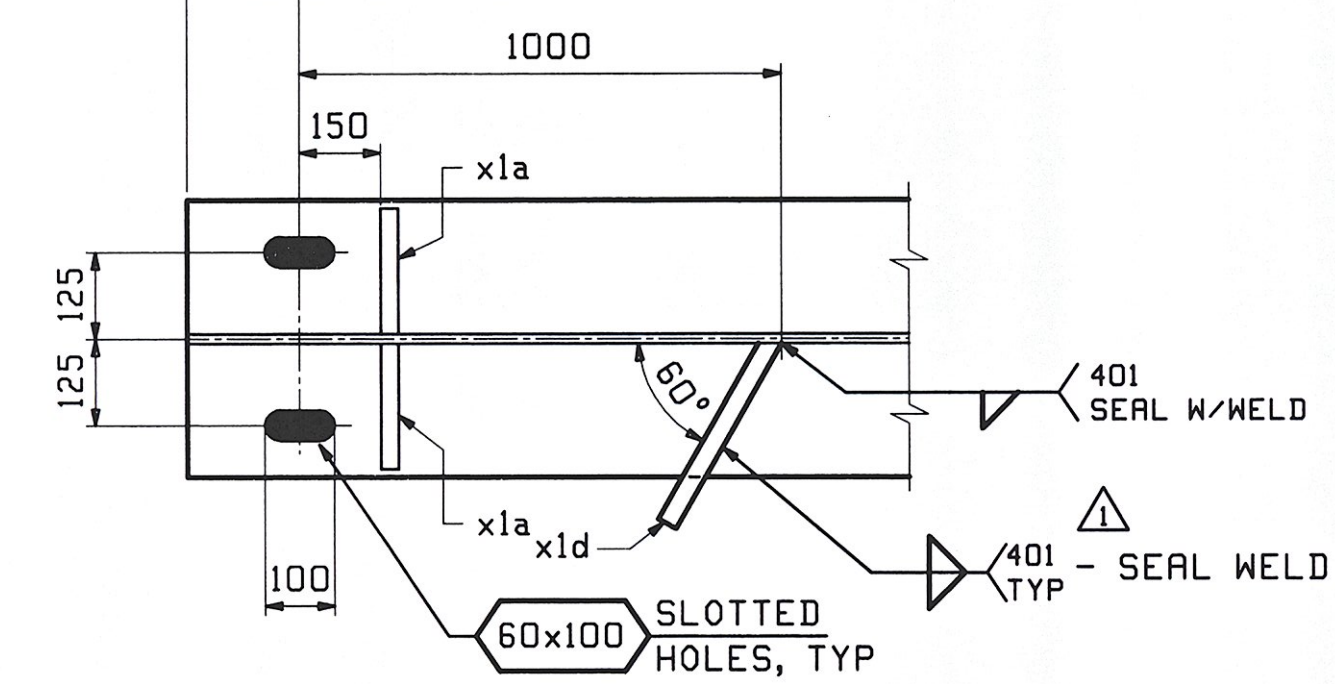


SEE CAMBER 23 230 DIAGRAM

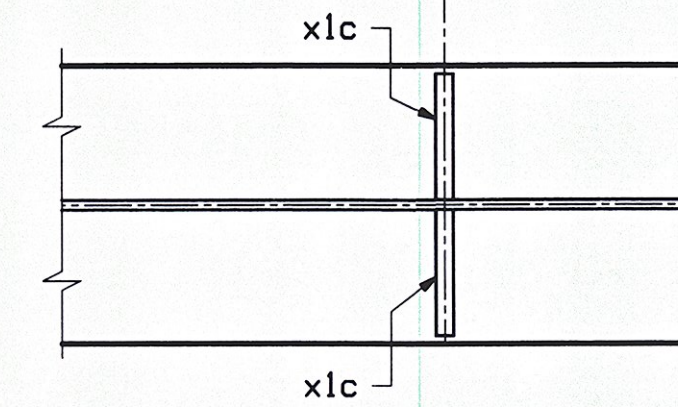


ONE - GIRDER - 3G4

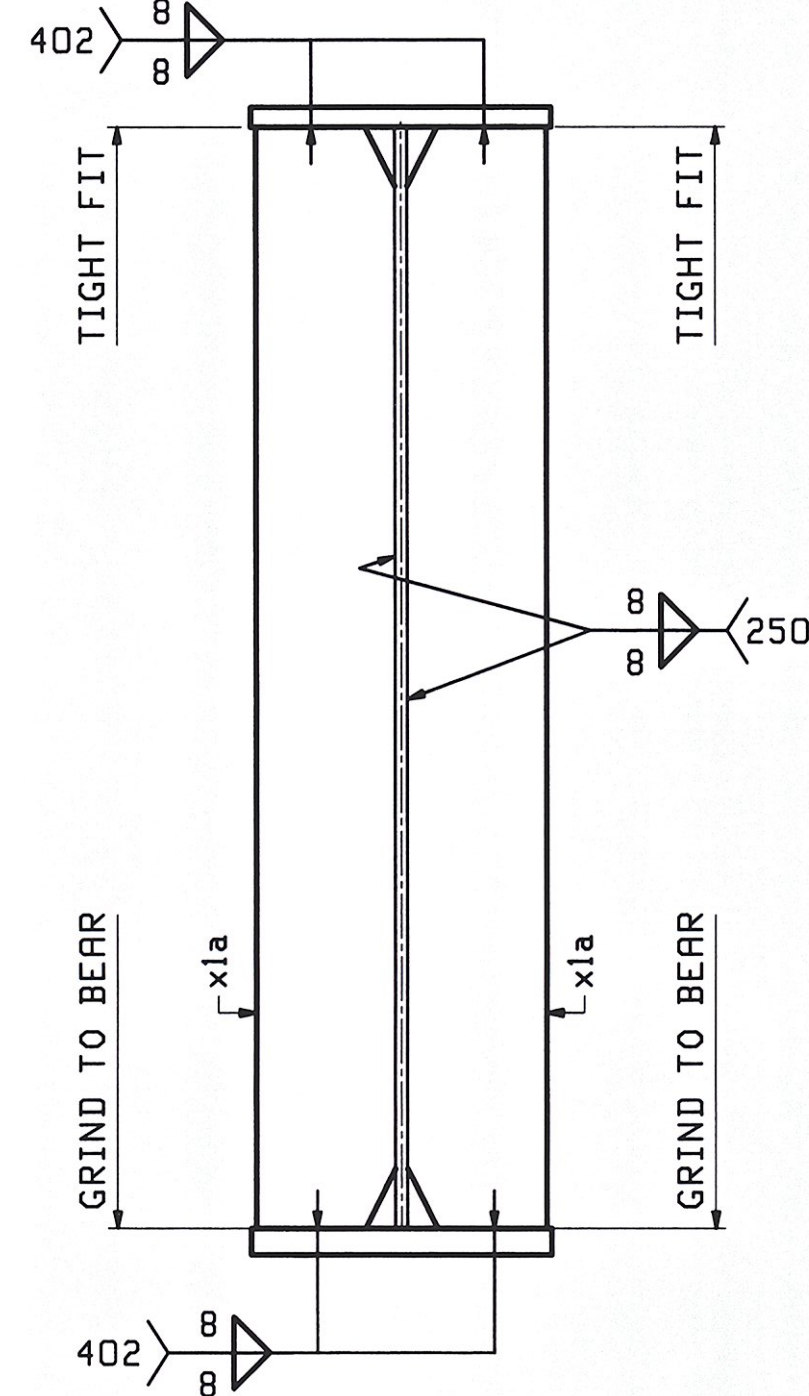
FOR GIRDER STANDARD DETAILS SEE DRAWING X1.
 FOR CAMBER & FLANGE DIAGRAMS SEE DRAWING C1.
 FOR GENERAL NOTES SEE DRAWING GNI.
 T2 DENOTES MATERIAL SUBJECT TO CHARPY V-NOTCH TESTING.



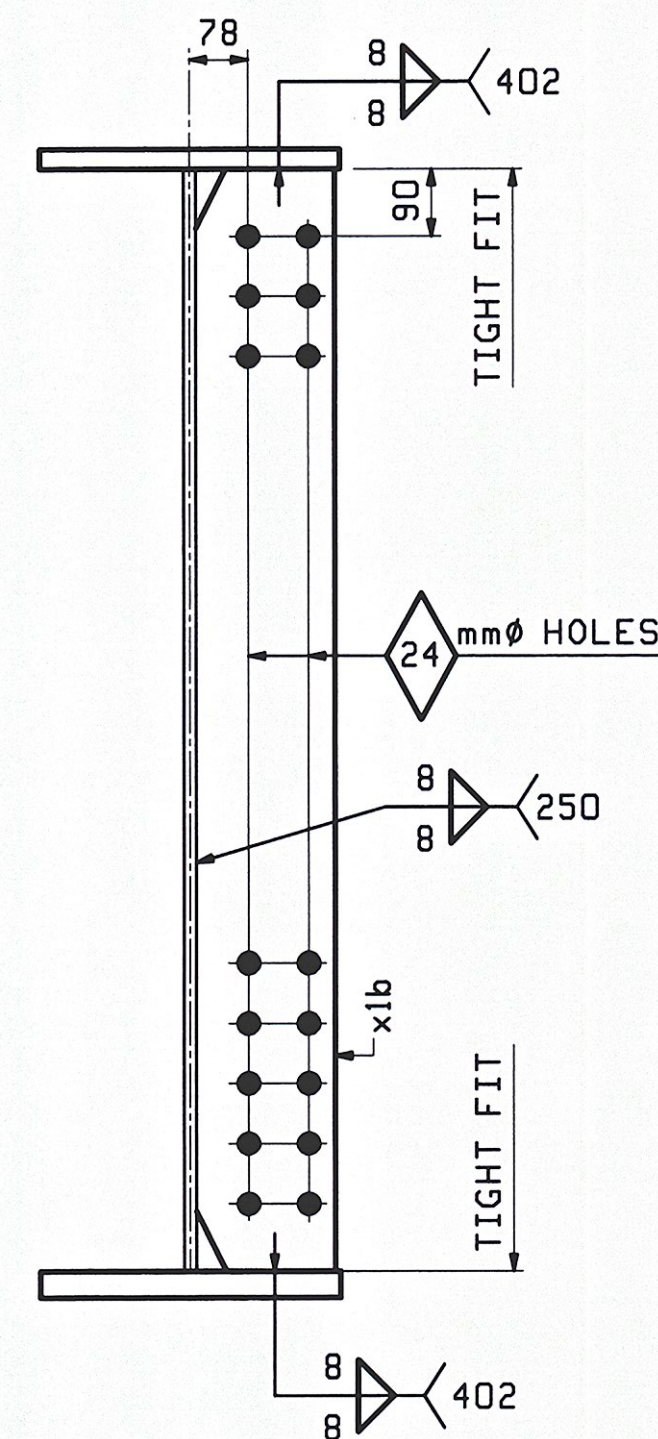
SECTION BA



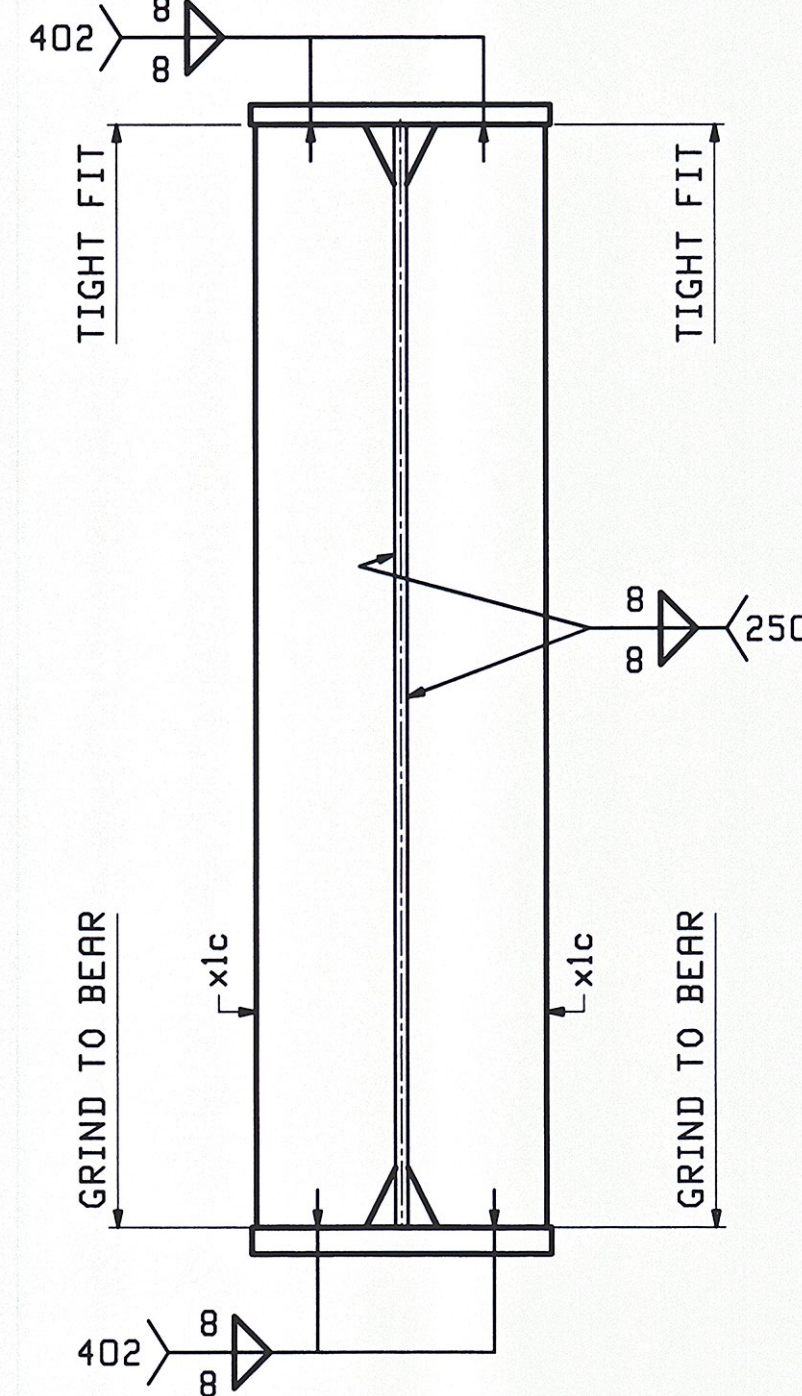
SECTION BB



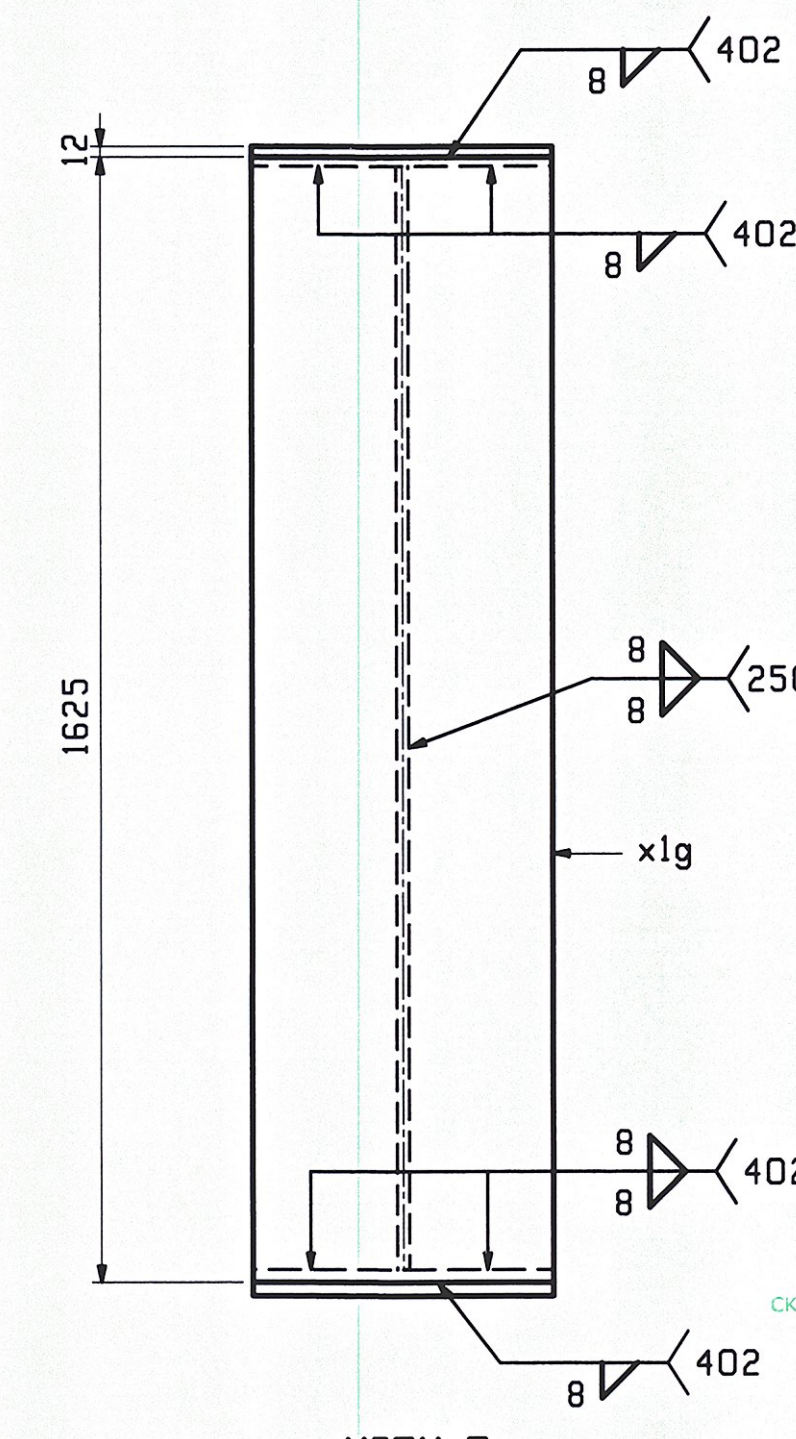
SECTION A



SECTION B

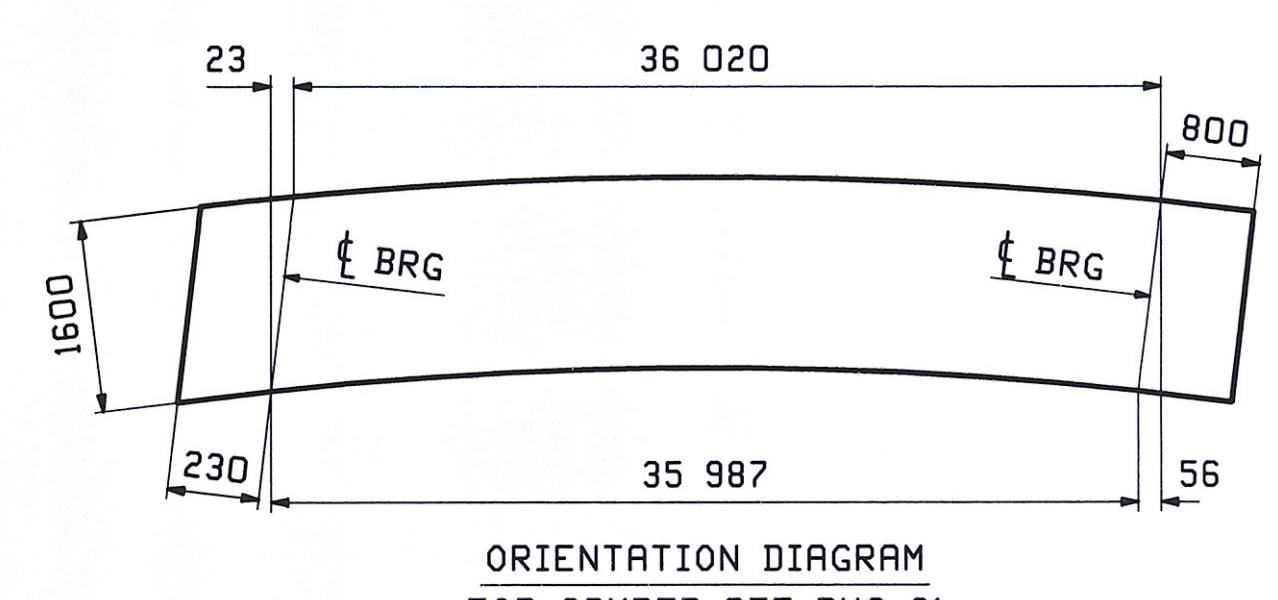


SECTION C



VIEW E

ABM INFO		BILL OF MATERIAL				JOB NO.	DRAWING NO.	REV.
3G4	1	GIRDER			508	3	1	
LINE	MARK	QTY	MATERIAL	LENGTH	REMARKS	WT	PROCUREMENT NOTES	
1	E	1	wa	PL 16x1600	21 866	M270M-345HT2		
1	G	1	wb	PL 16x1600	15 219	M270M-345HT2		
1	J	1	ta	PL 22x400	21 220			
1	L	1	tb	PL 22x400	15 830			
1	A	1	ba	PL 29x400	21 220	M270M-345HT2		
1	C	1	bb	PL 29x400	15 797	M270M-345HT2		
2	B	2	x1a	PL 22x190	1 600	MIE		
2	C	5	x1b	PL 13x190	1 600			
2	B	2	x1c	PL 22x190	1 601	MIE		
2	D	1	x1d	PL 6x79	0 275			
2	E	1	x1g	PL 22x400	1 625			



ORIENTATION DIAGRAM FOR CAMBER SEE DWG C1

11/09	REVISED PER COMMENTS	TJB	PCP		
0					11-30-11
REV. DATE	REMARKS	DWN	CHK	APVL	SHOP
MATERIAL: M270M-345W	SURFACE PREP. & PAINT: SEE DWG GNI	HOLES: AS NOTED			SHOP BOLTS: NONE
DESCRIPTION: GIRDER 3G4					
CASCO BAY STEEL STRUCTURES, INC. 1 WALLACE AVE. PHONE (207) 780-6722 SOUTH PORTLAND, ME 04106 FAX. (207) 780-6726					
STRUCTURE: VT TH 2 over MARLBORO BRANCH	BRIDGE NO 14	NEWFANE	County of Windham	DRAWN: TJB	DATE: 10/12
				CHKD: PCP	DATE: 10/14
LOCATION: Newfane	JOB NO. 508	DWG NO. 3			
PROJ NO. BRF 0106 (3)S					
CUSTOMER: VT AOT					

11/15/11 11:58 AM C:\Users\jacob.25507\1 Rev1