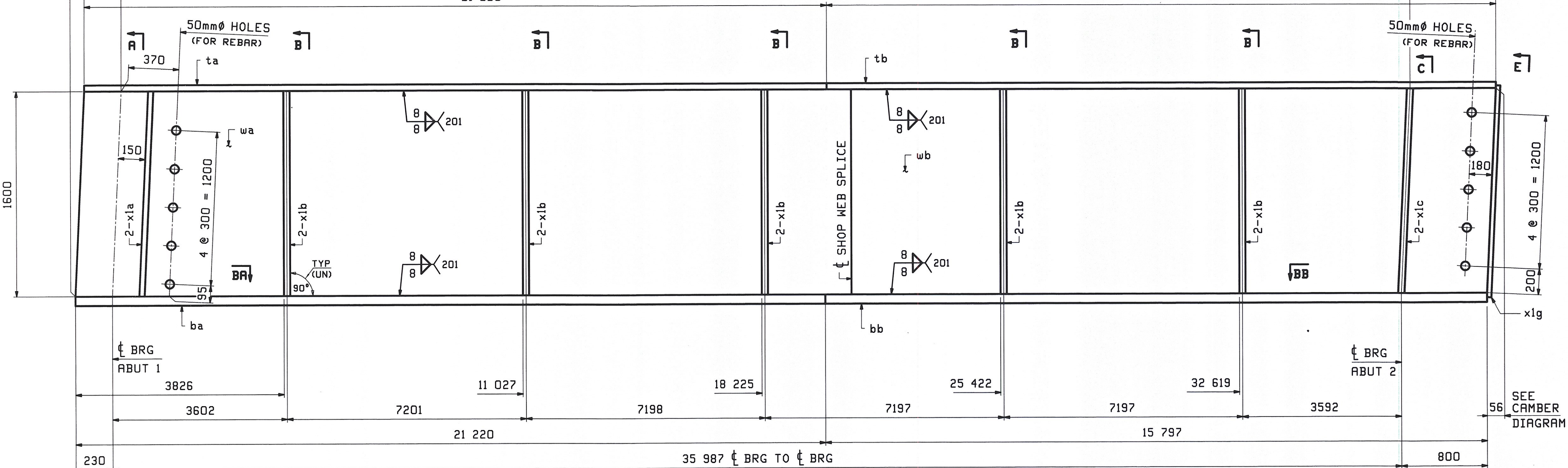
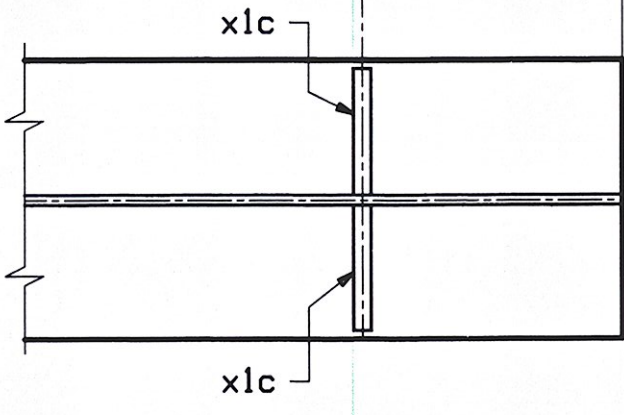


SEE CAMBER DIAGRAM 23 230

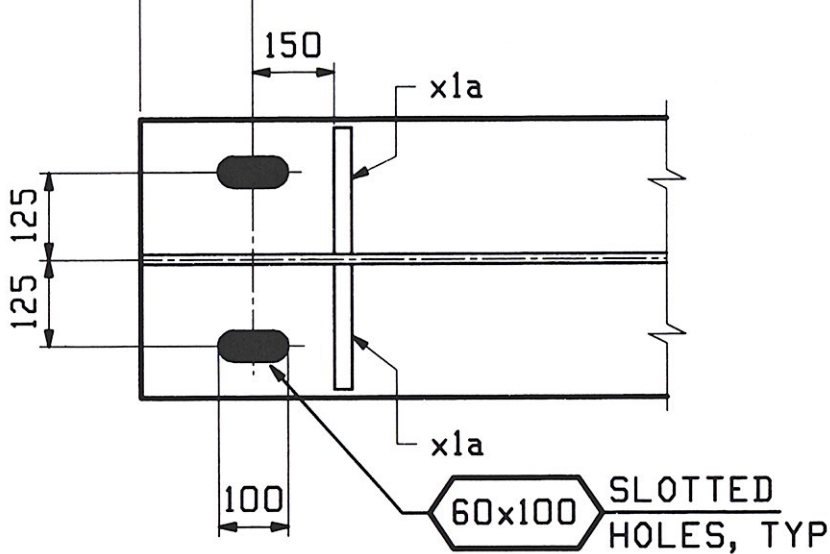


ONE - GIRDER - 2G2 } ALIKE EXCEPT FOR MARKS  
 ONE - GIRDER - 2G3 }

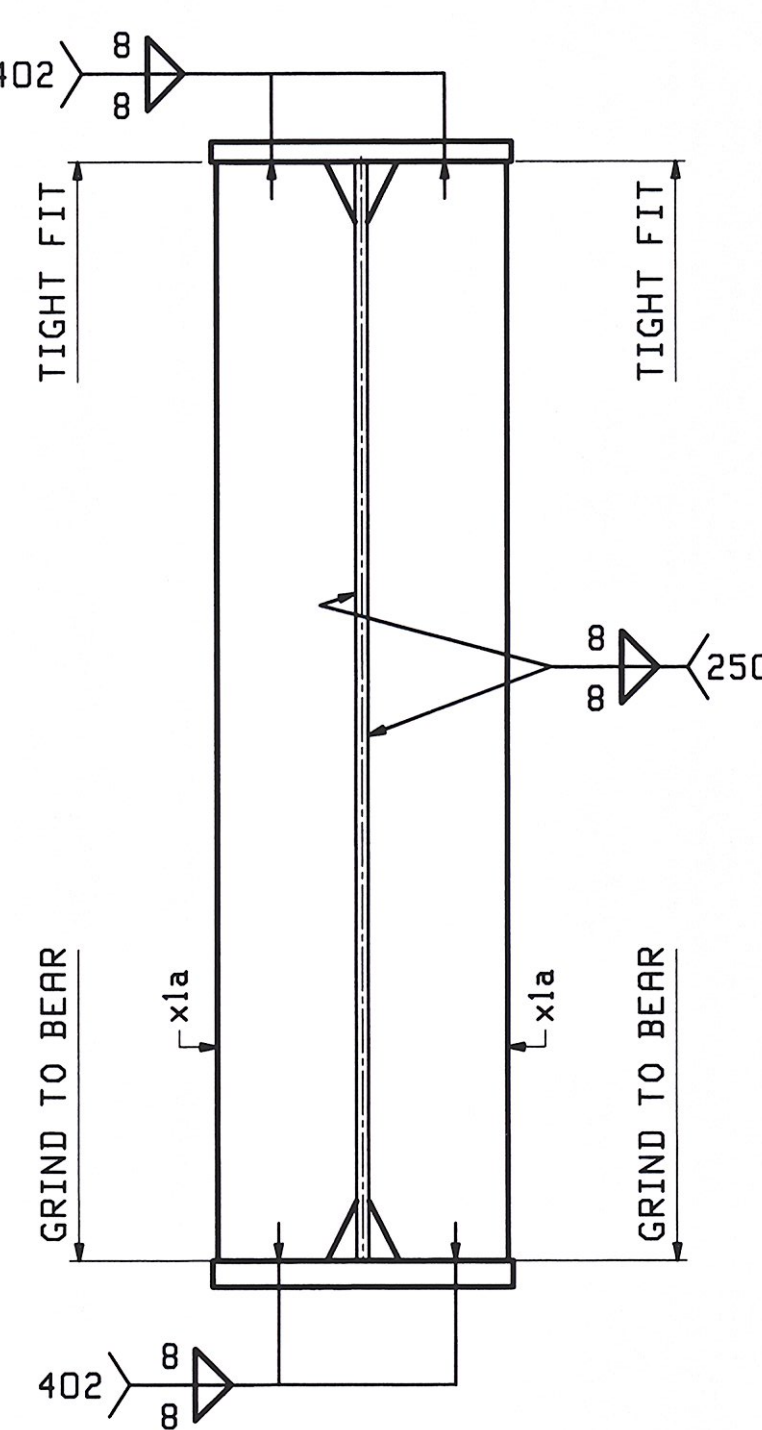
FOR GIRDER STANDARD DETAILS SEE DRAWING X1.  
 FOR CAMBER & FLANGE DIAGRAMS SEE DRAWING C1.  
 FOR GENERAL NOTES SEE DRAWING GNI.  
 T2 DENOTES MATERIAL SUBJECT TO CHARPY V-NOTCH TESTING.



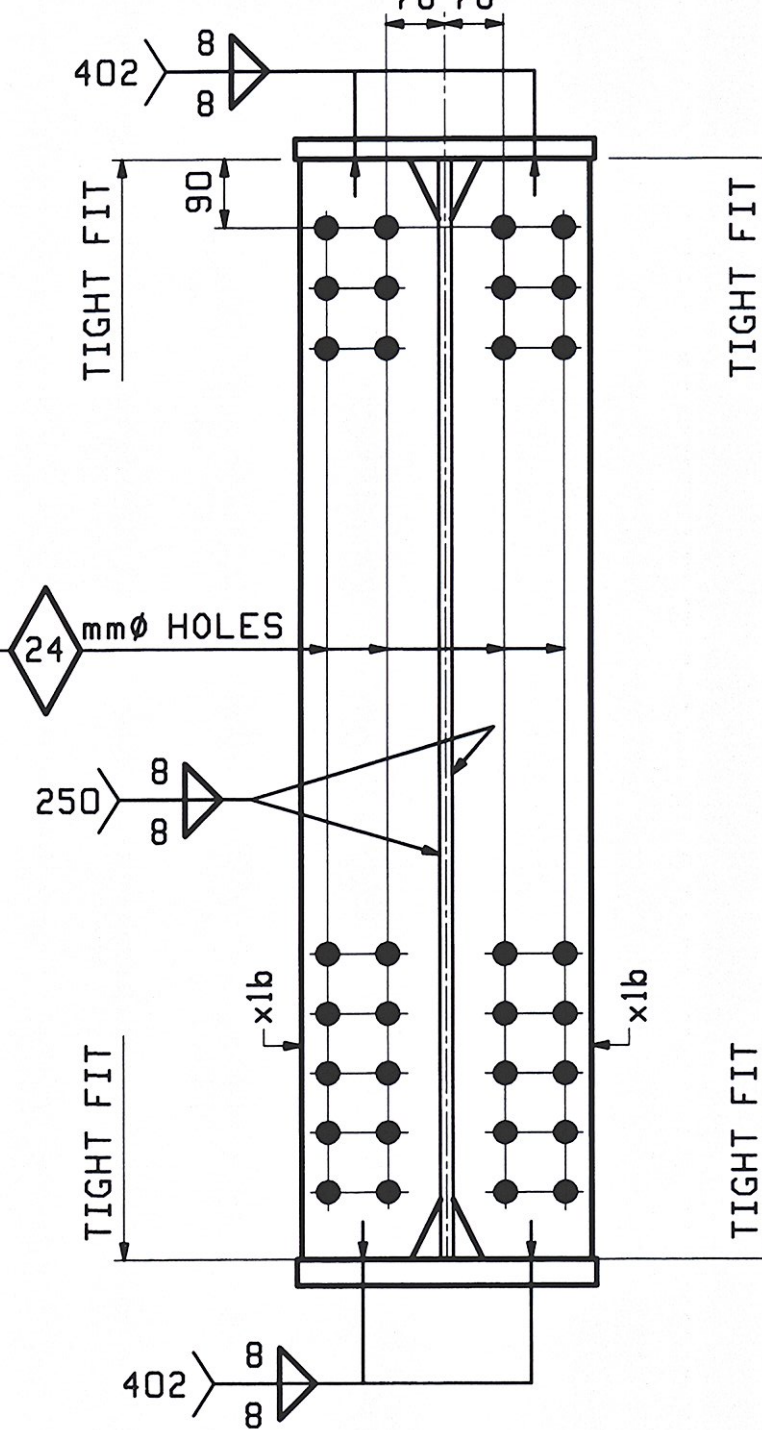
SECTION BB



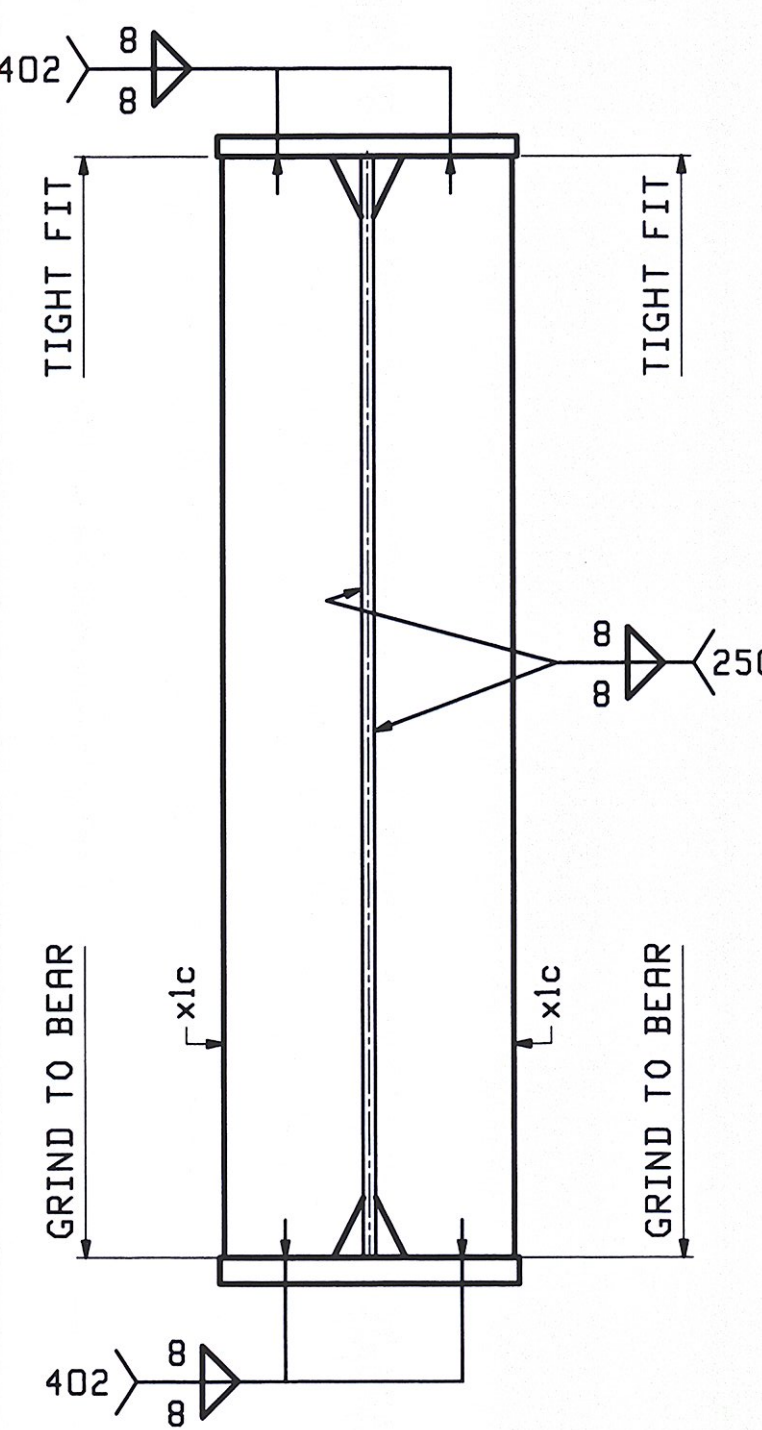
SECTION BA



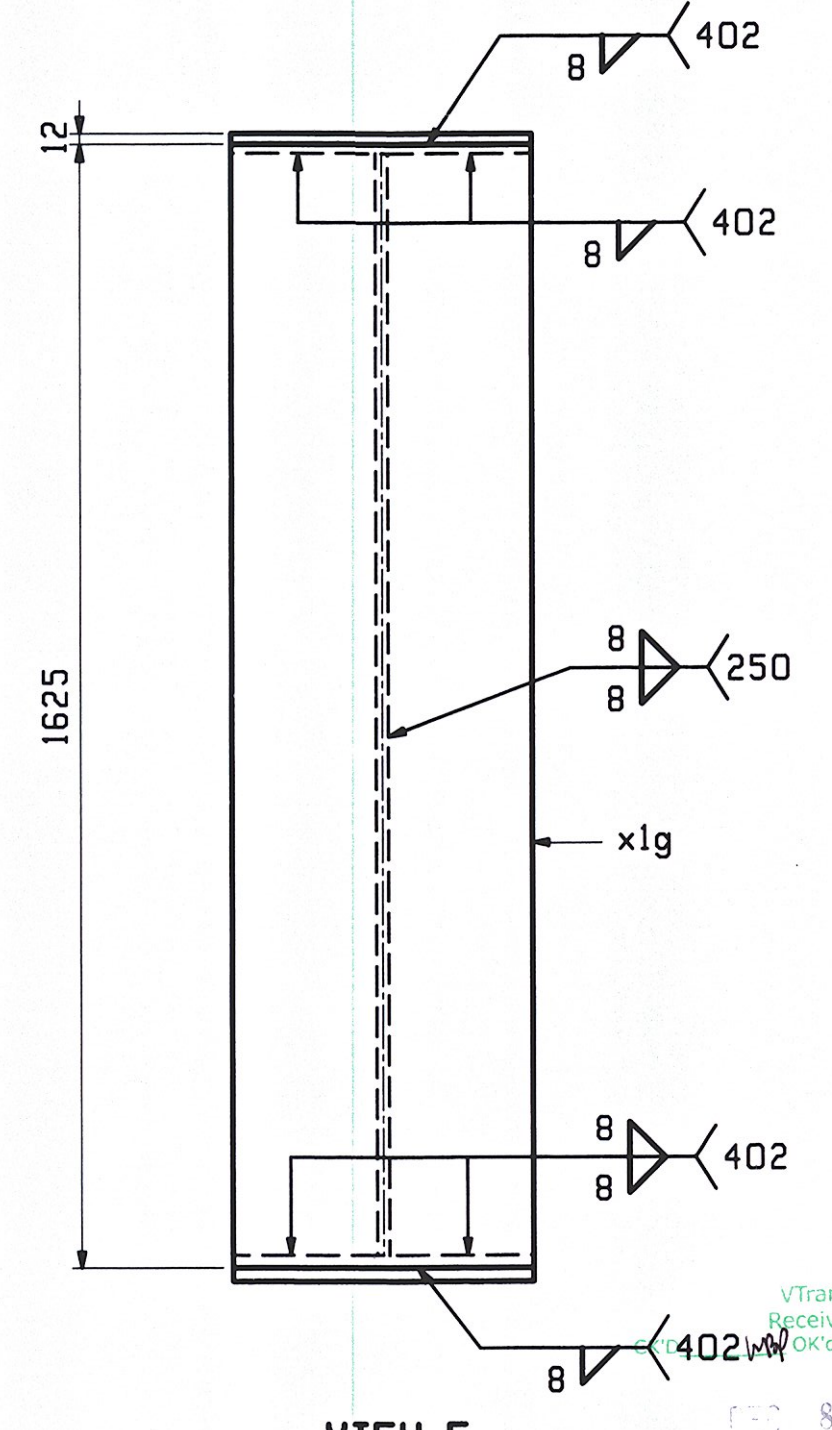
SECTION A



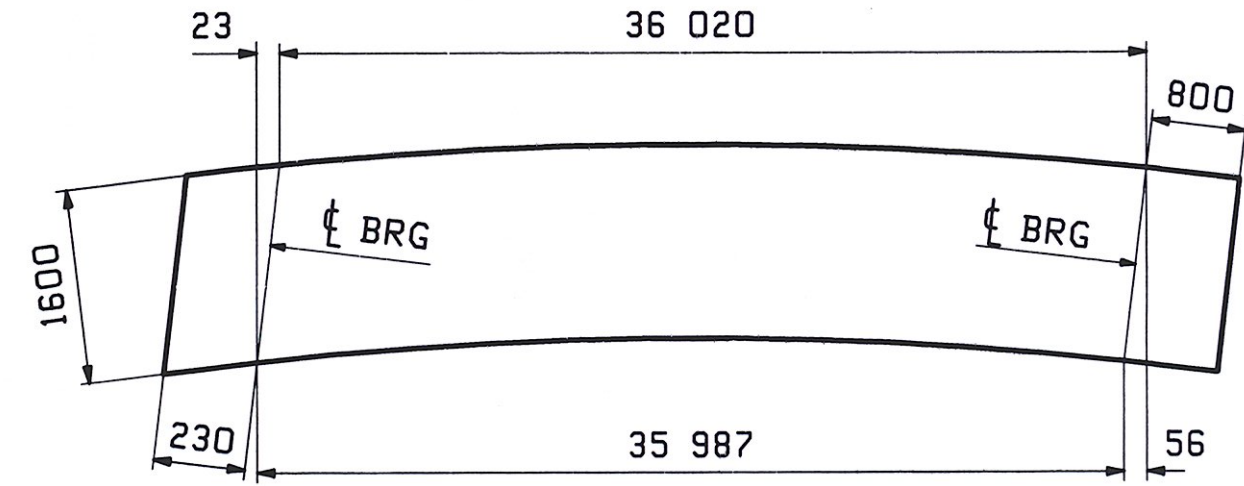
SECTION B



SECTION C



VIEW E



ORIENTATION DIAGRAM FOR CAMBER SEE DWG C1

ABM INFO		SHIP	BILL OF MATERIAL				JOB NO.	DRAWING NO.	REV.
PAGE	LINE	MARK	QTY	MARK	MATERIAL	LENGTH	REMARKS	WT	PROCUREMENT NOTES
		2G2	1		GIRDER				4015 kg
		2G3	1		GIRDER				30887 lb
1	E		2	wa	PL 16x1600	21	M270M-345HT2		
1	G		2	wb	PL 16x1600	15	M270M-345HT2		
1	J		2	ta	PL 22x400	21			
1	L		2	tb	PL 22x400	15			
1	A		2	ba	PL 29x400	21	M270M-345HT2		
1	C		2	bb	PL 29x400	15	M270M-345HT2		
2	B		4	xla	PL 22x190	1	MIE		
2	C		20	xlb	PL 13x190	1	MIE		
2	B		4	xlc	PL 22x190	1	MIE		
2	E		2	xlg	PL 22x400	1	MIE		

REV.	DATE	REMARKS	DWN	CHK	APVL	SHOP
0						
						11-30-11
						19 2011
MATERIAL:		SURFACE PREP. & PRINT:		HOLES:		SHOP BOLTS:
M270M-345W		SEE DWG GNI		AS NOTED		NONE
DESCRIPTION: GIRDERS 2G2 & 2G3						
CASCO BAY STEEL STRUCTURES, INC.						
1 WALLACE AVE.			PHONE (207) 780-6722			
SOUTH PORTLAND, ME 04106			FAX. (207) 780-6726			
STRUCTURE: VT TH 2 over MARLBORO BRANCH			DRAWN: TJB		DATE: 10/12	
BRIDGE NO 14			CHKD: PCP		DATE: 10/14	
NEWFAINE						
County of Windham						
LOCATION: Newfane			JOB NO. 508		DNG NO. 2	
PROJ NO. BRF 0106 (3)S					REV. 1	
CUSTOMER: VT ROT						