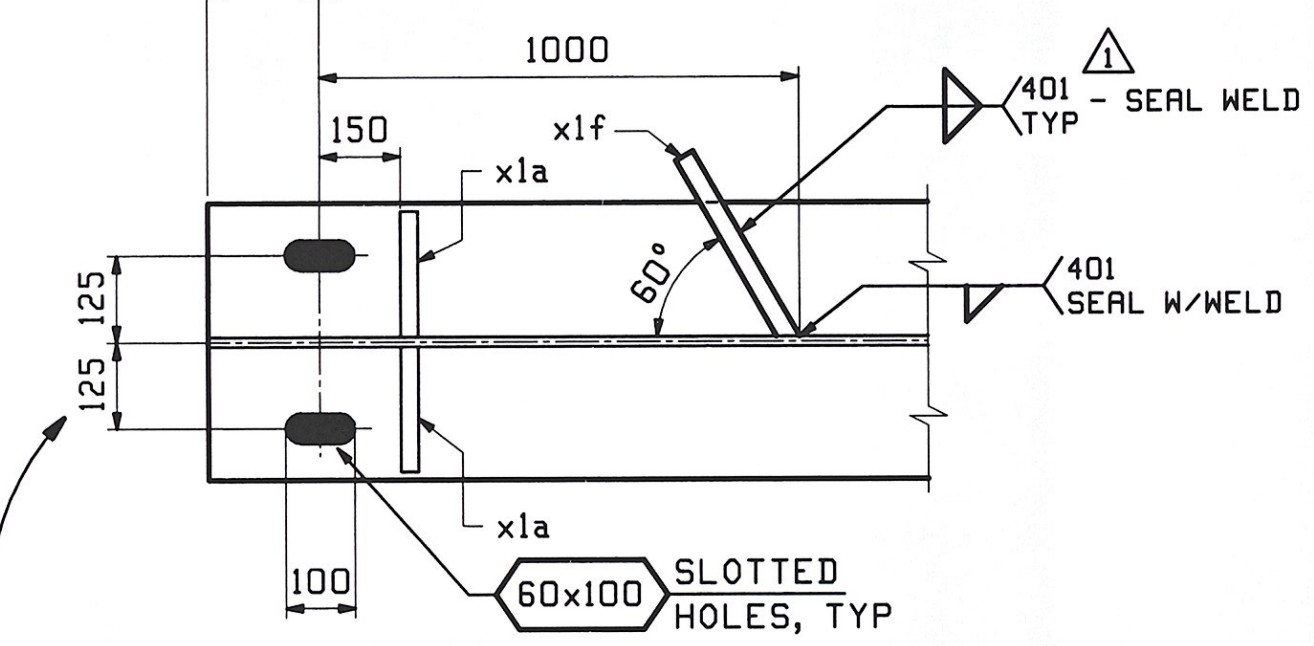


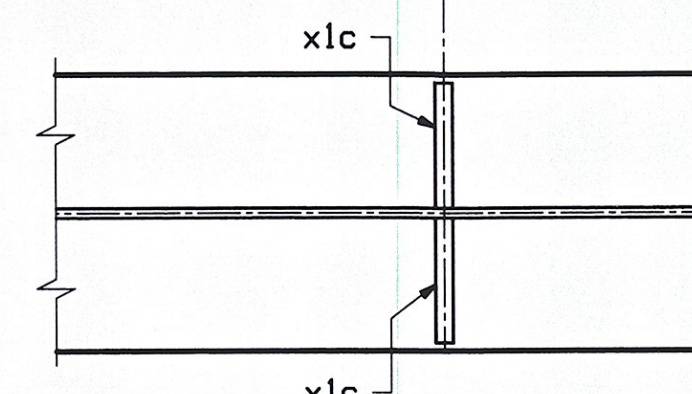
ABM INFO		BILL OF MATERIAL				JOB NO.	DRAWING NO.	REV.	
PAGE	LINE	MARK	QTY	MARK	MATERIAL	LENGTH	REMARKS	WT	PROCUREMENT NOTES
						m	mm		
		IG1	1		GIRDER				13661 kg 10558 lbs
1	E		1	wa	PL 16x1600	21	866		M270M-345HT2
1	G		1	wb	PL 16x1600	15	219		M270M-345HT2
1	J		1	ta	PL 22x400	21	220		
1	L		1	tb	PL 22x400	15	830		
1	A		1	ba	PL 29x400	21	220		M270M-345HT2
1	C		1	bb	PL 29x400	15	797		M270M-345HT2
2	B		2	x1a	PL 22x190	1	600		MIE
2	C		5	x1b	PL 13x190	1	600		
2	B		2	x1c	PL 22x190	1	601		MIE
2	D		1	x1f	PL 6x79	0	275		
2	E		1	x1g	PL 22x400	1	625		

**ONE - GIRDER - IG1**

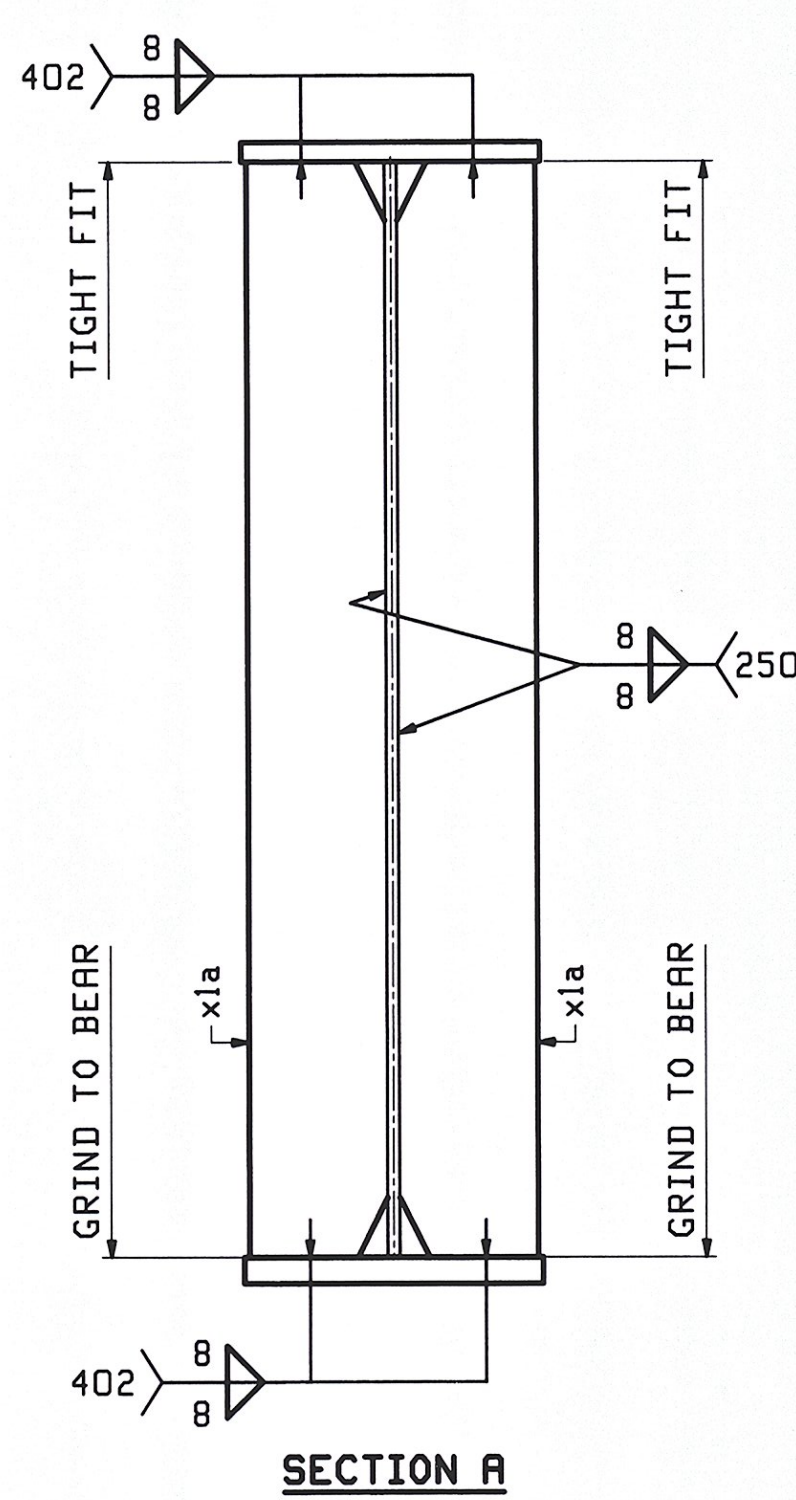
FOR GIRDER STANDARD DETAILS SEE DRAWING X1.  
 FOR CAMBER & FLANGE DIAGRAMS SEE DRAWING C1.  
 FOR GENERAL NOTES SEE DRAWING GNI.  
 T2 DENOTES MATERIAL SUBJECT TO CHARPY V-NOTCH TESTING.



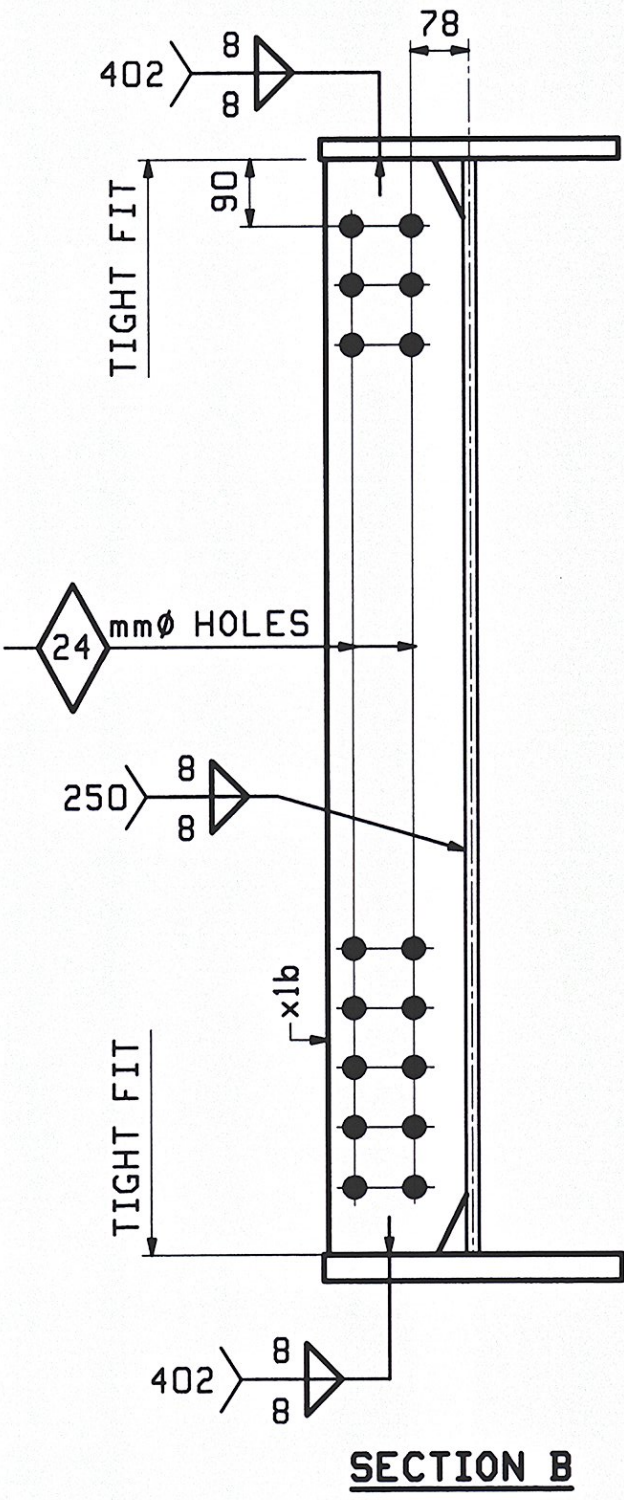
APPROVER VERIFIED DIMENSIONS OKAY  
 NOV 1, 2011



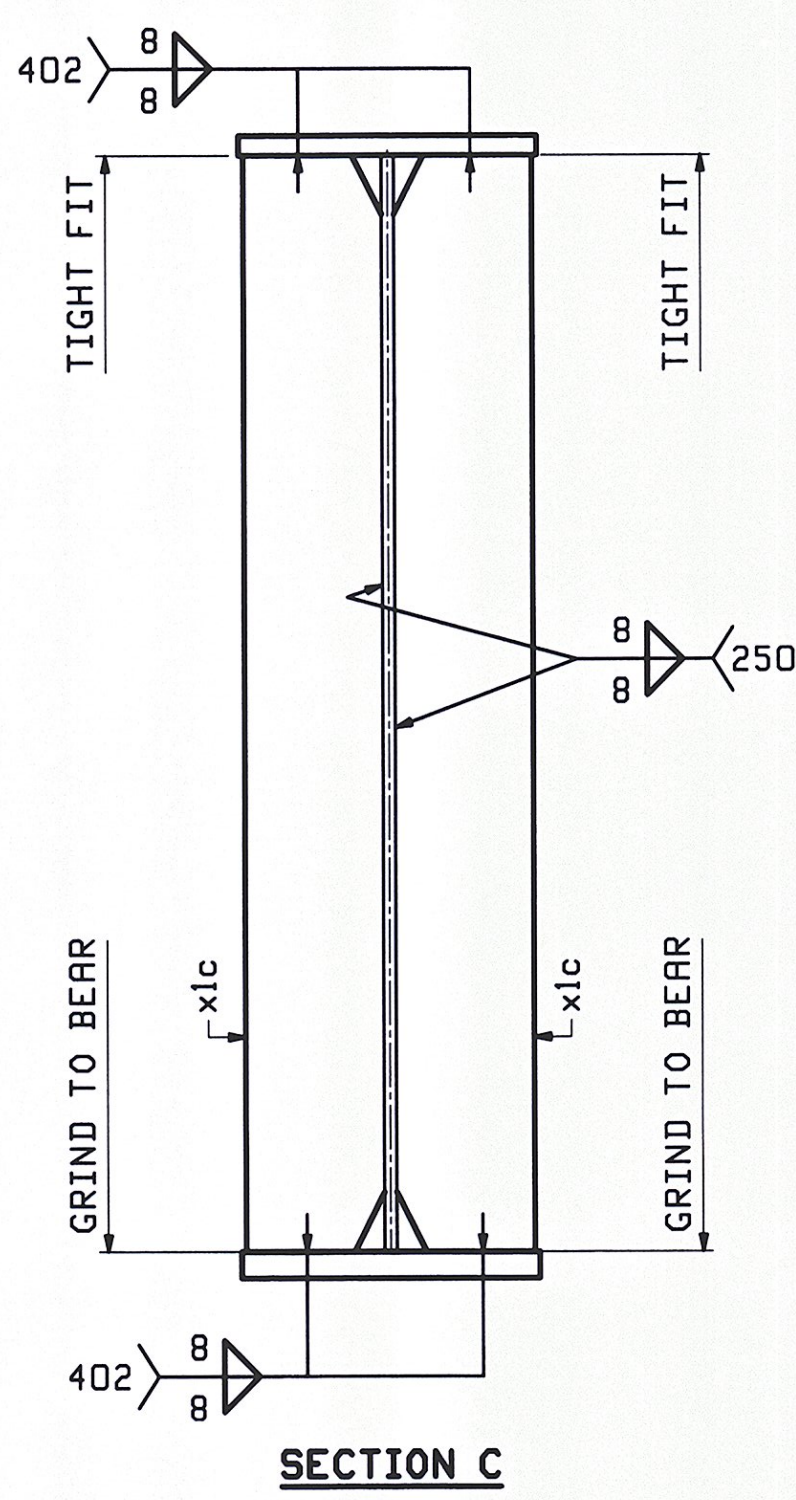
**SECTION BB**



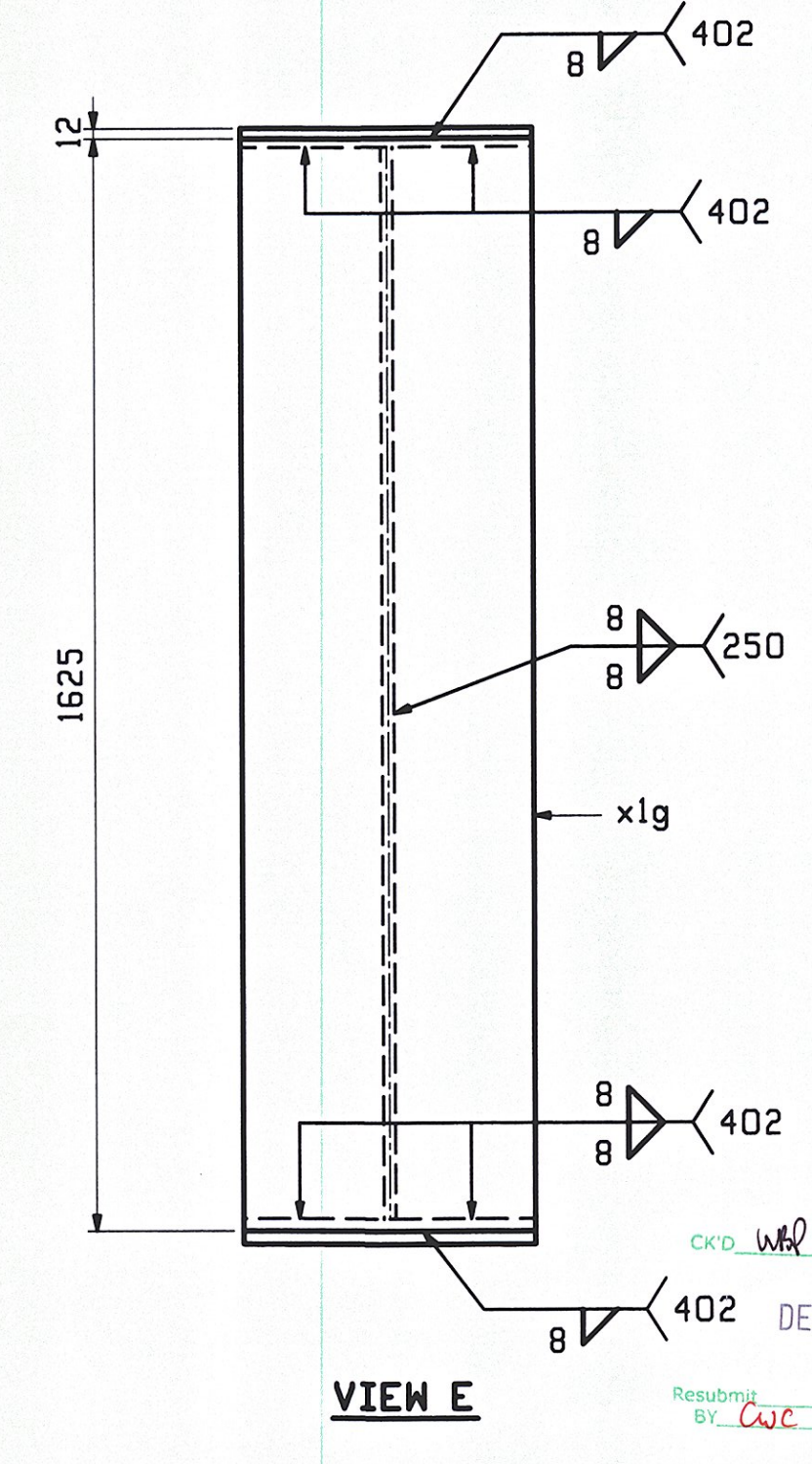
**SECTION A**



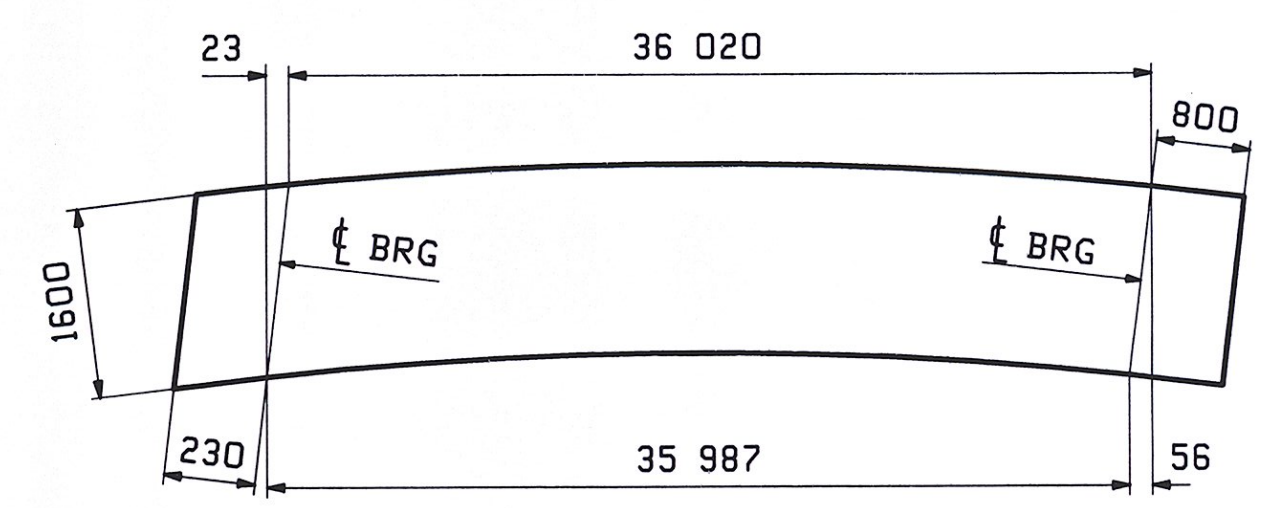
**SECTION B**



**SECTION C**



**VIEW E**



**ORIENTATION DIAGRAM FOR CAMBER SEE DWG C1**

11/09	REVISED PER COMMENTS	TJB	PCP		
0					11-30-11
REV. DATE	REMARKS	DWN	CHK	APVL	SHOP
MATERIAL:	SURFACE PREP. & PAINT:	HOLES:		SHOP BOLTS:	
M270M-345W	SEE DWG GNI	AS NOTED		NONE	
DESCRIPTION: GIRDER IG1					
CASCO BAY STEEL STRUCTURES, INC.					
1 WALLACE AVE.			PHONE (207) 780-6722		
SOUTH PORTLAND, ME 04106			FAX. (207) 780-6726		
STRUCTURE: VT TH 2 over MARLBORO BRANCH				DRAWN:	DATE:
BRIDGE NO 14				TJB	10/12
NEWFANE				CHKD:	DATE:
County of Windham				PCP	10/14
LOCATION: Newfane				JOB NO.	DWG NO.
PROJ NO. BRF 0106 (3)S				508	1
CUSTOMER: VT AOT					REV. 1

PCP Nov 21, 2011 04:35:11 PM C:\csc\csc\brf0106\1 Rev1