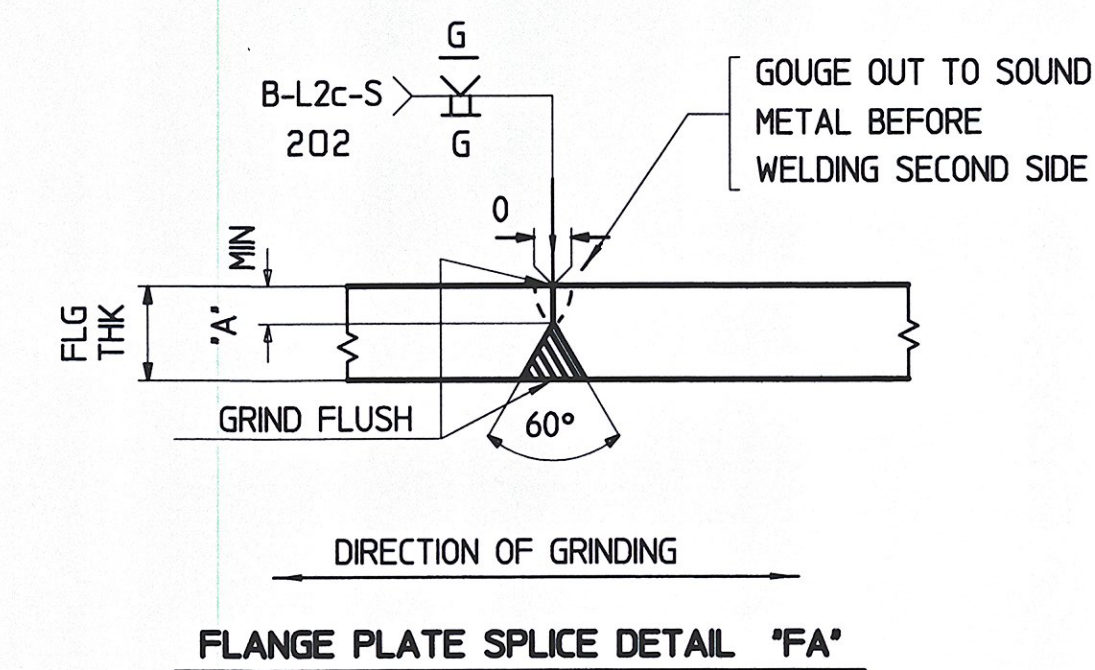
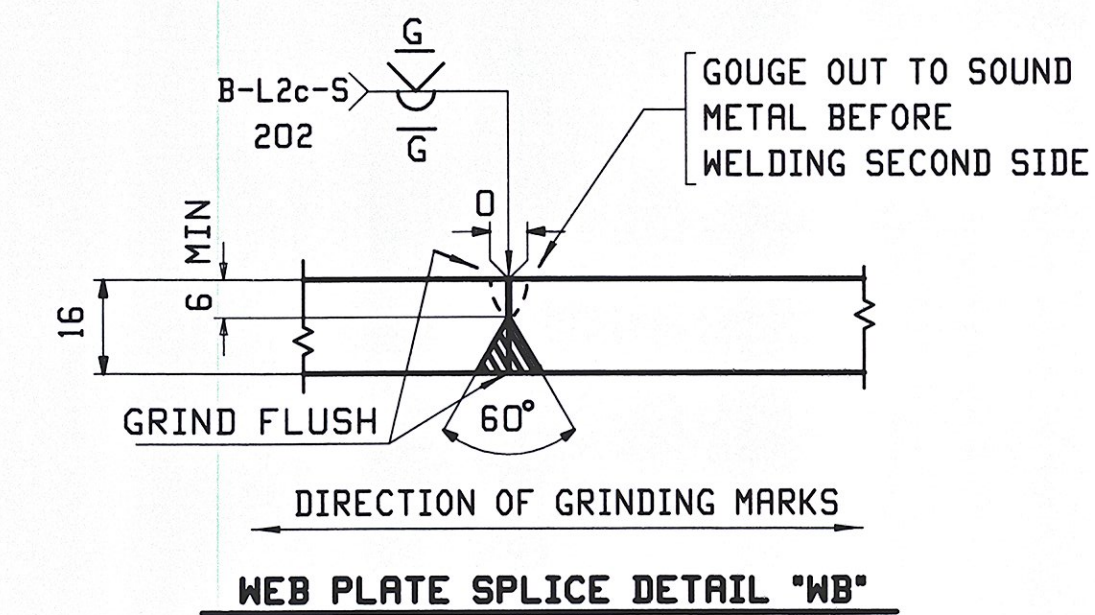
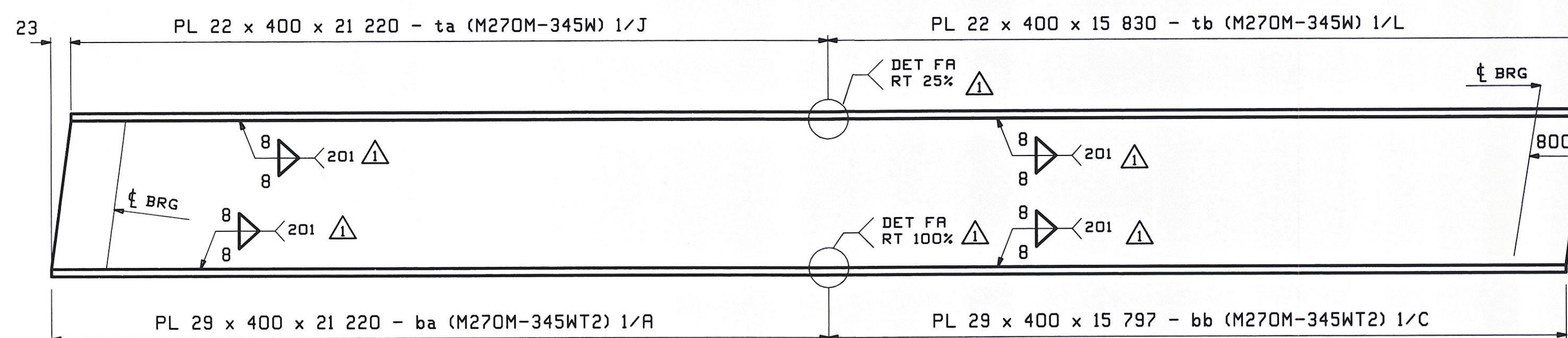


**CAMBER DIAGRAM FOR 1G1, 2G2, 2G3 & 3G4**



FLG THK	'A'
22	6
29	10



**FLANGE DIAGRAM FOR 1G1, 2G2, 2G3 & 3G4**

**NOTES:**

- FOR GENERAL NOTES SEE DRAWING GNI.
- T2 DENOTES MATERIAL SUBJECT TO CHARPY V-NOTCH TEST AT H FREQ. FOR ZONE 2

REV.	DATE	REMARKS	DWN	CHK	APVL	SHOP
Δ	10/26	REVISED PER COMMENTS	TJB	PCP		
0						11-30-11
MATERIAL:		SURFACE PREP. & PAINT:		HOLES:		SHOP BOLTS:
AS NOTED		SEE SHEET GNI		NONE		NONE
DESCRIPTION: WEB & FLANGE CUTTING						
CASCO BAY STEEL STRUCTURES, INC. 1 WALLACE AVE. PHONE (207) 780-6722 SOUTH PORTLAND, ME 04106 FAX. (207) 780-6726						
STRUCTURE: VT TH 2 over MARLBORO BRANCH BRIDGE NO 14 NEWFANE County of Windham				DRAWN:	DATE:	
				TJB	10/12	
				CHKD:	DATE:	
				PCP	10/14	
LOCATION: Newfane			JOB NO.	DWG NO.		
PROJ NO. BRF 0106 (3)S			508	C1		
CUSTOMER: VT ROT			REV. Δ			

VTrans  
Received  
OK'd BY  
DEC 8 2011  
APPROVED  
DATE 12-14-11