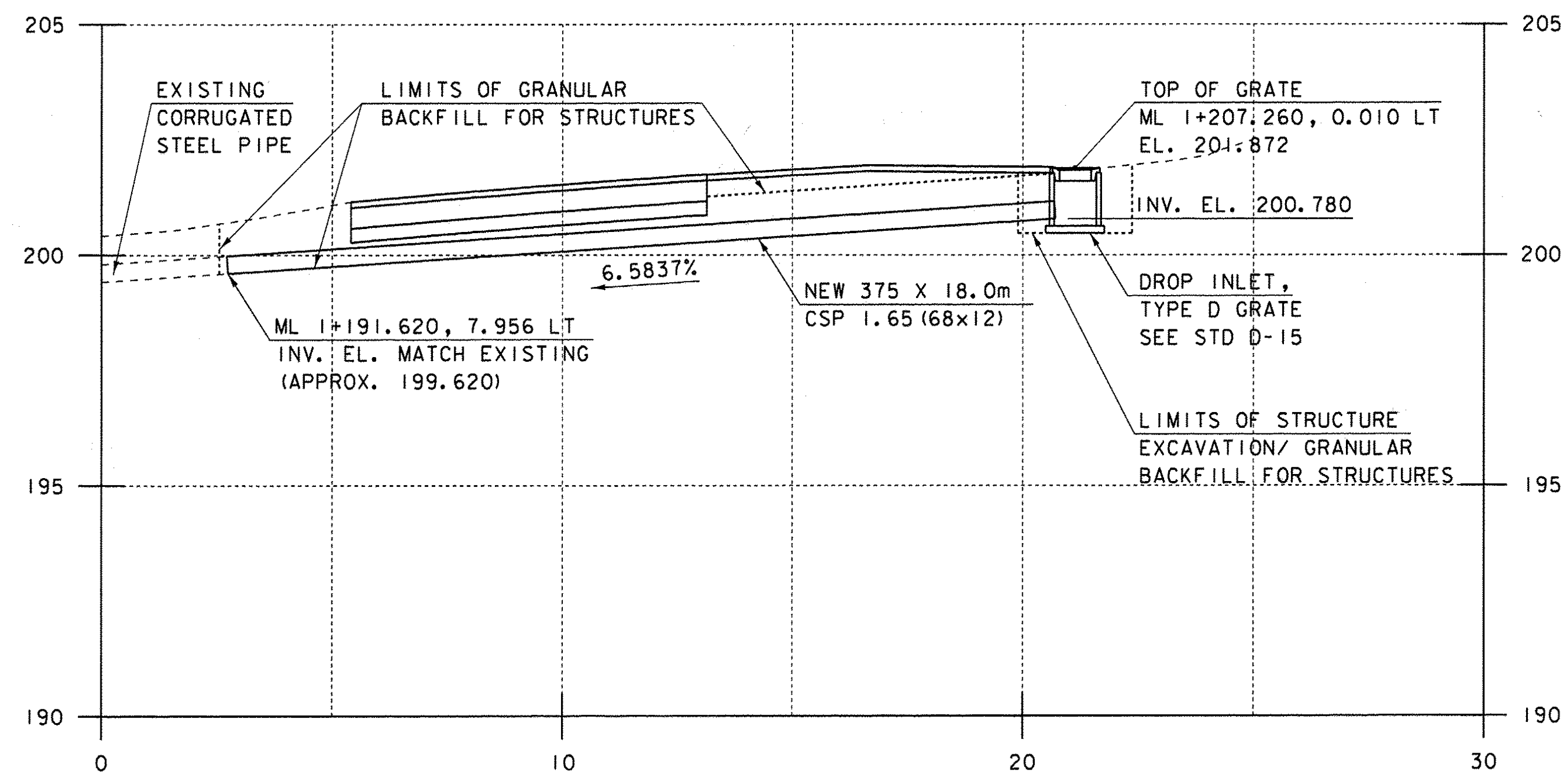


PIPE 4 PROFILE

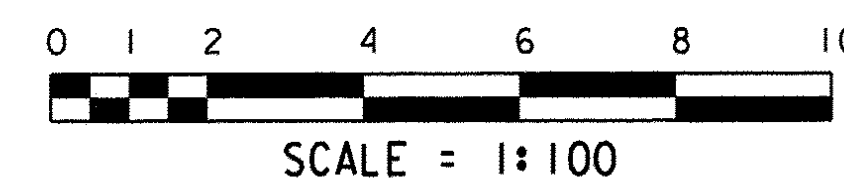
TRENCH EXCAVATION OF EARTH
 D.I. (ABOVE 1.5m) - 3.5, 3.5, 3.5 = 3.5 AVG SM
 D.I. (BELOW 1.5m) - 3, 3, 3 = 3 AVG SM
 PIPE EXCAVATION - 9.1, 9.2, 9.4 = 9.23 AVG SM
 + D.I. (ABOVE 1.5m)

MTL 3/20/13

C-066 3/20/13



PIPE 6 PROFILE



PROJECT NAME:	NEWFANE	PLOT DATE:	02-AUG-2012
PROJECT NUMBER:	BRF 0106(3)S	DRAWN BY:	C. MOONEY
FILE NAME:	s95j280 drain.dgn	CHECKED BY:	G. ROY
PROJECT LEADER:	C. CARLSON	DRAINAGE PROFILE SHEET	SHEET 1 OF 1
DESIGNED BY:	C. MOONEY		