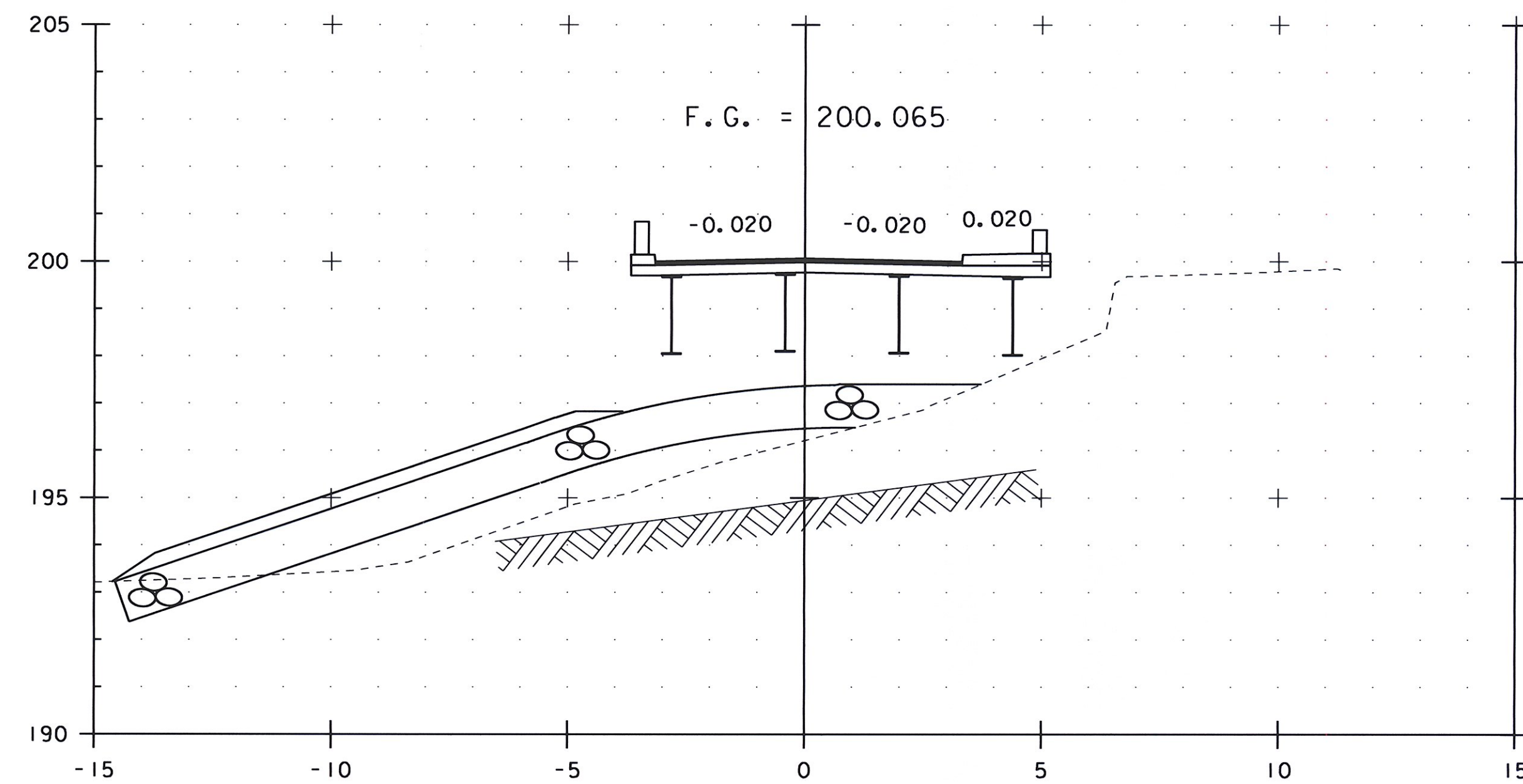
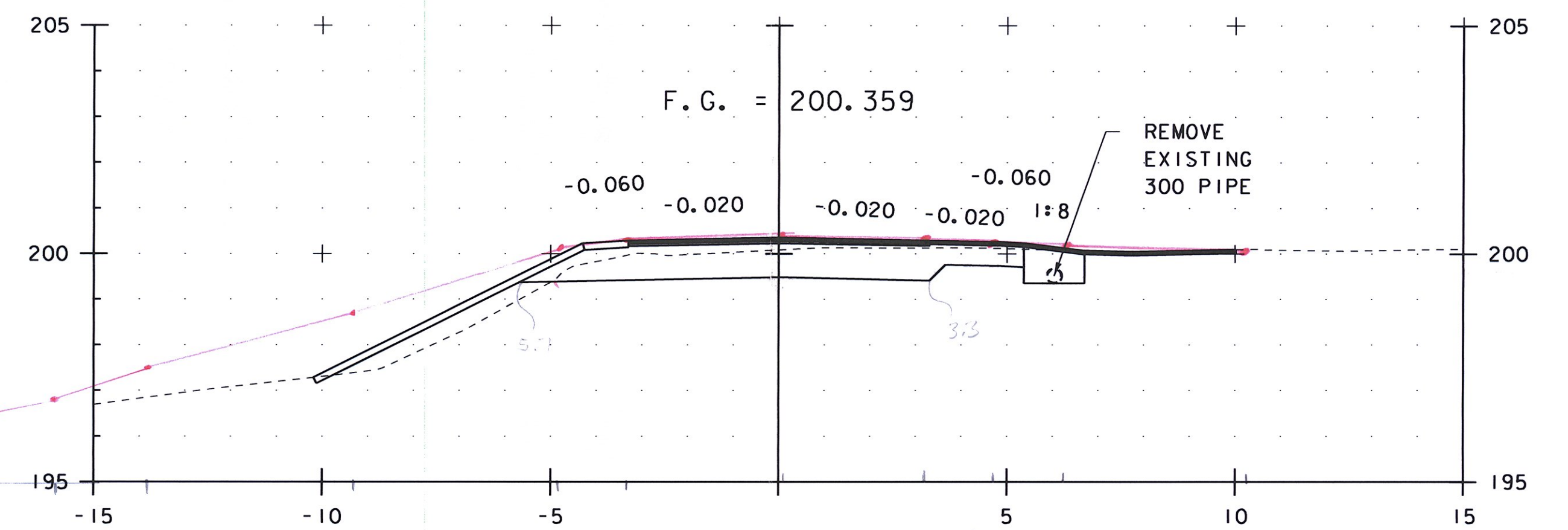


I+154.900
END BRIDGE

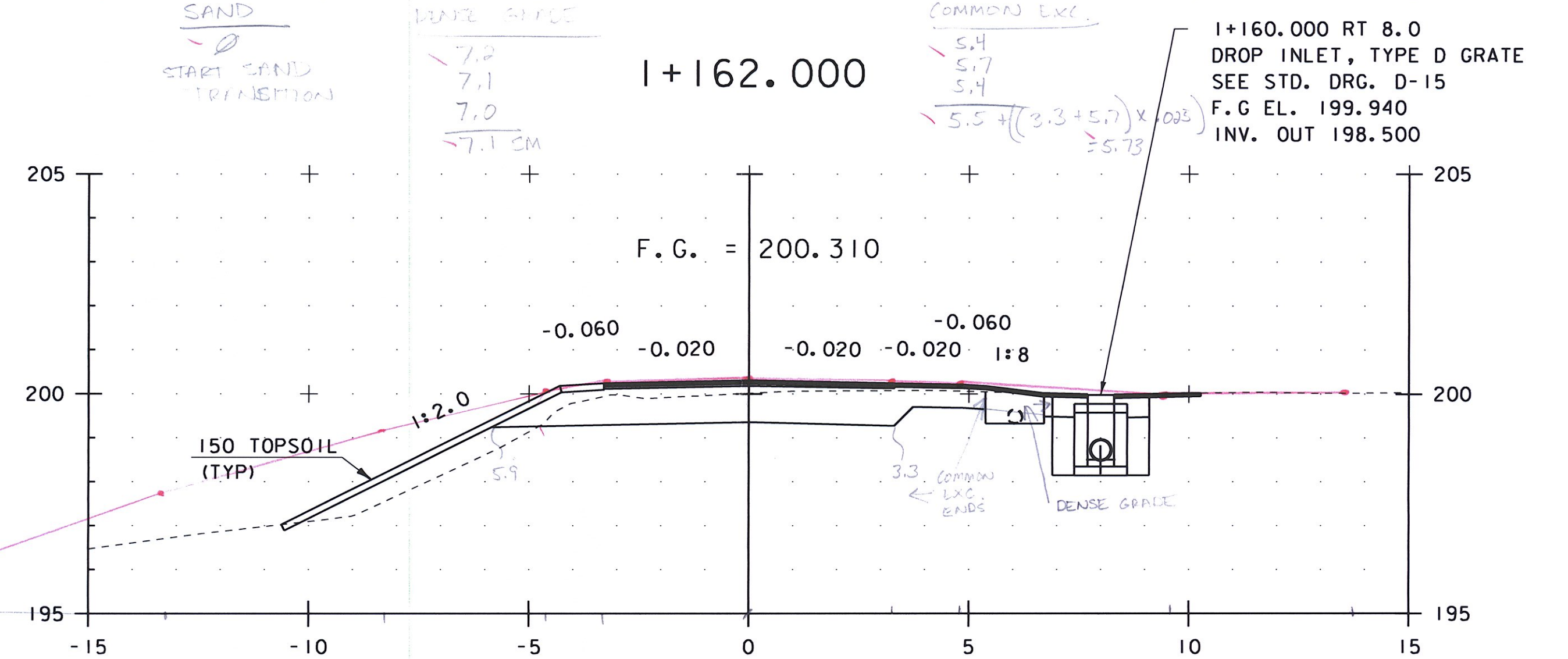
I+154.900



I+150.000



I+162.000



I+160.000

DENSE GRAVEL
8.2
8.0
8.3
8.4 SM

COMMON EXC
5.9
5.8
6.2
5.97 + ((3.3 x 5.8) x 0.05) = 6.2 SM

STA. I+150 TO STA. I+162

PROJECT NAME:	NEWFANE	PLOT DATE:	22-OCT-2012
PROJECT NUMBER:	BRF 0106 (3)S	DRAWN BY:	C. MOONEY
FILE NAME:	s951280xs.dgn	CHECKED BY:	G. SWEENEY
PROJECT MANAGER:	C. CARLSON	ROADWAY CROSS SECTIONS	5
DESIGNED BY:	T. LACKEY		
			SHEET 51 OF 70