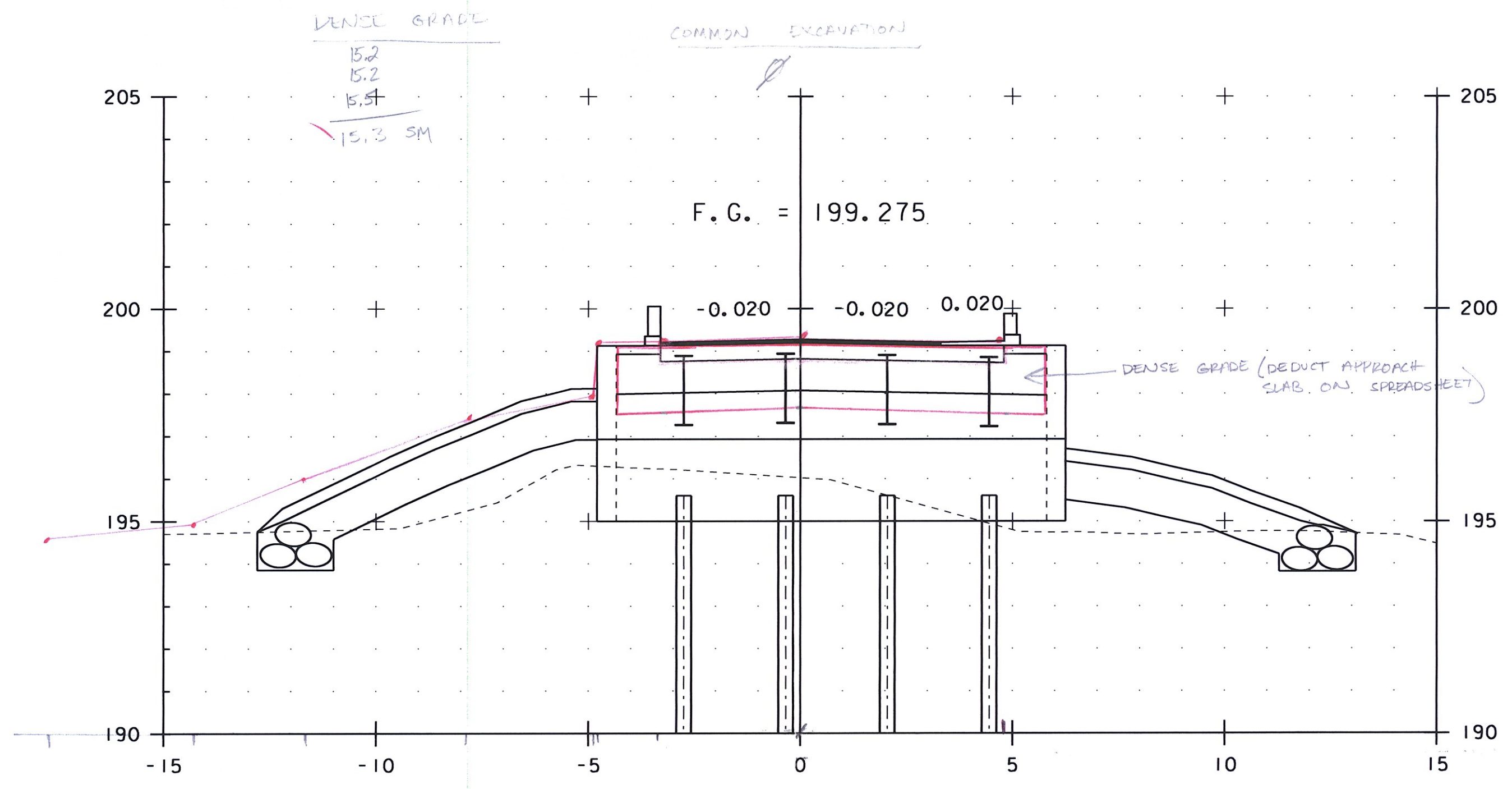
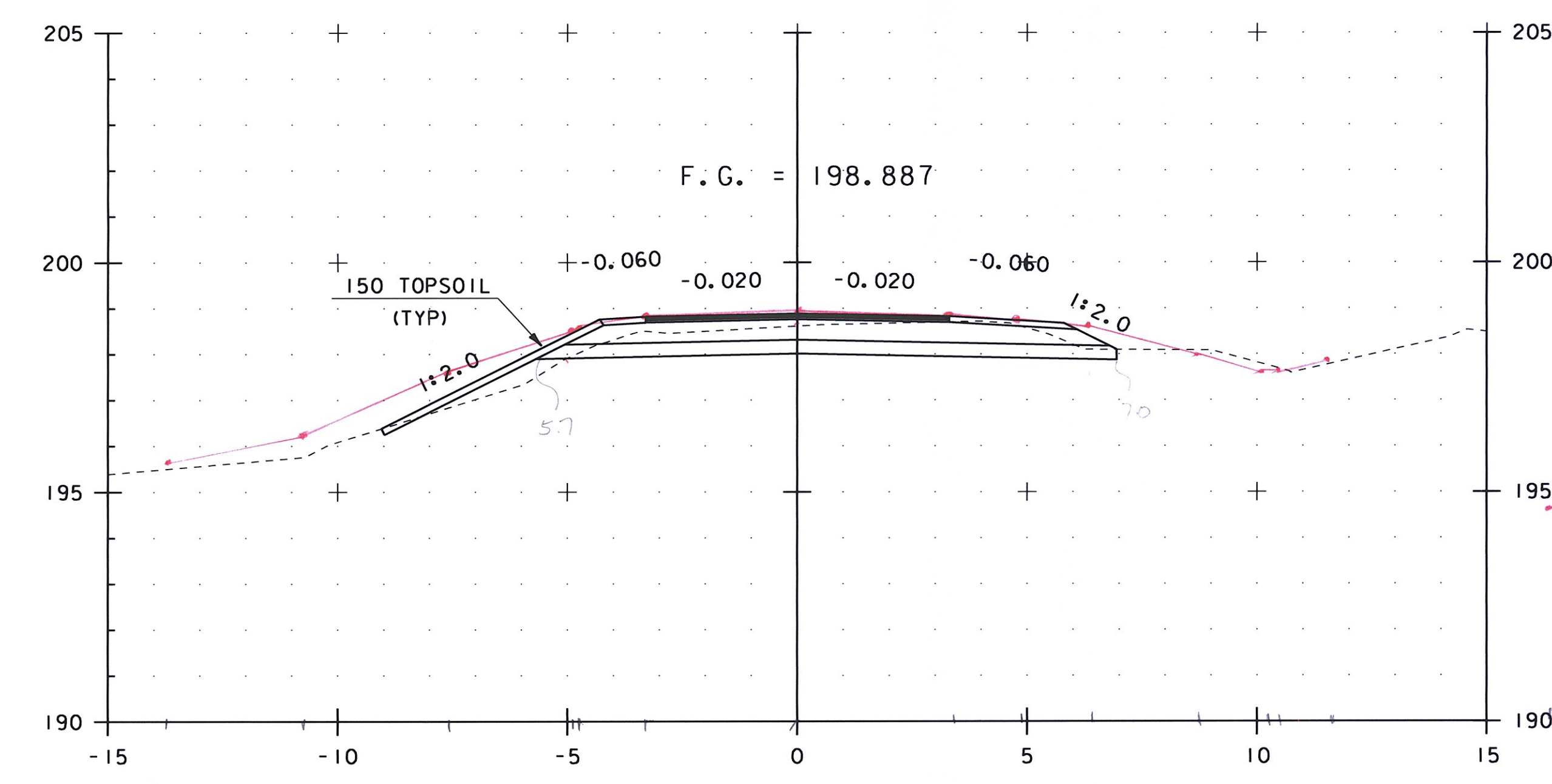


I+103.000 (END FULL DEPTH SAND)

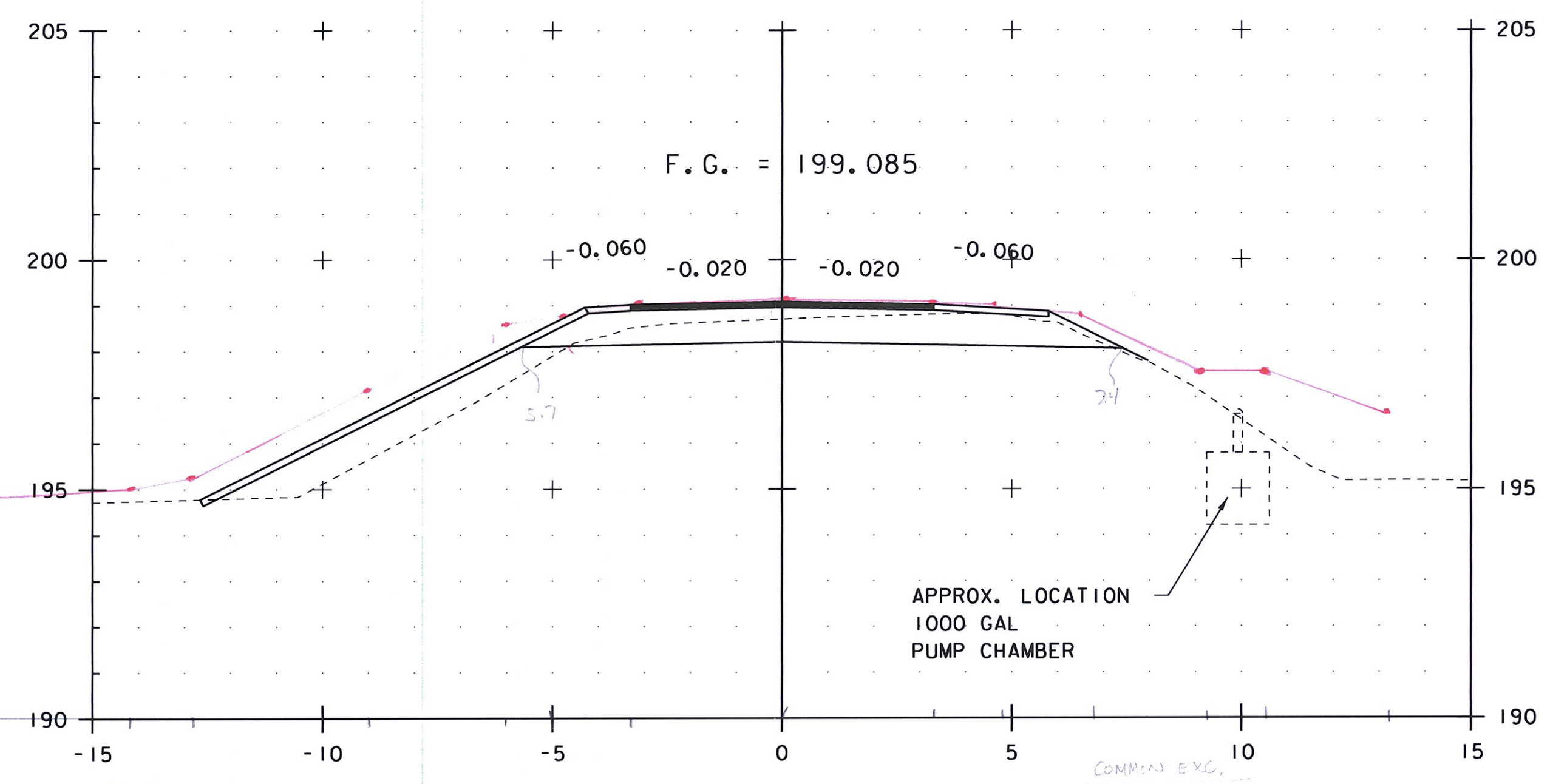


I+117.750 BEGIN BRIDGE



I+100.000

MTC
12/6/12
COTA
3/13/13



I+110.000 (END SAND)

PROJECT NAME:	NEWFANE	PLOT DATE:	22-OCT-2012
PROJECT NUMBER:	BRF 0106 (3)S	DRAWN BY:	C. MOONEY
FILE NAME:	s95j280xs.dgn	CHECKED BY:	G. SWEENEY
PROJECT MANAGER:	C. CARLSON	ROADWAY CROSS SECTIONS	3
DESIGNED BY:	T. LACKEY	SHEET	49 OF 70

STA. I+100 TO STA. I+118