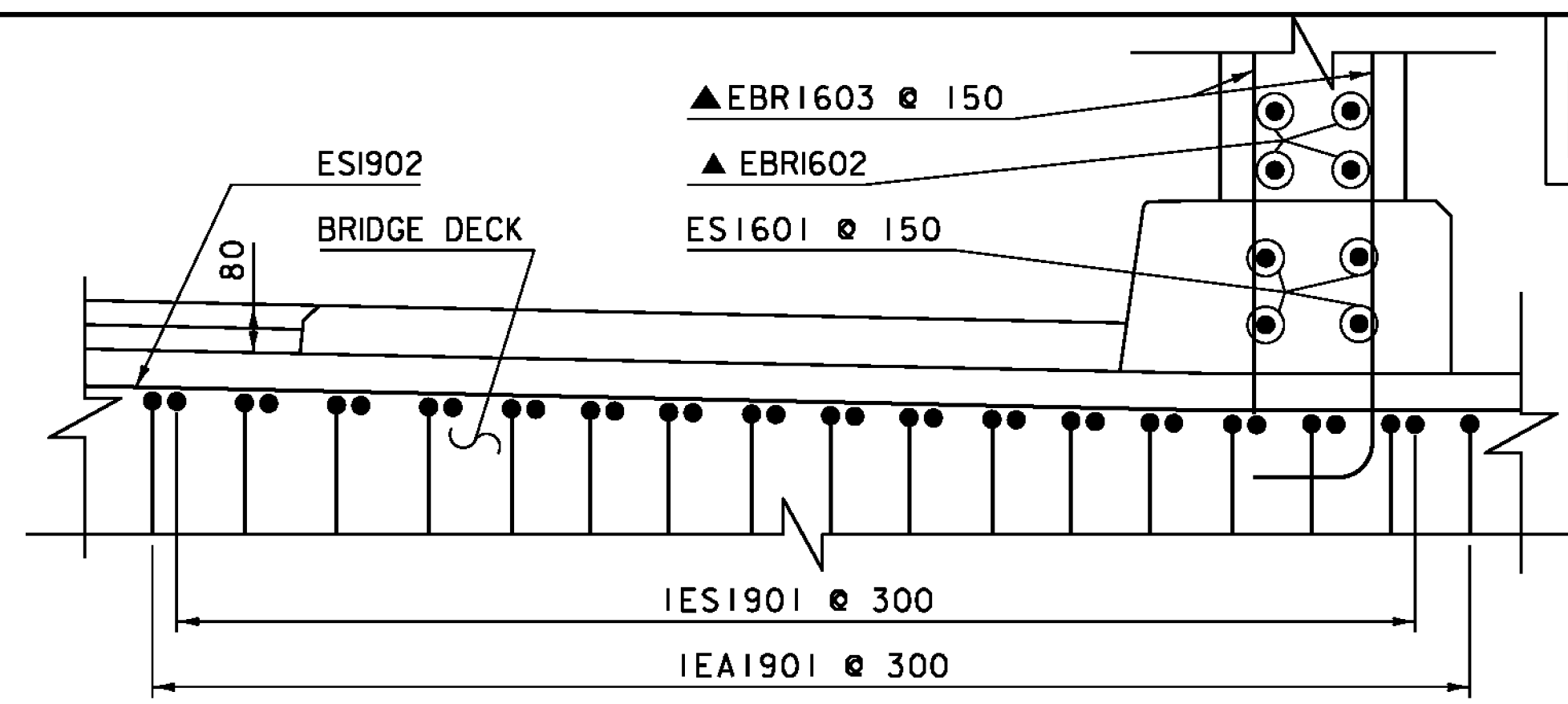
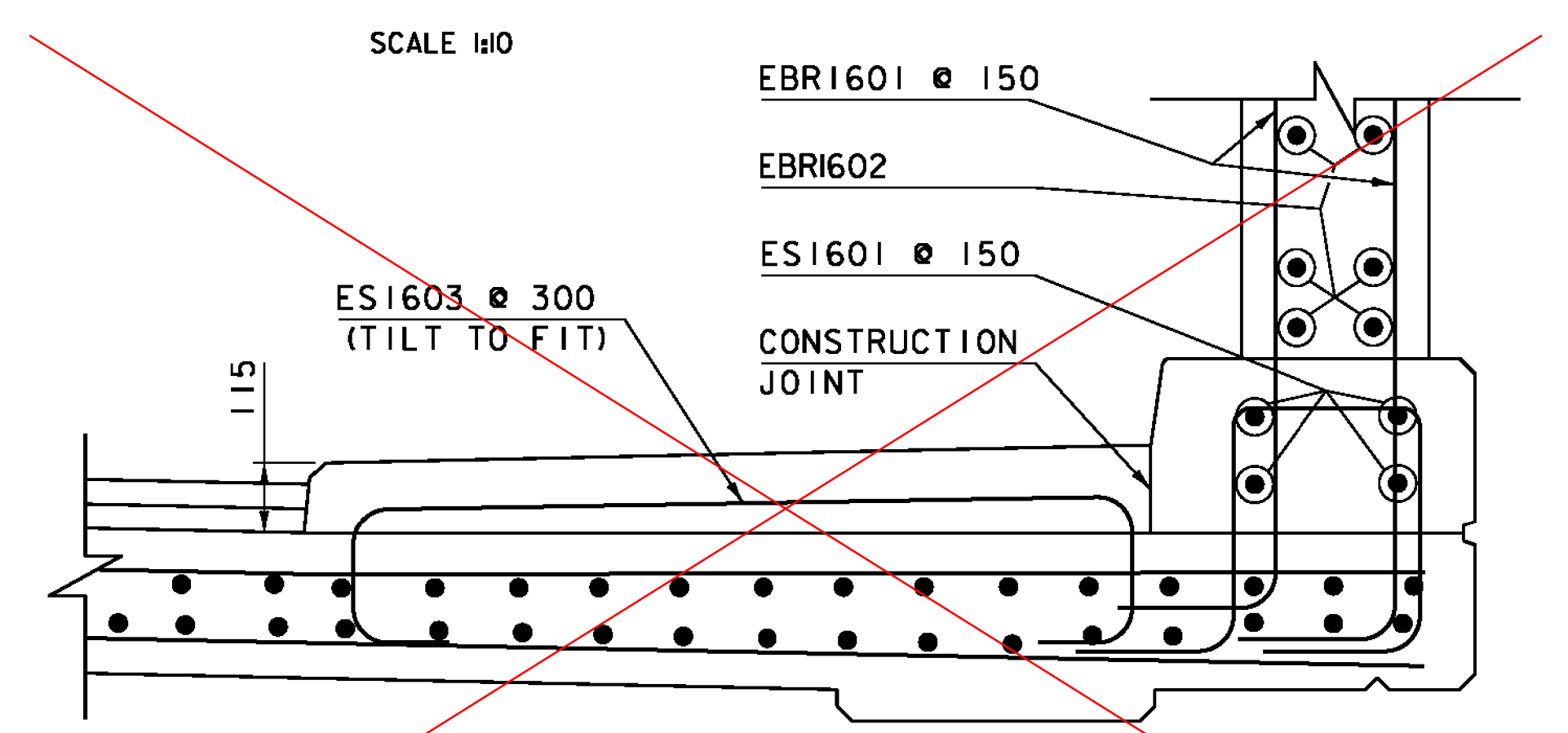


BRIDGE RAILING END BLOCK & SIDEWALK PLAN
SCALE 1:10

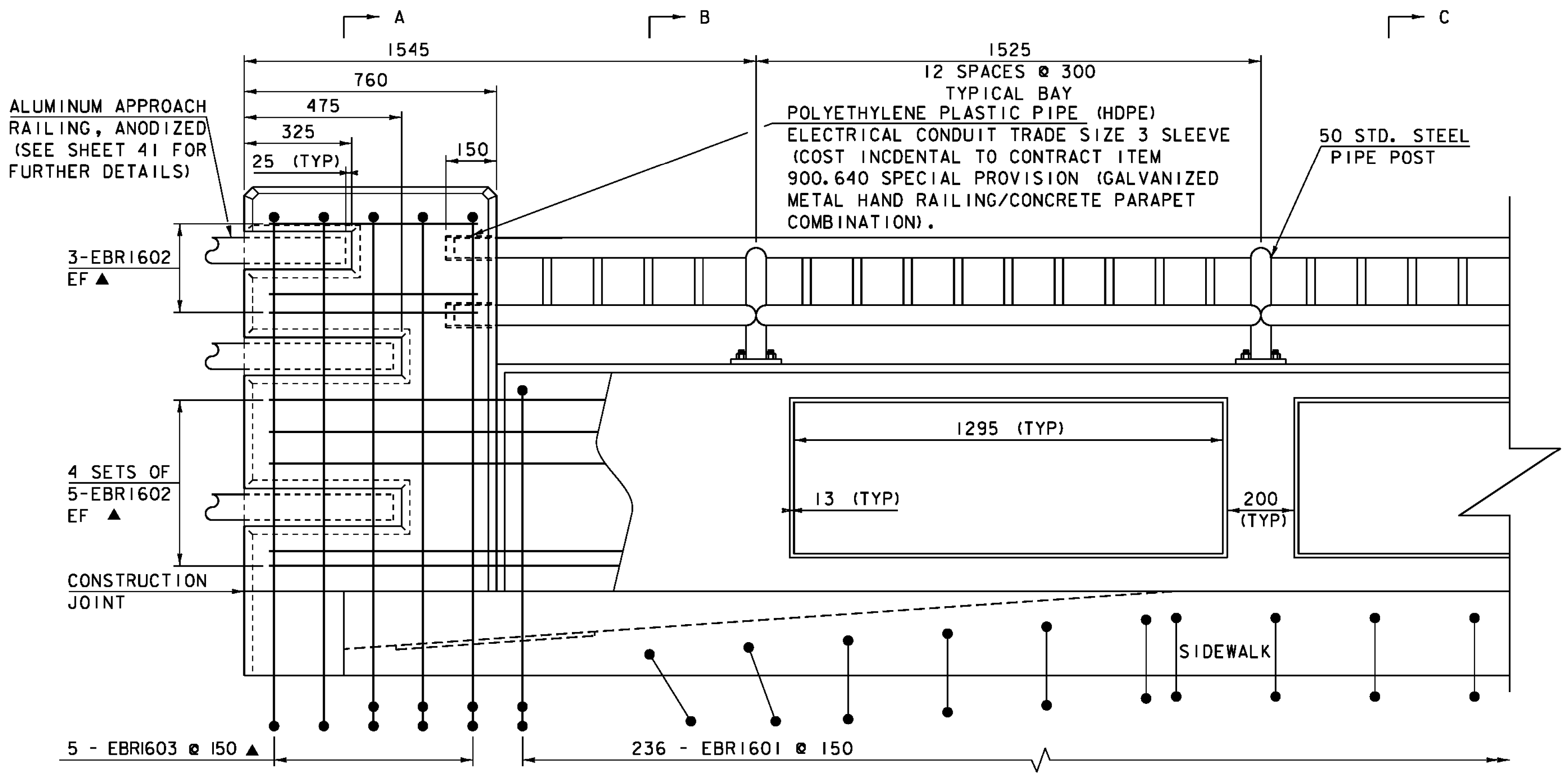


PARTIAL BRIDGE RAILING & SIDEWALK SECTION A-A

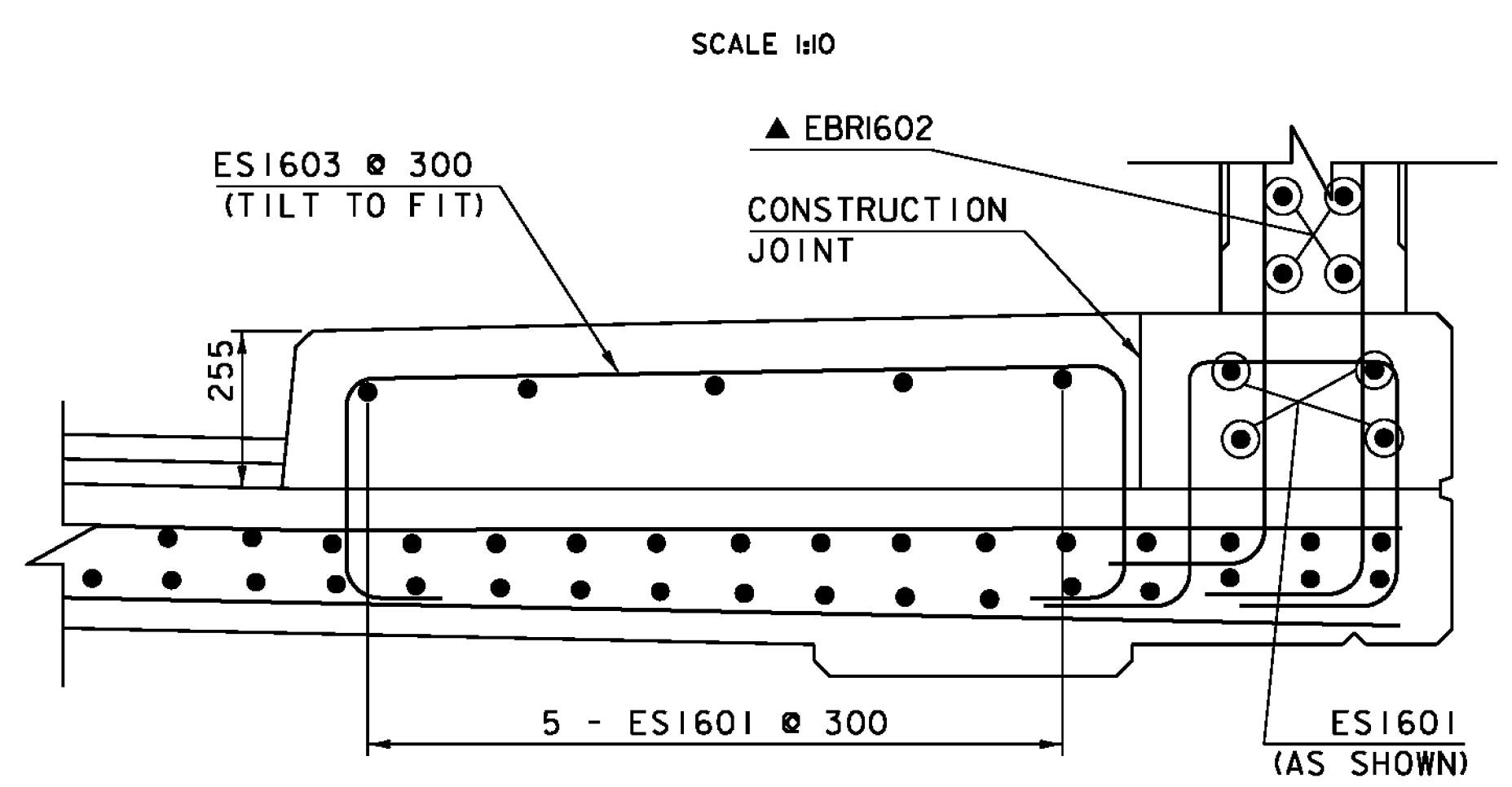
NOTE:
ESI603 REMOVED DUE TO LACK OF COVER



PARTIAL BRIDGE RAILING & SIDEWALK SECTION B-B



BRIDGE RAILING END BLOCK & SIDEWALK ELEVATION
SCALE 1:10



PARTIAL BRIDGE RAILING & SIDEWALK SECTION C-C

NOTES:
NF = NEAR FACE
FF = FAR FACE
EF = EACH FACE
▲ = CUT TO FIT IN FIELD
80 COVER UNLESS OTHERWISE SPECIFIED ON THE PLANS

PROJECT NAME:	NEWFANE	PLOT DATE:	22-JUL-2011
PROJECT NUMBER:	BRF 0106(3)S	DRAWN BY:	C. MOONEY
FILE NAME:	s95j280rall det.dgn	CHECKED BY:	G. SWEENEY
PROJECT LEADER:	C. CARLSON	SHEET	45 OF 70
DESIGNED BY:	T. LACKEY	BRIDGE RAILING DETAIL	2