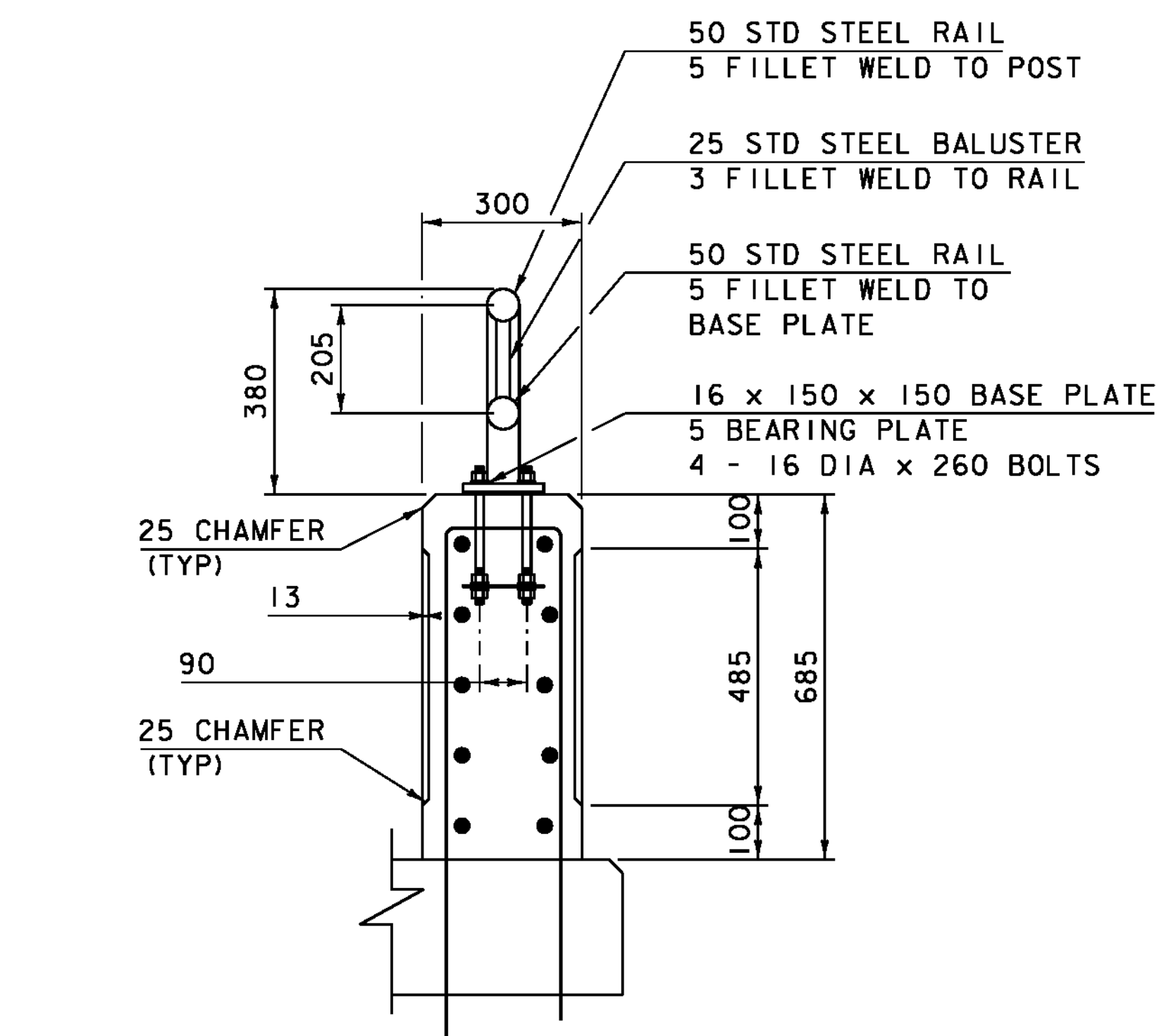
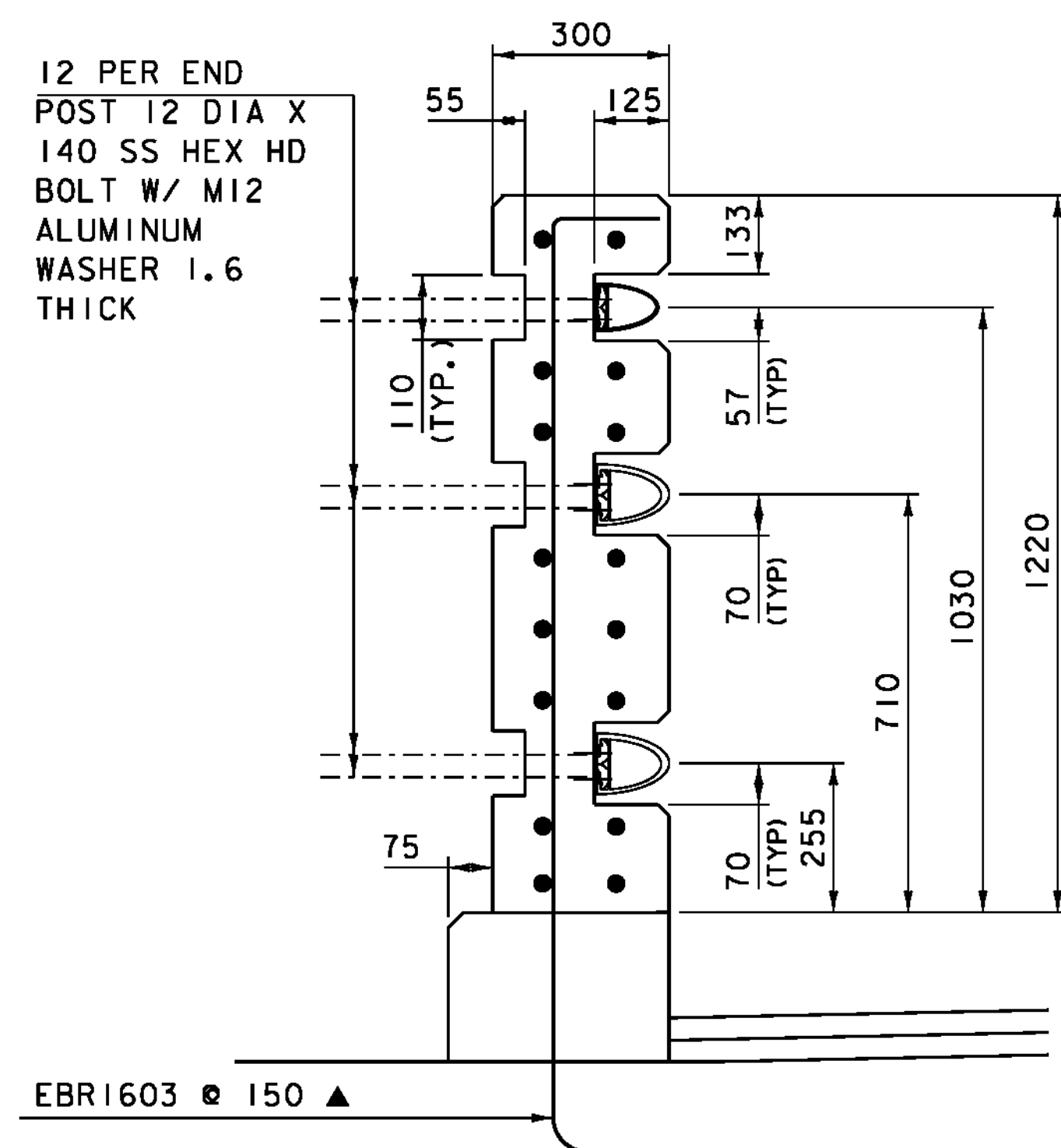


BRIDGE RAILING END BLOCK
INTERIOR FACE ELEVATION



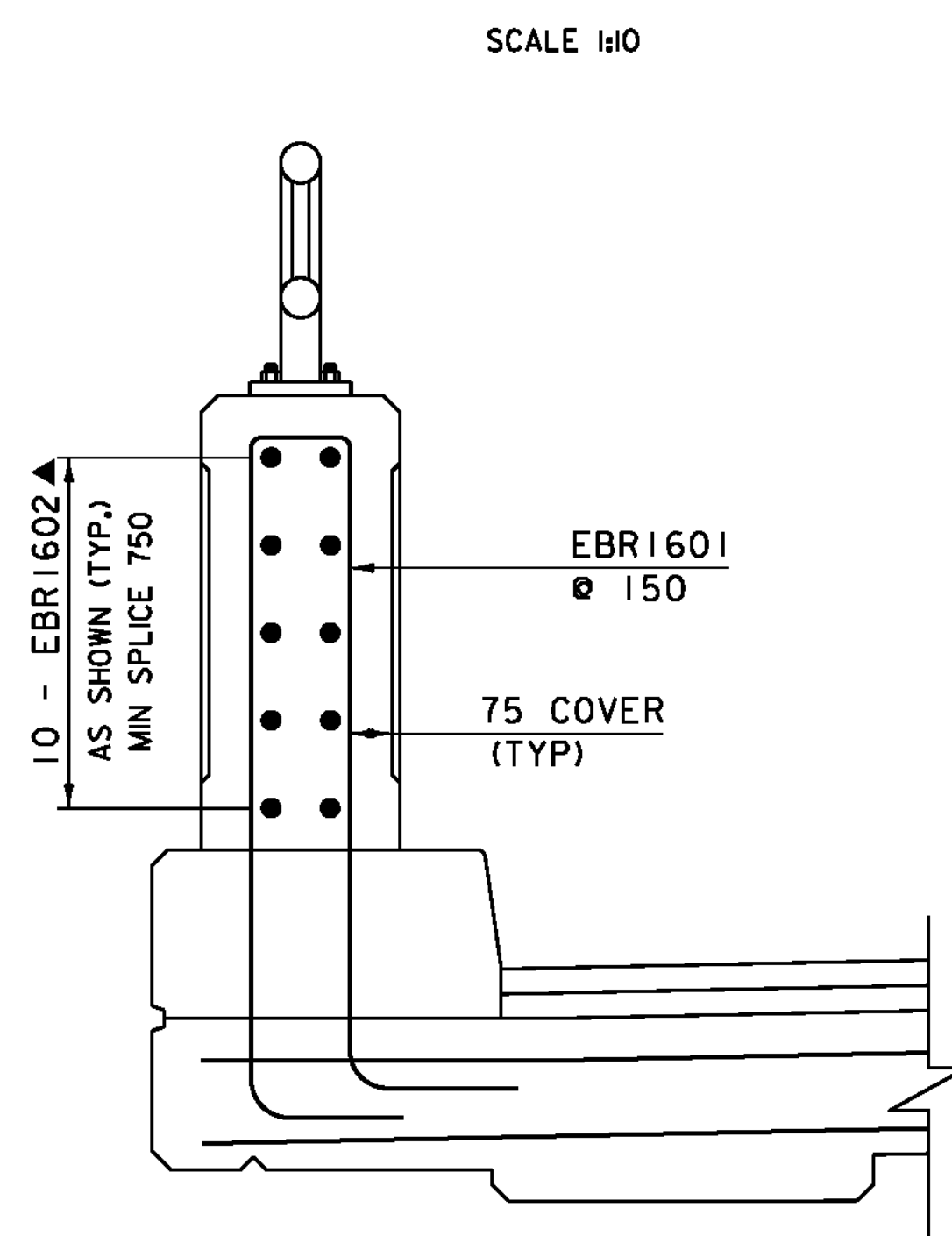
PARTIAL BRIDGE RAILING
INTERIOR SECTION C-C

SCALE 1/10



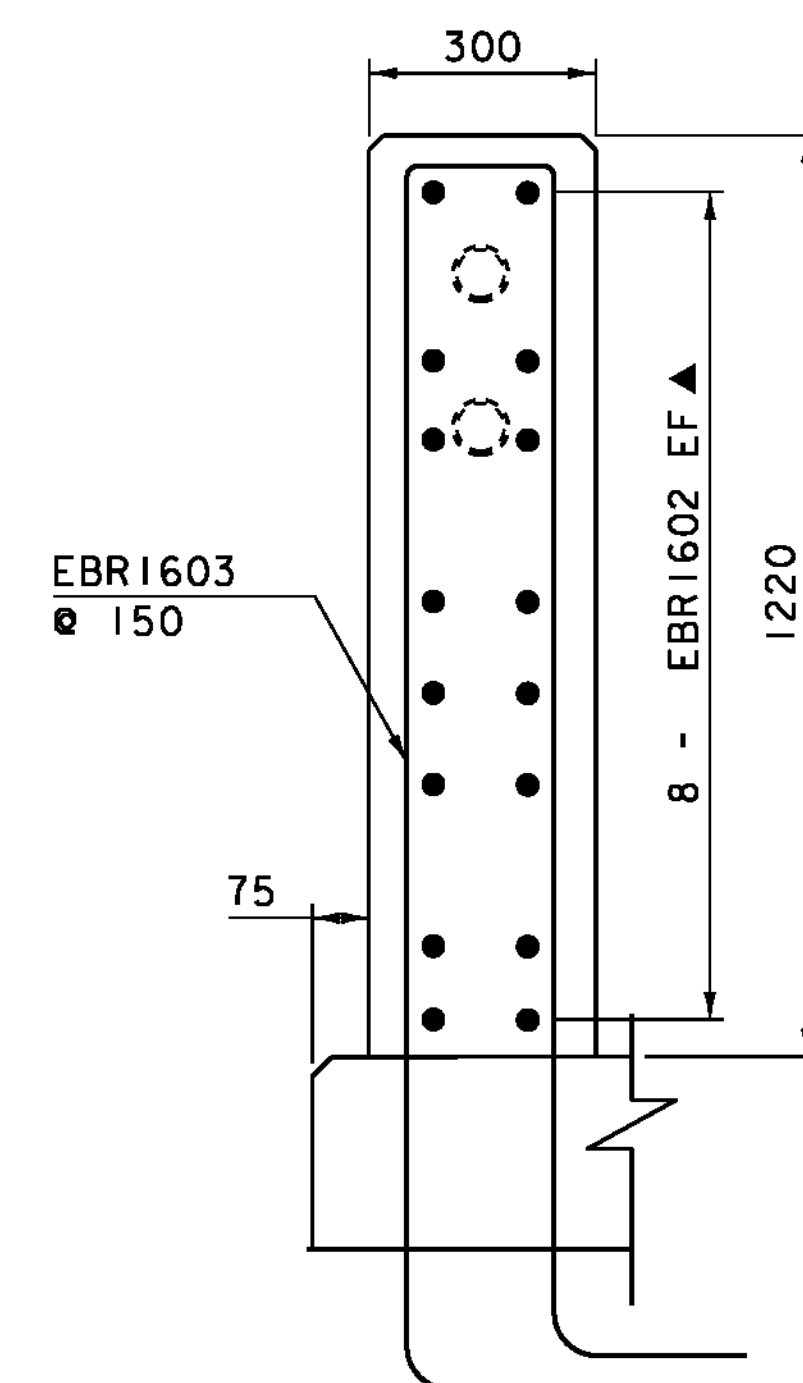
BRIDGE RAILING END
BLOCK SECTION A-A

SCALE 1/10



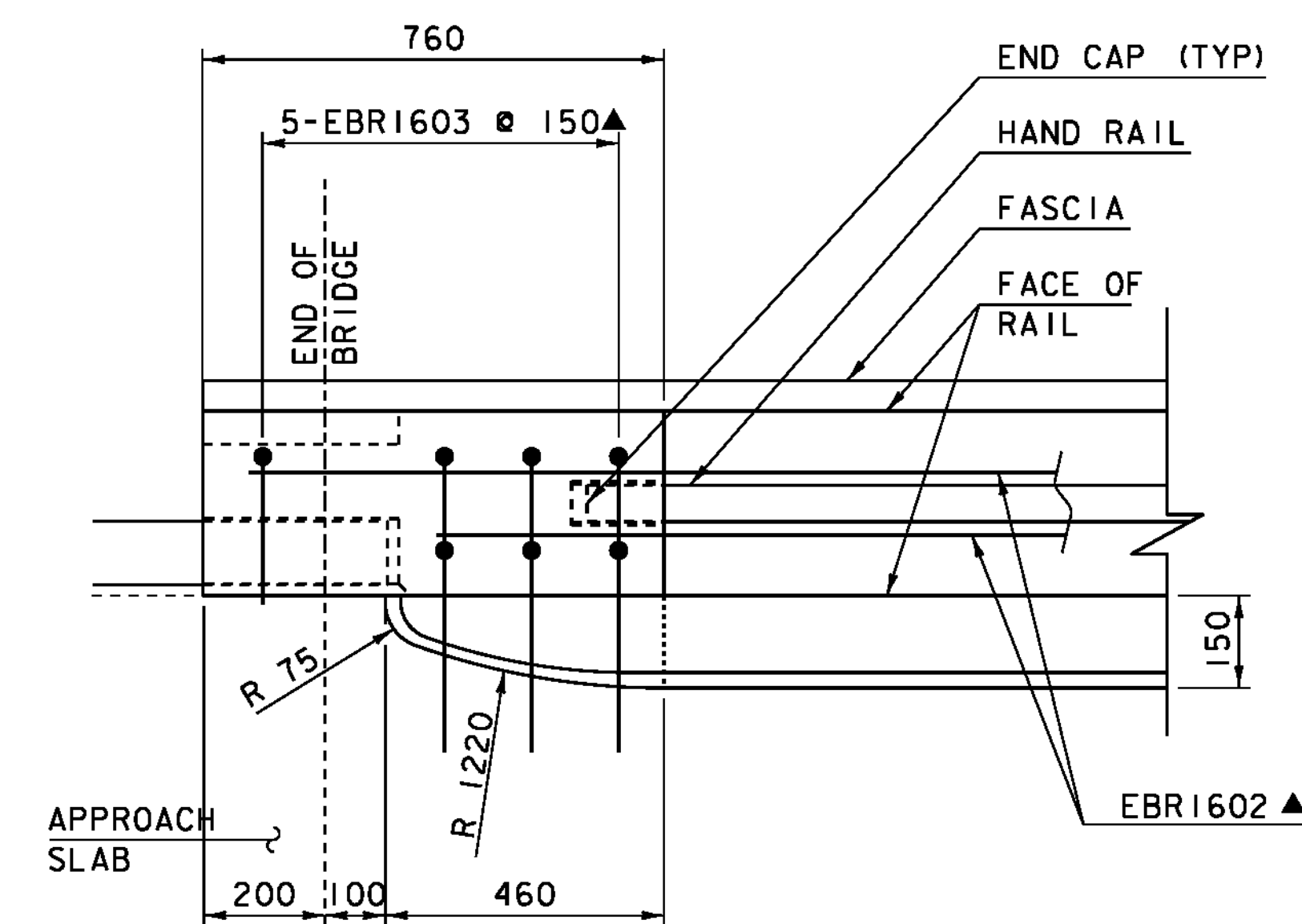
CONCRETE RAIL
REINFORCEMENT
(CURB SIDE)

SCALE 1/10



BRIDGE RAILING
END BLOCK
SECTION B-B

SCALE 1/10



BRIDGE RAILING END
BLOCK PLAN

SCALE 1/10

NOTES:
NF = NEAR FACE
FF = FAR FACE
EF = EACH FACE
▲ = CUT TO FIT IN FIELD
80 COVER UNLESS OTHERWISE SPECIFIED ON THE PLANS

PROJECT NAME: NEWFANE
PROJECT NUMBER: BRF 0106(3)S

FILE NAME: s95j280rall det.dgn
PROJECT LEADER: C. CARLSON
DESIGNED BY: T. LACKEY
BRIDGE RAILING DETAIL 1

PLOT DATE: 22-JUL-2011
DRAWN BY: C. MOONEY
CHECKED BY: G. SWEENEY
SHEET 44 OF 70