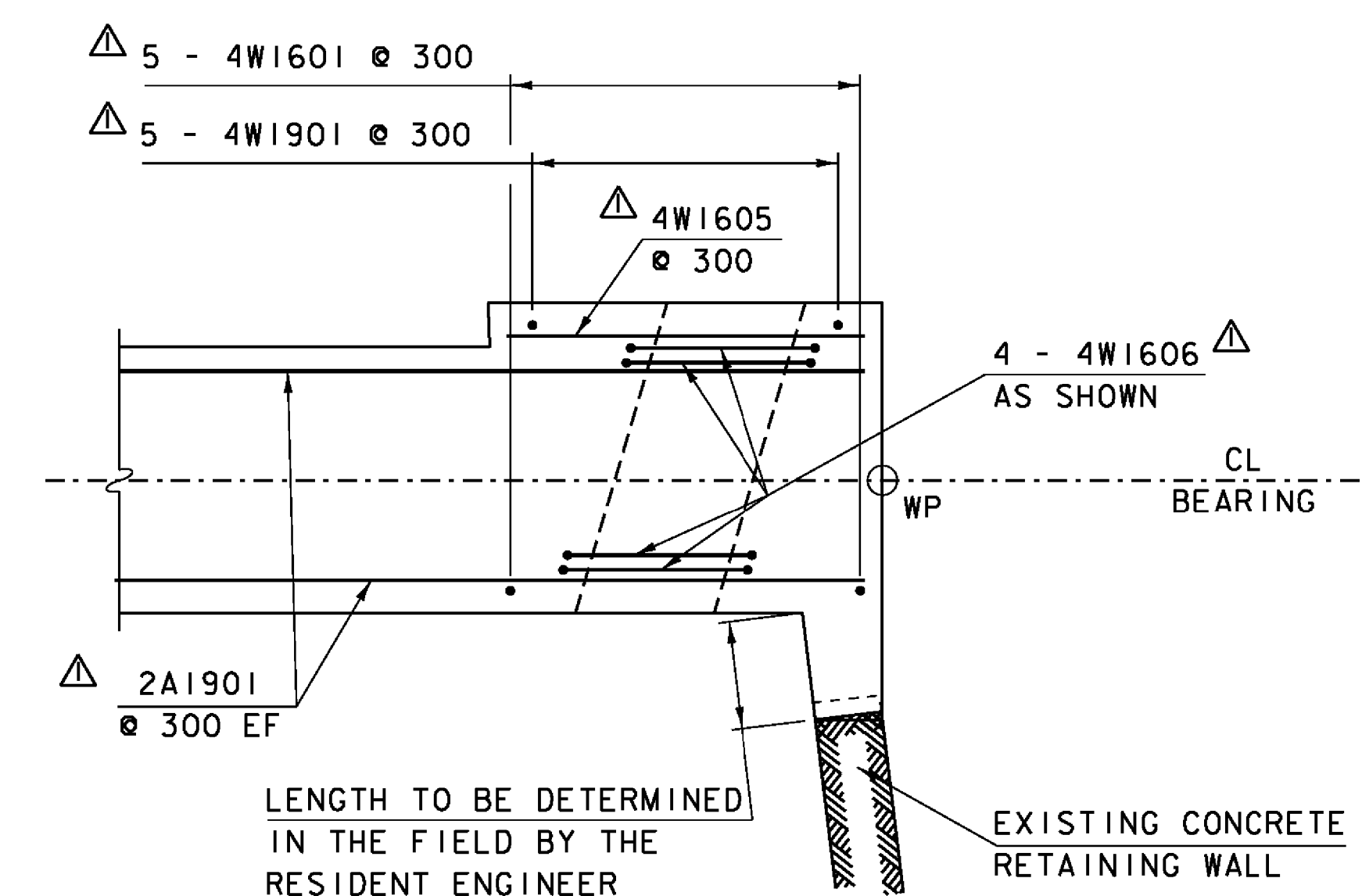


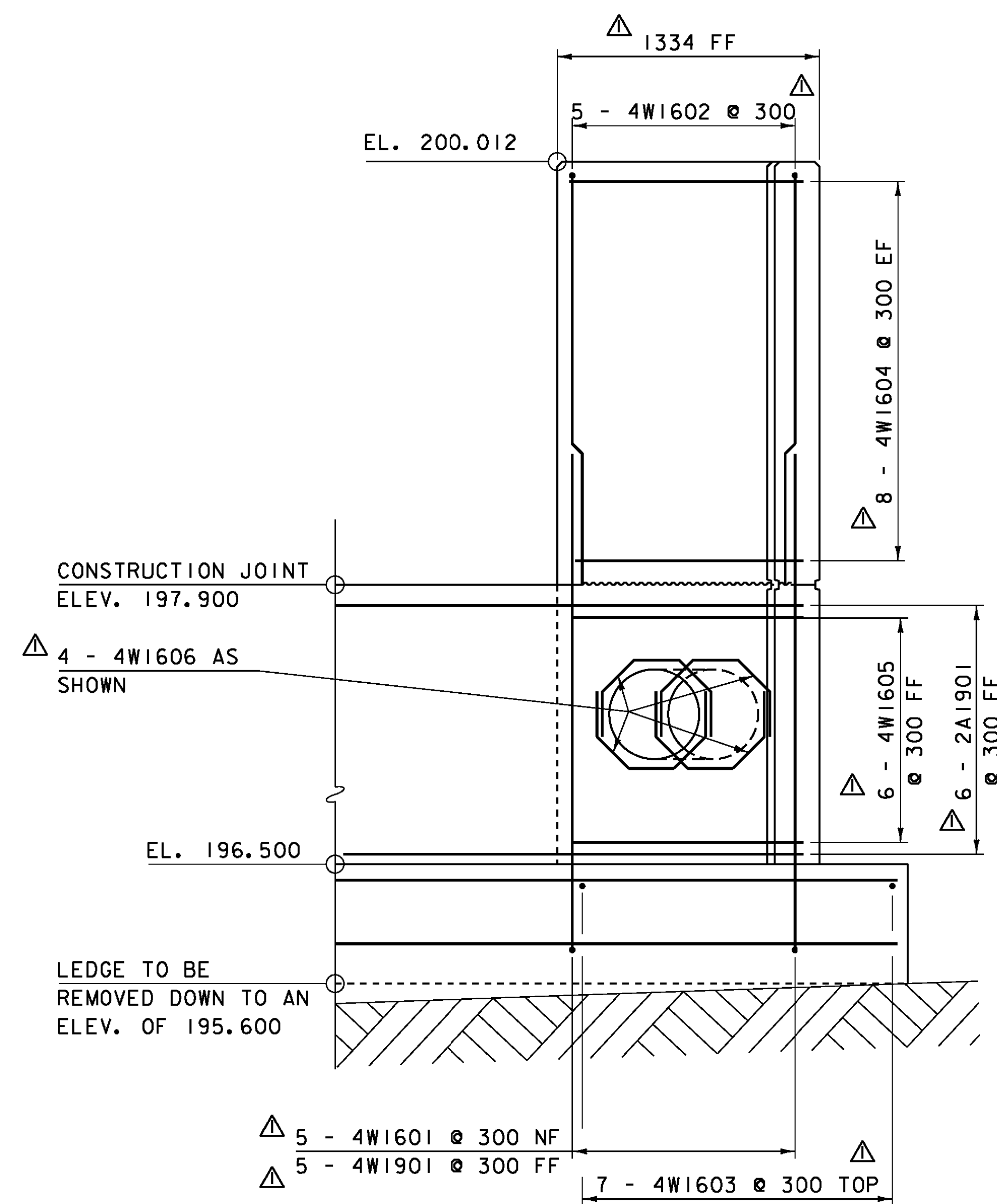
**WINGWALL 4 REINFORCING PLAN
(ABOVE CONSTRUCTION JOINT)**

SCALE 1:20



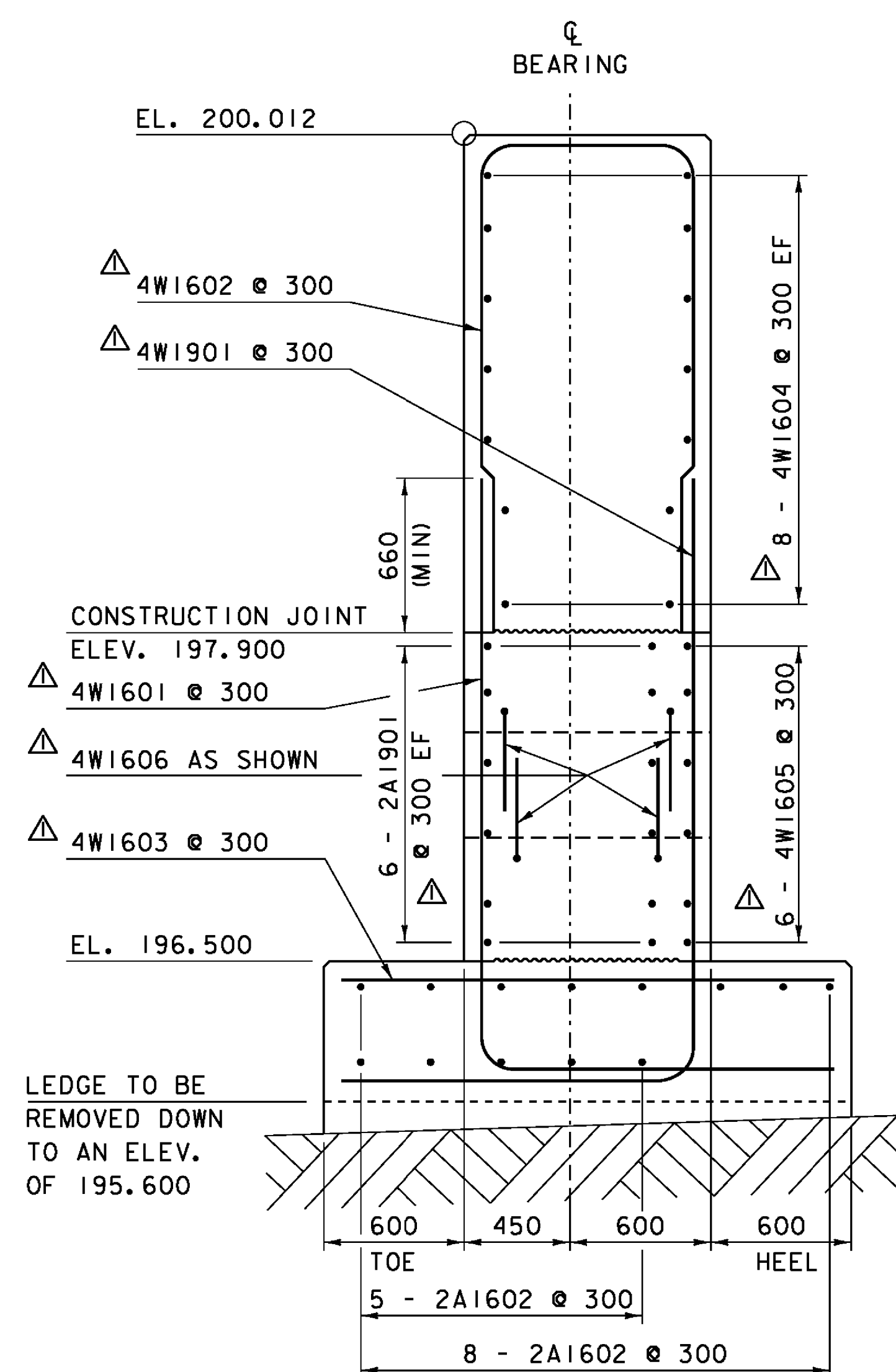
**WINGWALL 4 REINFORCING PLAN
(BELOW CONSTRUCTION JOINT)**

SCALE 1:20



WINGWALL 4 ELEVATION

SCALE 1:20



WINGWALL 4 TYPICAL SECTION

SCALE 1:20

NOTE:
FOR FOOTING REINFORCING STEEL AND DOWEL DETAILS SEE
ABUTMENT 2 FOOTING REINFORCING PLAN (SHEET 36)

NOTES:
NF = NEAR FACE
FF = FAR FACE
EF = EACH FACE
▲ = CUT TO FIT IN FIELD
80 COVER UNLESS OTHERWISE
SPECIFIED ON THE PLANS

KEY	DATE	BY	REVISION
▲	05/07/2012	VAOT	MODIFIED REINFORCING STEEL DIMENSIONS.
PROJECT NAME: NEWFANE			
PROJECT NUMBER: BRF 0106 (3) S			
FILE NAME: s95j280sub.dgn		PLOT DATE: 08-MAY-2012	
PROJECT LEADER: C. CARLSON		DRAWN BY: C. MOONEY	
DESIGNED BY: T. LACKEY		CHECKED BY: G. SWEENEY	
WINGWALL 4 DETAILS SHEET		SHEET 39 OF 70	