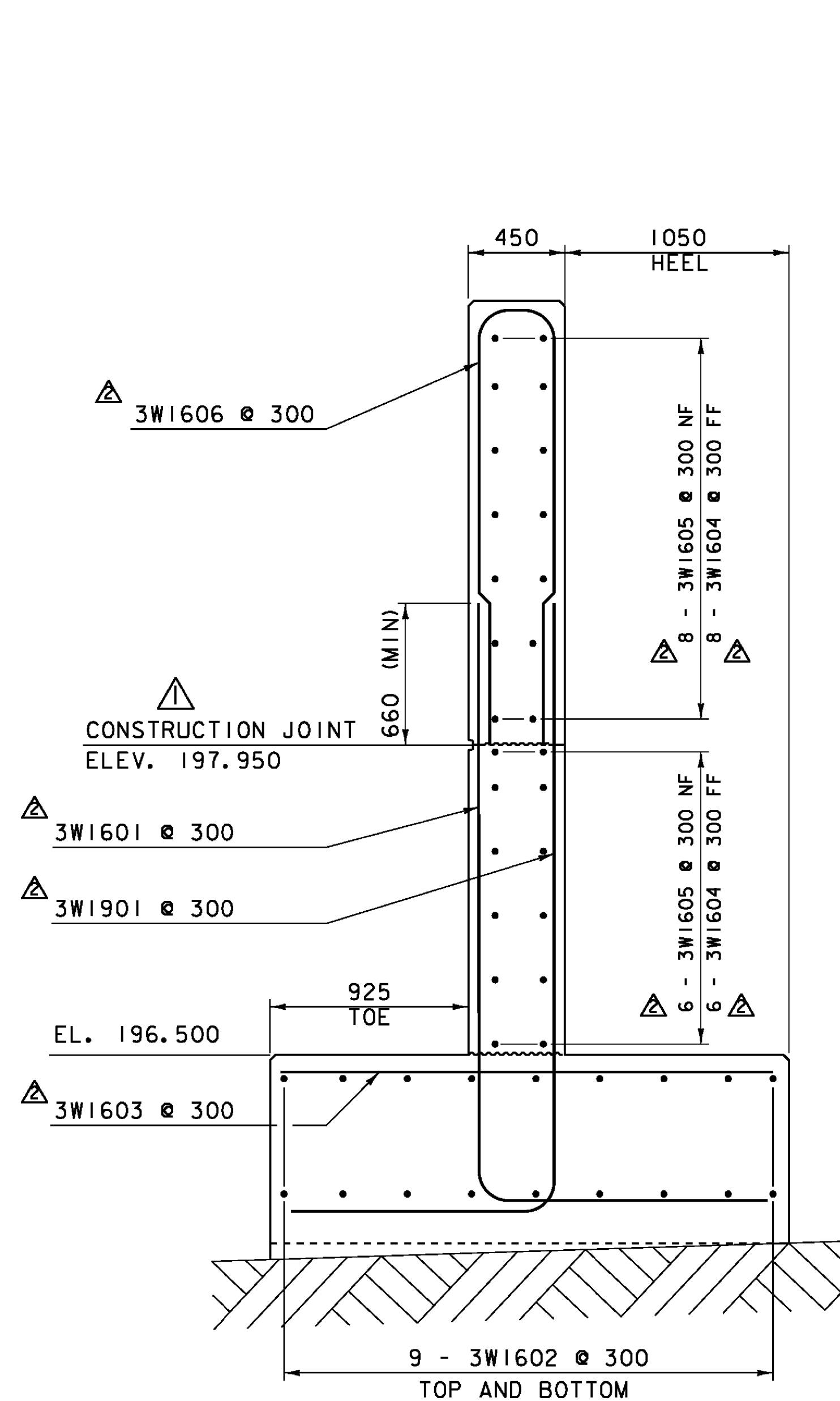


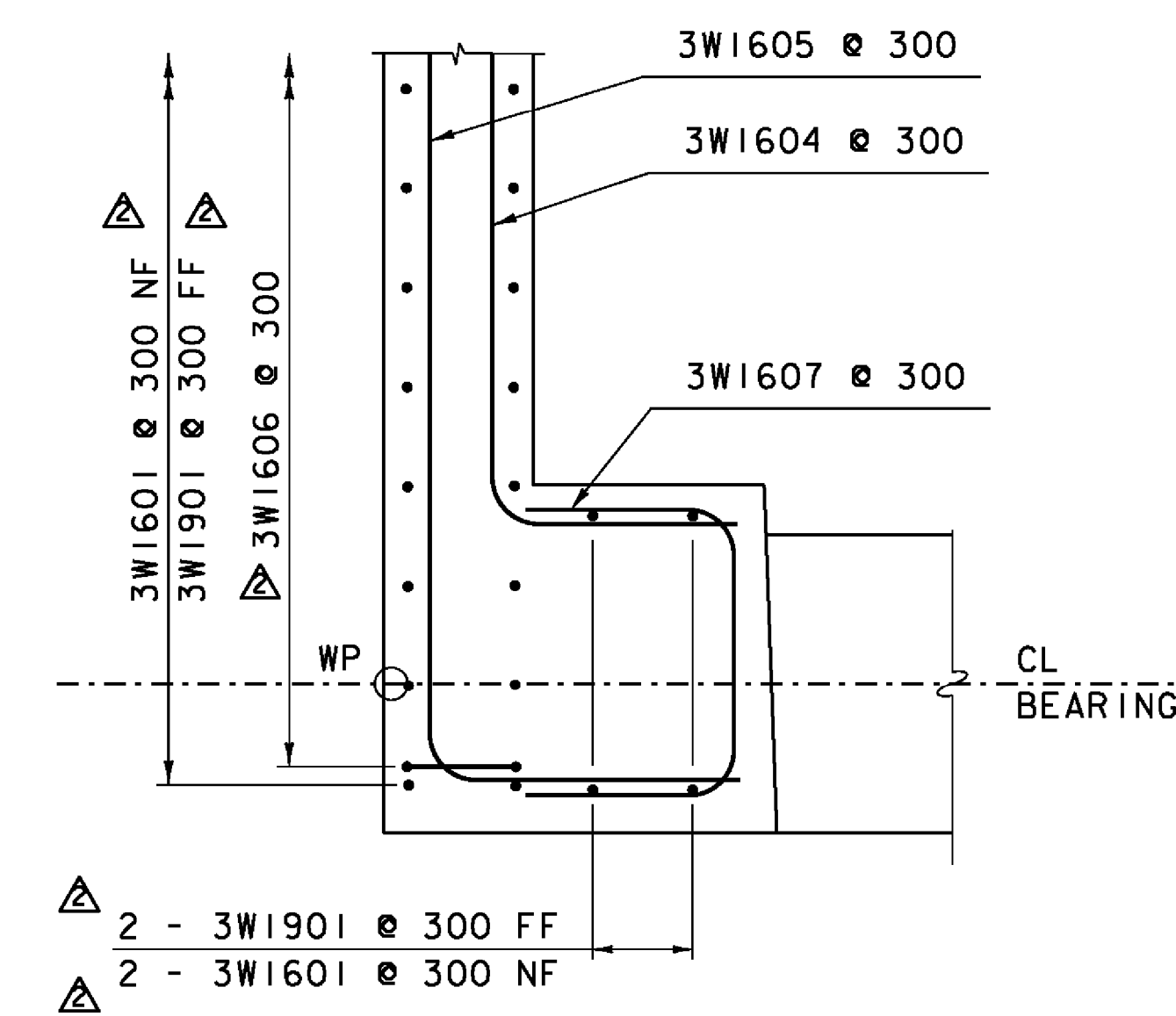
WINGWALL 3 ELEVATION

SCALE 1:20



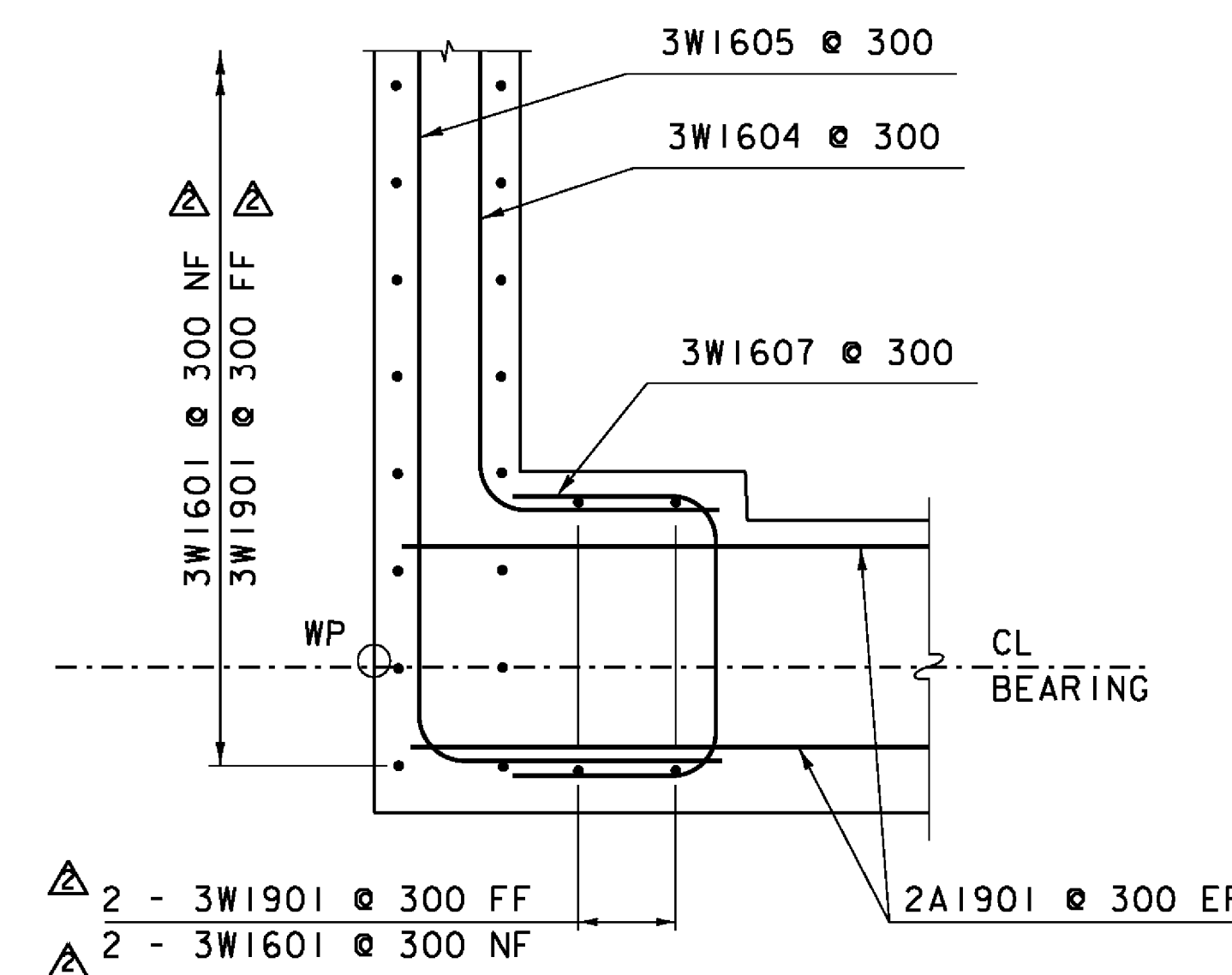
WINGWALL 3 TYPICAL SECTION

SCALE 1:20



WINGWALL 3 REINFORCING PLAN
(ABOVE THE CONSTRUCTION JOINT)

SCALE 1:20



WINGWALL 3 REINFORCING PLAN
(BELOW THE CONSTRUCTION JOINT)

SCALE 1:20

NOTE:
FOR FOOTING REINFORCING STEEL AND DOWEL DETAILS SEE
ABUTMENT 2 FOOTING REINFORCING PLAN (SHEET 36)

NOTES:
NF = NEAR FACE
FF = FAR FACE
EF = EACH FACE
▲ = CUT TO FIT IN FIELD
80 COVER UNLESS OTHERWISE
SPECIFIED ON THE PLANS

| KEY | DATE | BY | REVISION |
|-------------------------------|------------|------------------------|--|
| ▲ | 05/07/2012 | VAOT | MODIFIED REINFORCING STEEL DIMENSIONS. |
| ▲ | 04/26/2012 | VAOT | MODIFIED WINGWALL 3 DIMENSIONS. |
| PROJECT NAME: NEWFANE | | | |
| PROJECT NUMBER: BR 0106 (3) S | | | |
| FILE NAME: s95j280sub.dgn | | PLOT DATE: 08-MAY-2012 | |
| PROJECT LEADER: C. CARLSON | | DRAWN BY: C. MOONEY | |
| DESIGNED BY: T. LACKEY | | CHECKED BY: G. SWEENEY | |
| WINGWALL 3 DETAILS SHEET | | SHEET 38 OF 70 | |