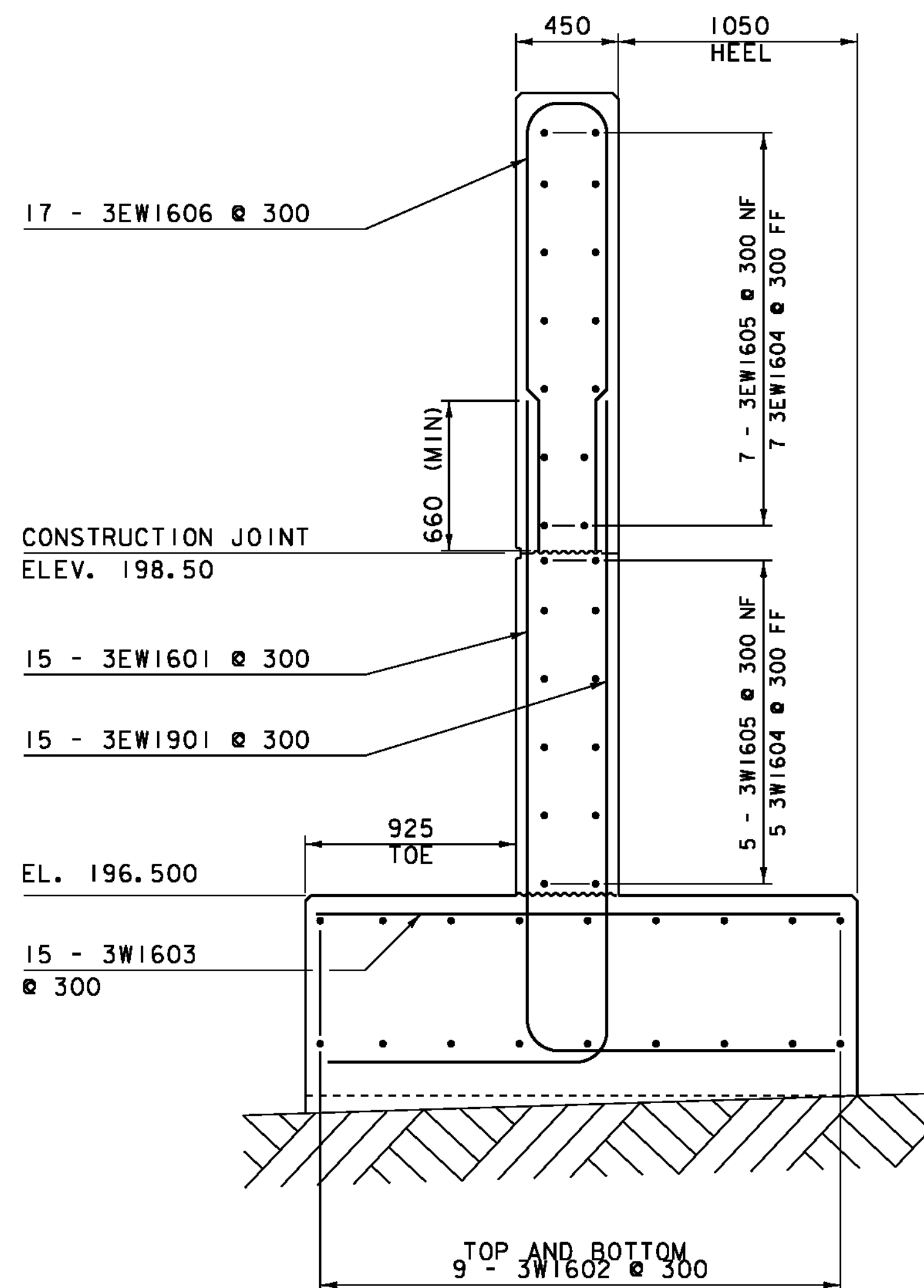


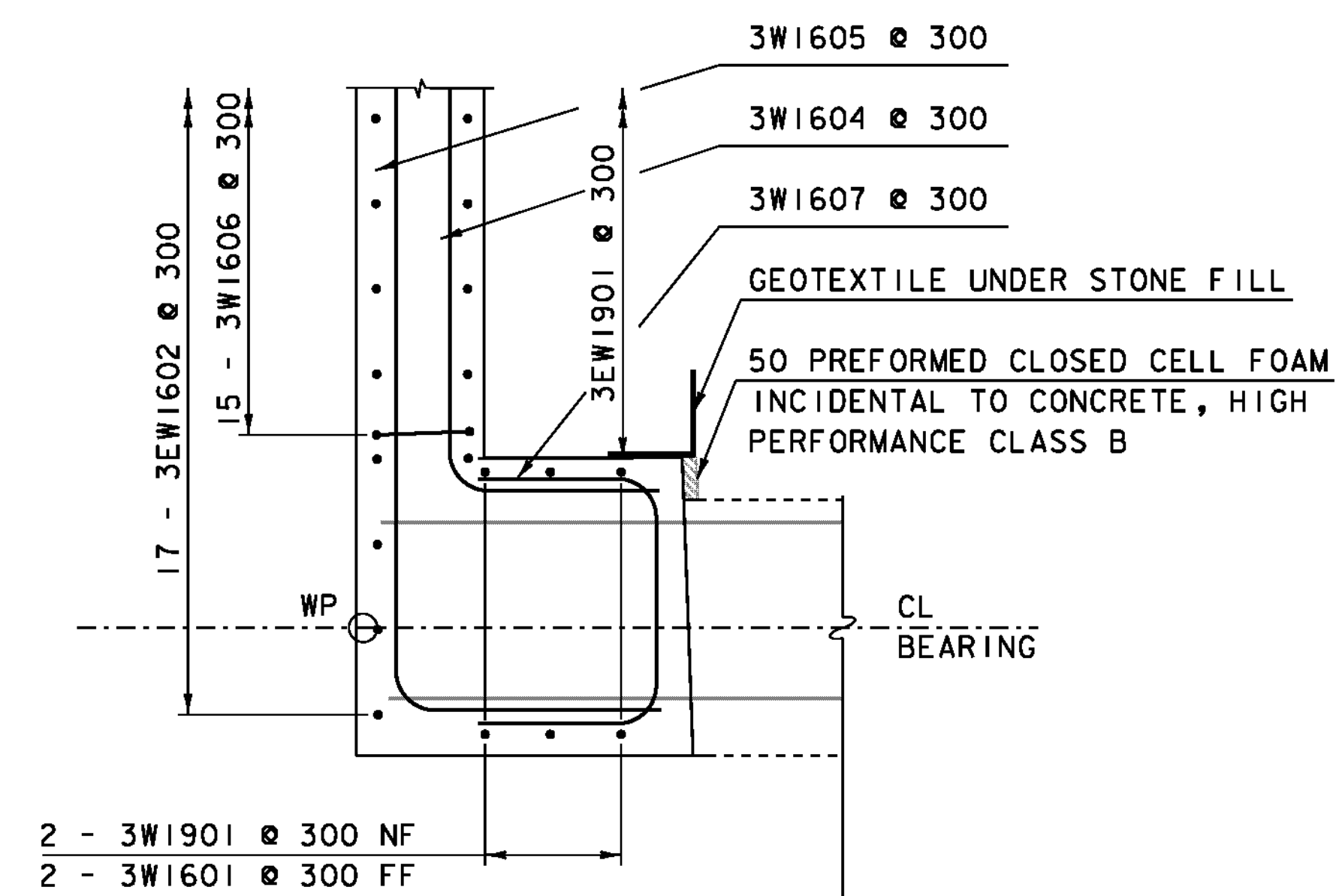
WINGWALL 3 ELEVATION

SCALE 1:20



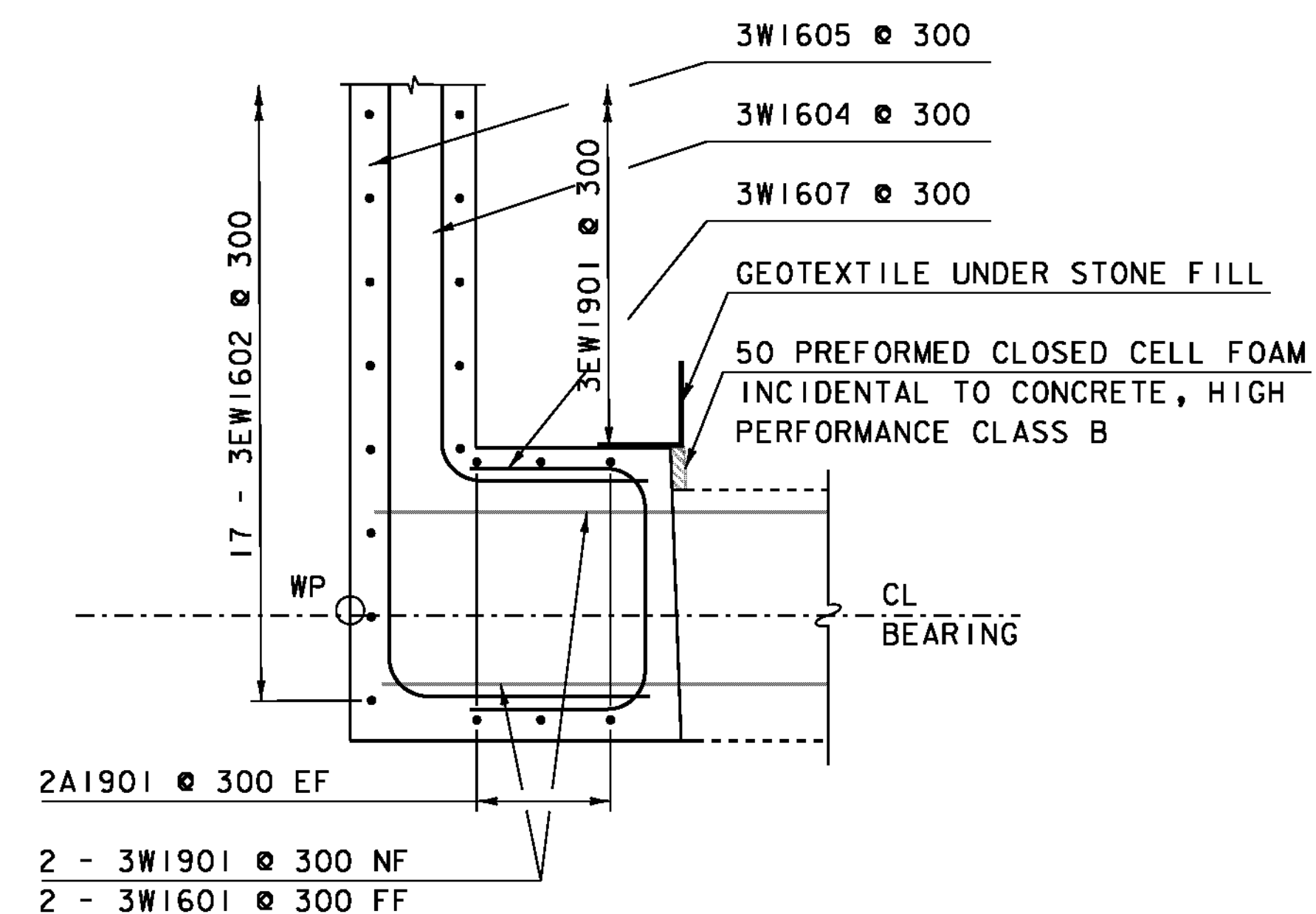
WINGWALL 3 TYPICAL SECTION

SCALE 1:20



WINGWALL 3 REINFORCING PLAN (ABOVE THE CONSTRUCTION JOINT)

SCALE 1:20



WINGWALL 3 REINFORCING PLAN (BELOW THE CONSTRUCTION JOINT)

SCALE 1:20

NOTE:
FOR FOOTING REINFORCING STEEL AND DOWEL DETAILS SEE
ABUTMENT 2 FOOTING REINFORCING PLAN (SHEET 36)

NOTES:
NF = NEAR FACE
FF = FAR FACE
EF = EACH FACE
▲ = CUT TO FIT IN FIELD
80 COVER UNLESS OTHERWISE
SPECIFIED ON THE PLANS

PROJECT NAME: NEWFANE
PROJECT NUMBER: BRF 0106 (3) S

FILE NAME: s95j280sub.dgn
PROJECT LEADER: C. CARLSON
DESIGNED BY: T. LACKEY
WINGWALL 3 DETAILS SHEET

PLOT DATE: 27-JUL-2011
DRAWN BY: C. MOONEY
CHECKED BY: G. SWEENEY
SHEET 38 OF 70