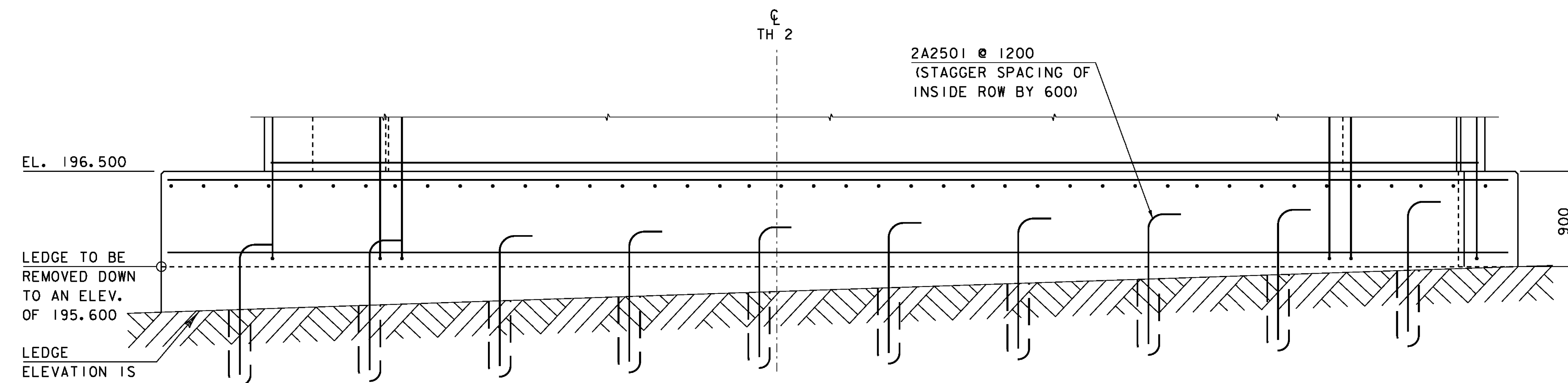


ABUTMENT 2 FOOTING REINFORCING PLAN

SCALE 1:25

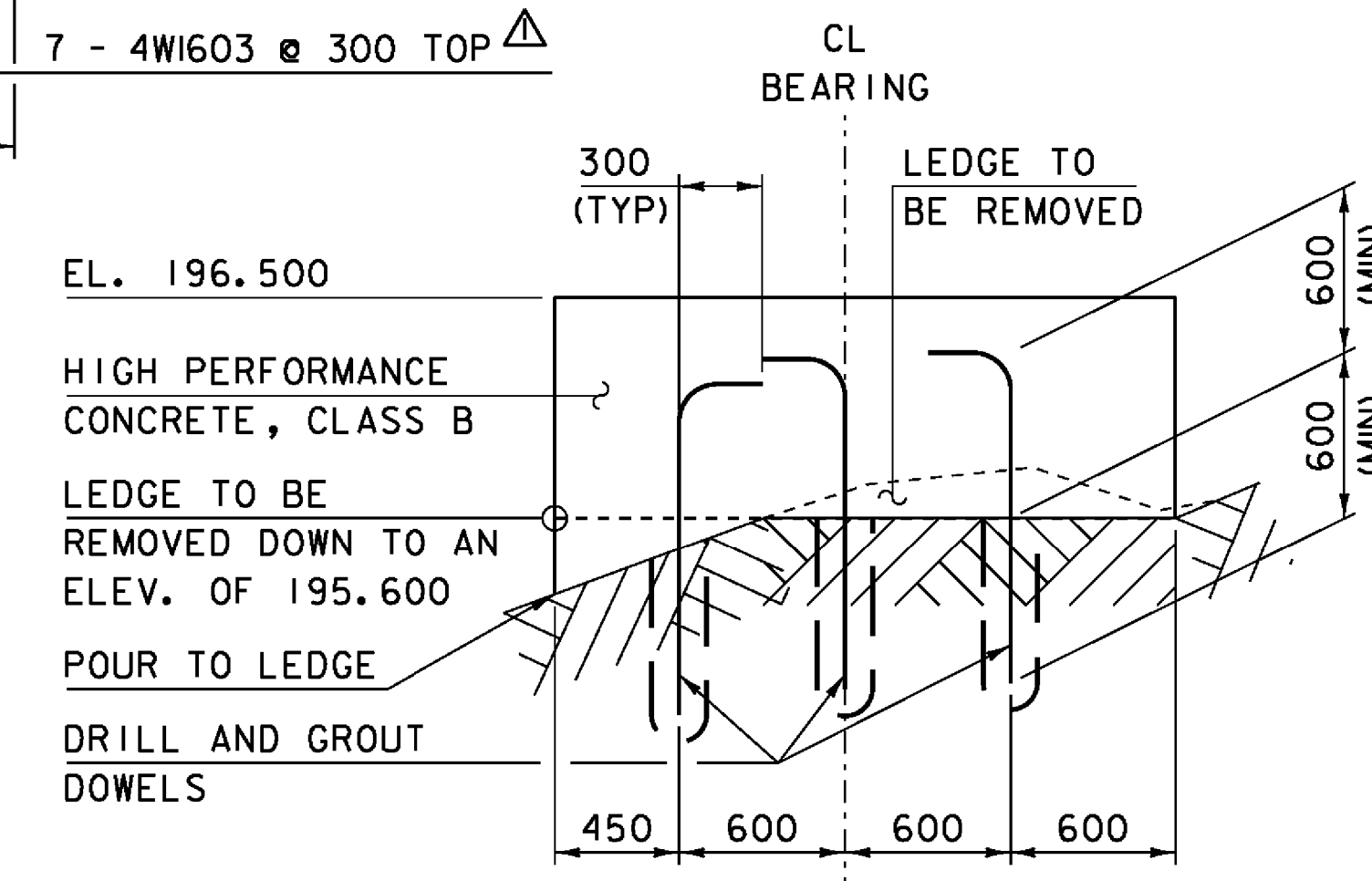


ABUTMENT 2 FOOTING ELEVATION

SCALE 1:25

LEGE TO BE REMOVED DOWN TO AN ELEV. OF 195.600
LEGE ELEVATION IS APPROXIMATE AND SUBJECT TO CHANGE

NOTES:
NF = NEAR FACE
FF = FAR FACE
EF = EACH FACE
▲ = CUT TO FIT IN FIELD
80 COVER UNLESS OTHERWISE SPECIFIED ON THE PLANS



ABUTMENT 2 TYPICAL FOOTING SECTION

SCALE 1:25

KEY	DATE	BY	REVISION
▲	05/07/2012	VAOT	MODIFIED REINFORCING STEEL DIMENSIONS.
PROJECT NAME: NEWFANE			
PROJECT NUMBER: BRF 0106 (3) S			
FILE NAME: s95j280sub.dgn		PLOT DATE: 08-MAY-2012	
PROJECT LEADER: C. CARLSON		DRAWN BY: C. MOONEY	
DESIGNED BY: T. LACKEY		CHECKED BY: G. SWEENEY	
ABUTMENT 2 FOOTING DETAILS		SHEET 36 OF 70	