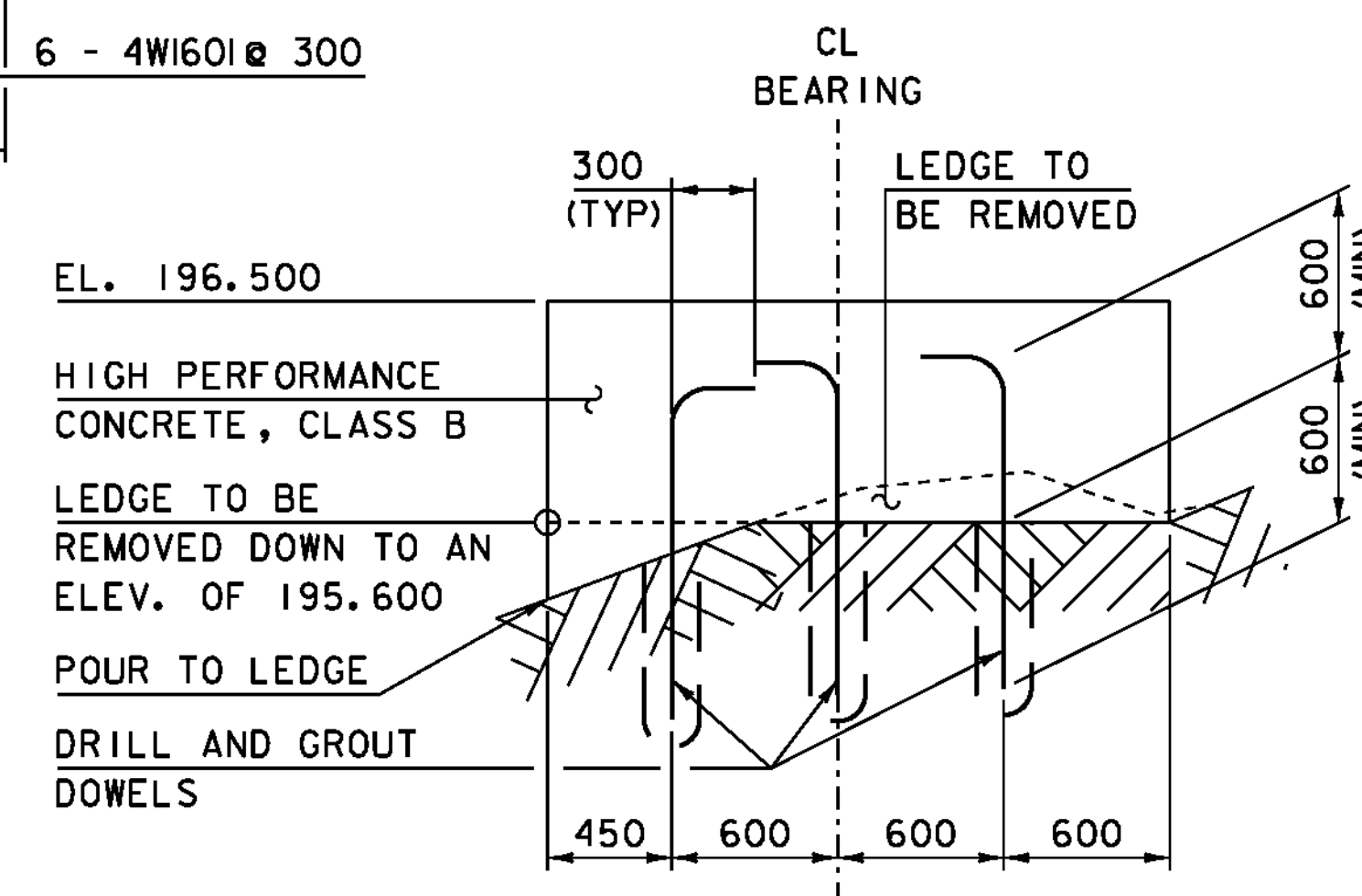


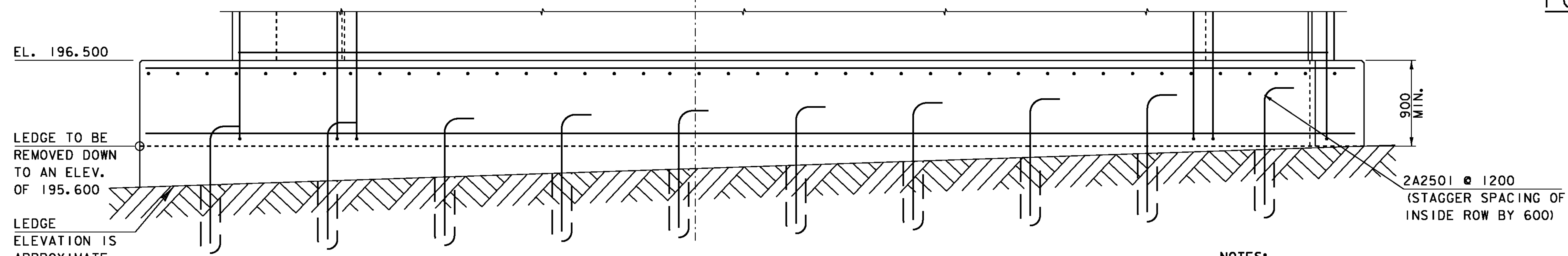
**ABUTMENT 2 FOOTING REINFORCING PLAN**

SCALE 1:25



**ABUTMENT 2 TYPICAL FOOTING SECTION**

SCALE 1:25



**ABUTMENT 2 FOOTING ELEVATION**

SCALE 1:25

- NOTES:**  
 NF = NEAR FACE  
 FF = FAR FACE  
 EF = EACH FACE  
 ▲ = CUT TO FIT IN FIELD  
 80 COVER UNLESS OTHERWISE SPECIFIED ON THE PLANS

PROJECT NAME: NEW FANE  
 PROJECT NUMBER: BRF 0106 (3) S

FILE NAME: s95j280sub.dgn  
 PROJECT LEADER: C. CARLSON  
 DESIGNED BY: T. LACKEY  
 ABUTMENT 2 FOOTING DETAILS

PLOT DATE: 26-JUL-2011  
 DRAWN BY: C. MOONEY  
 CHECKED BY: G. SWEENEY  
 SHEET 36 OF 70