

SEE MATERIAL BUFFER DETAIL

450 DIA CULVERT

1200

600

600

450

240

360

1050

600

7140

600

1040

668

2400

2112

2881

2400

972

50

1190

5825

4900 TO WP

3660 TO FASCIA

5180 TO FASCIA

6540 TO WP

7140

150 (TYP)

750

400

200

450

50

90.00° TO MAJOR CHORD

88°

200 (MIN)

200 (MIN)

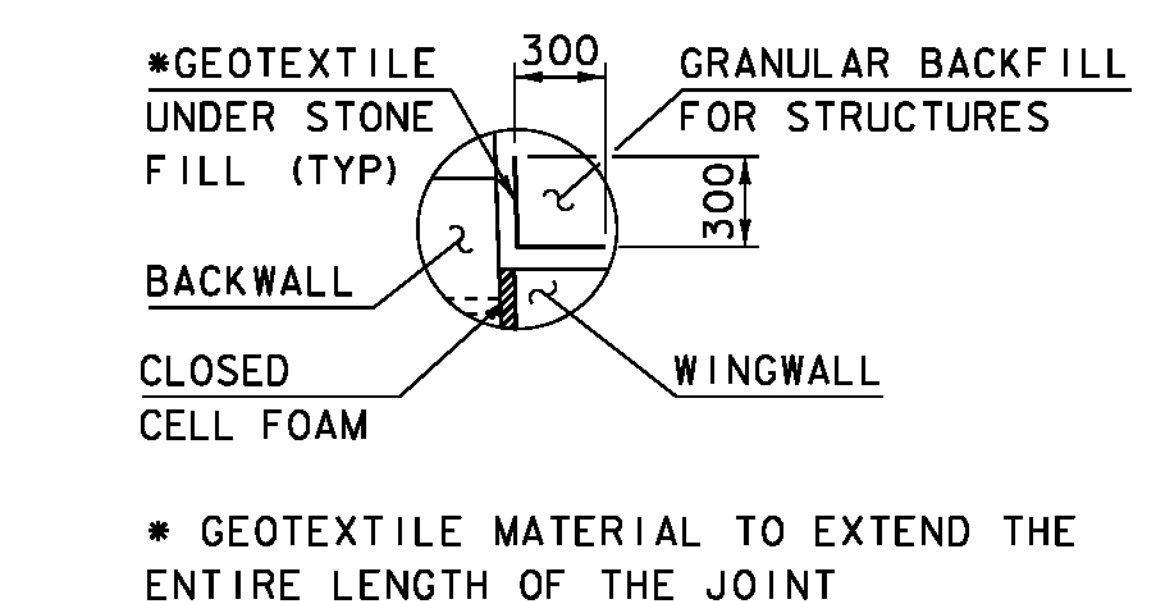
90°

WP

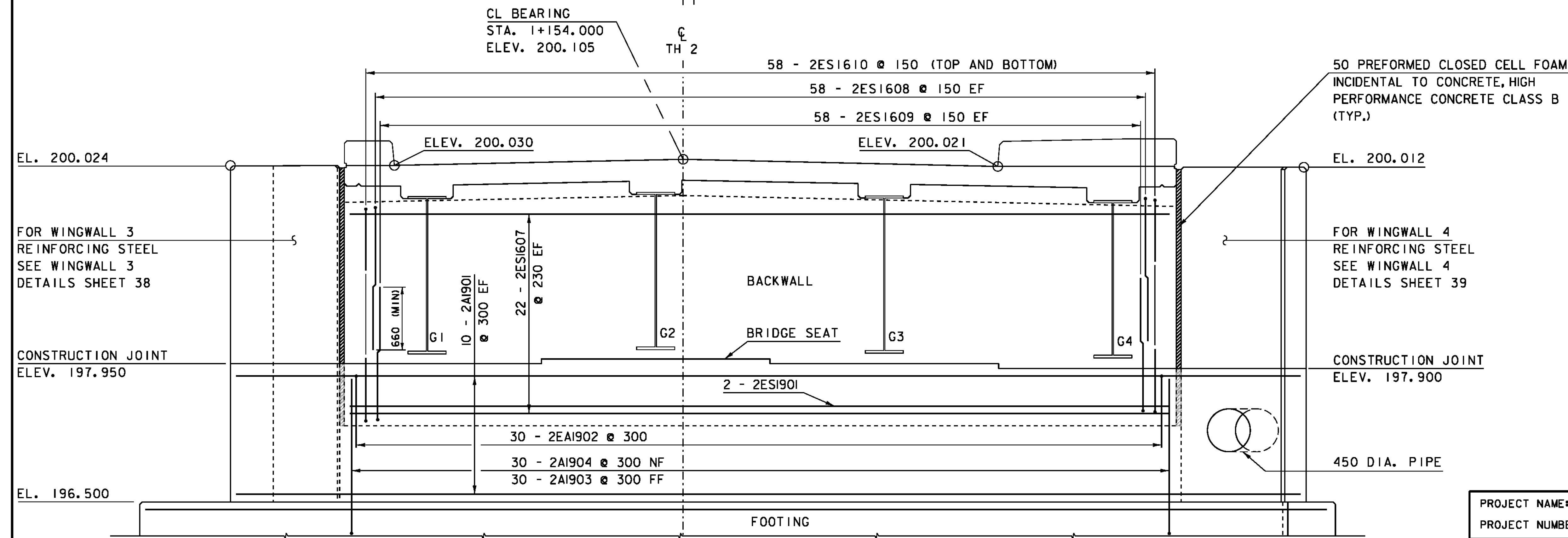
WP

WP

CL BEARING



50 PREFORMED CLOSED CELL FOAM INCIDENTAL TO CONCRETE, HIGH PERFORMANCE CONCRETE CLASS B (TYP.)



ABUTMENT 2 BRIDGE SEAT ELEVATION	
GIRDER 1	197.950
GIRDER 2	198.000
GIRDER 3	197.950
GIRDER 4	197.900

NOTES:
NF = NEAR FACE
FF = FAR FACE
EF = EACH FACE
▲ = CUT TO FIT IN FIELD
80 COVER UNLESS OTHERWISE SPECIFIED ON THE PLANS

NOTE:
MAX BOTTOM OF FOOTING ELEV. 195.600
SEE ABUTMENT 2 FOOTING REINFORCING PLAN (SHEET 36)

PROJECT NAME: NEWFANE
PROJECT NUMBER: BRF 0106 (3) S

FILE NAME: s95j280sub.dgn
PROJECT LEADER: C. CARLSON
DESIGNED BY: T. LACKEY
ABUTMENT 2 DETAILS

PLOT DATE: 22-JUL-2011
DRAWN BY: C. MOONEY
CHECKED BY: G. SWEENEY
SHEET 35 OF 70