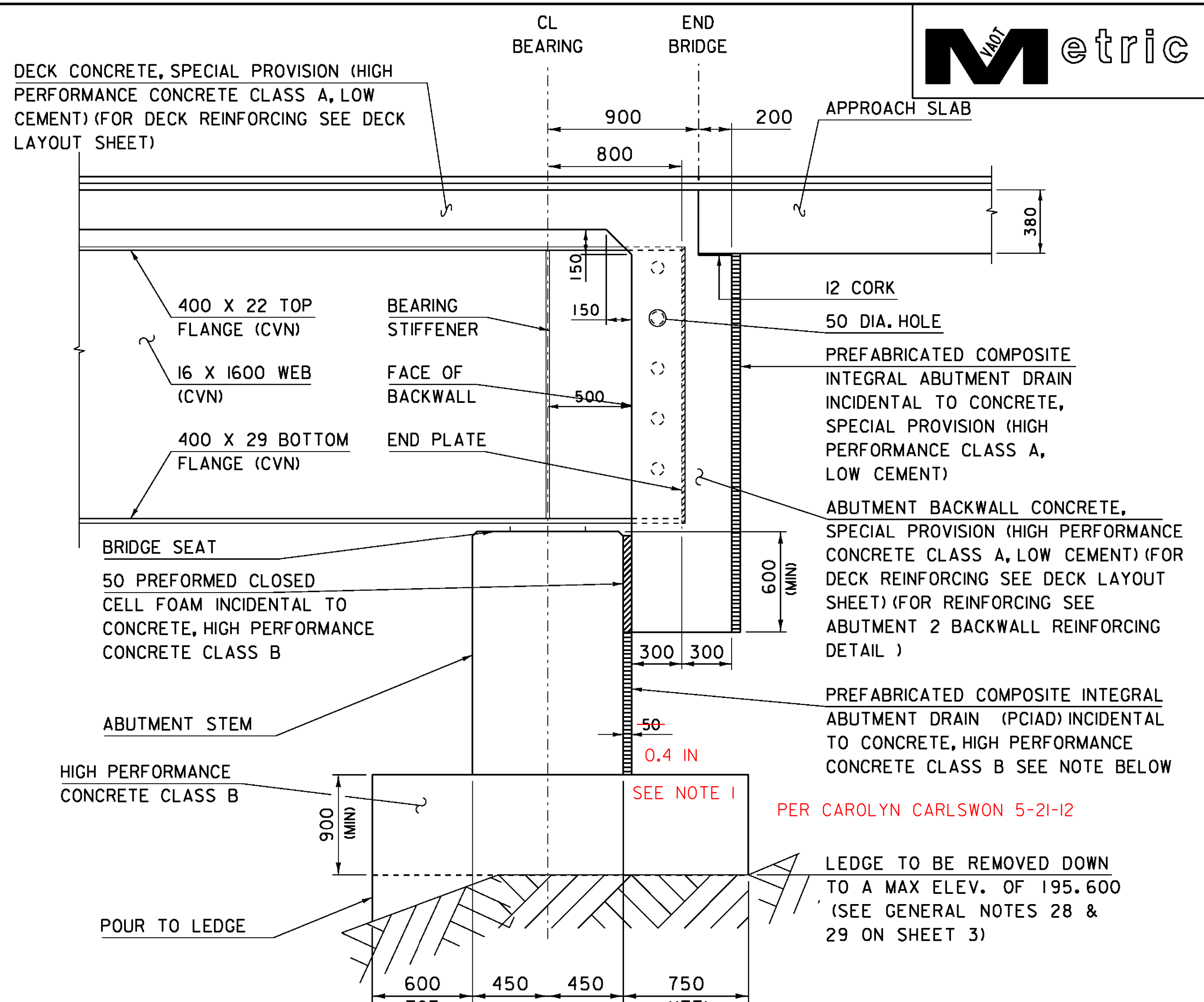


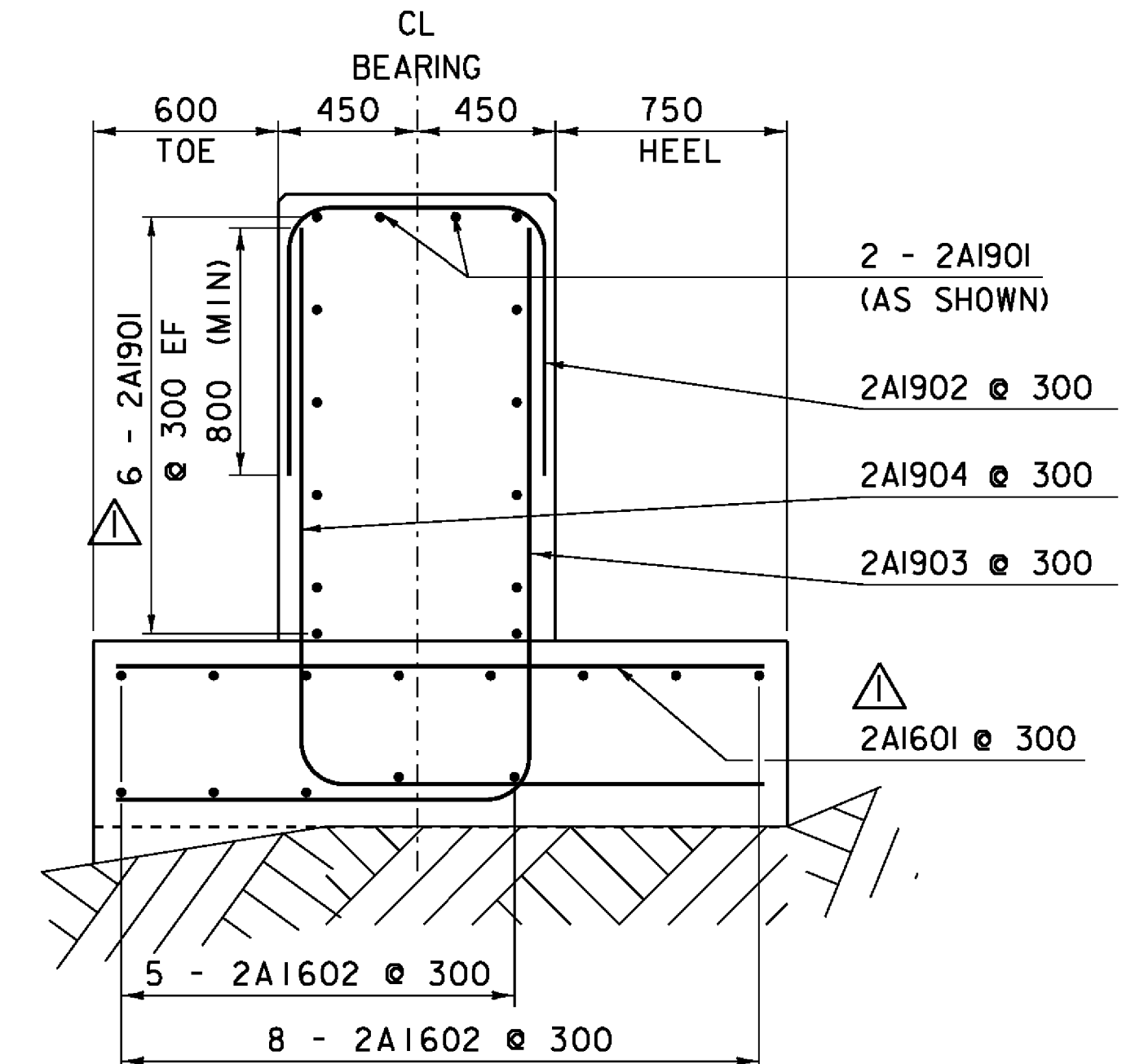
ABUTMENT 1 TYPICAL SECTION

SCALE 1:20



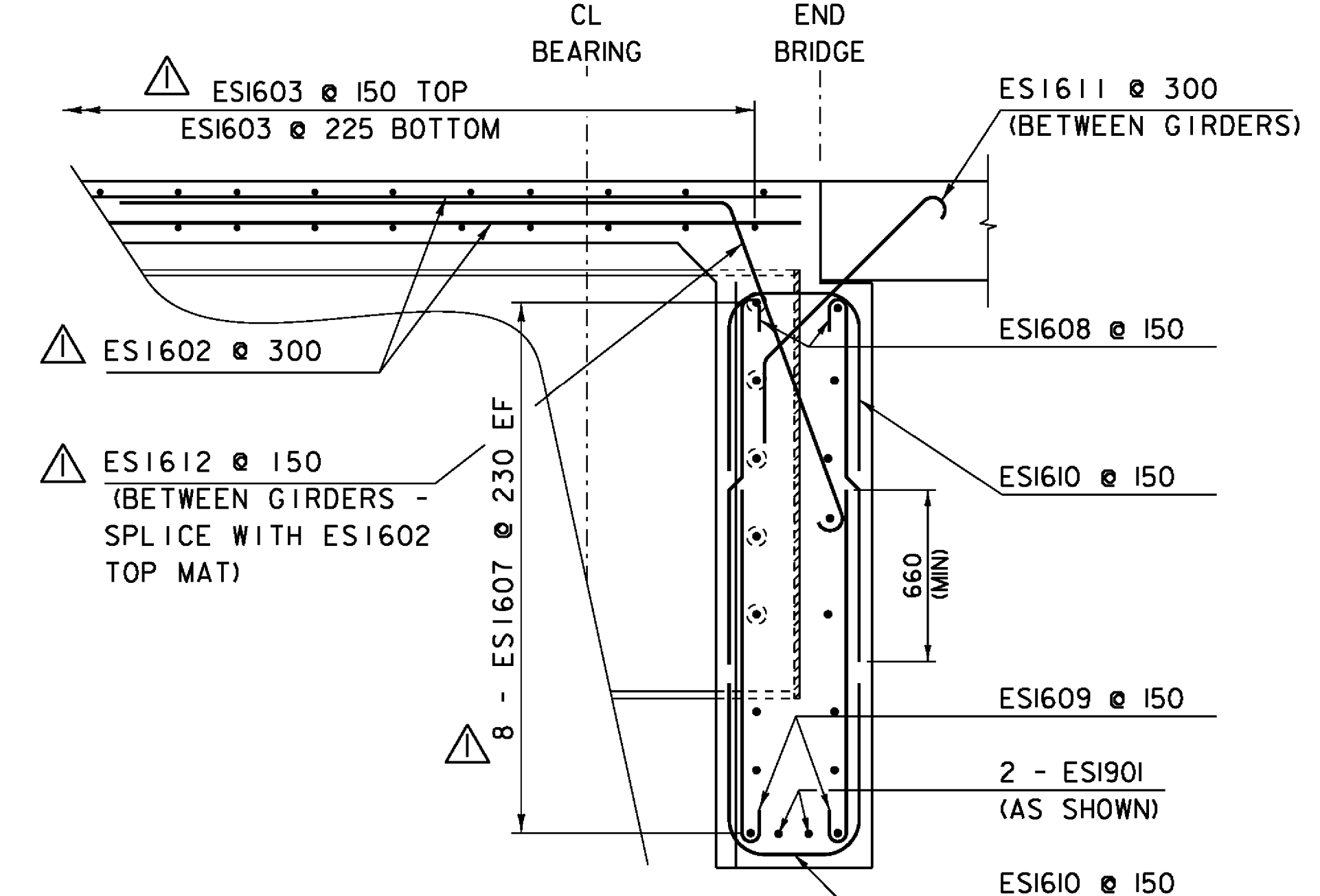
ABUTMENT 2 TYPICAL SECTION

SCALE 1:20



ABUTMENT 2 STEM REINFORCING DETAIL

SCALE 1:20



ABUTMENT 2 BACKWALL REINFORCING DETAIL

SCALE 1:20

NOTE:

- PREFABRICATED COMPOSITE INTEGRAL ABUTMENT DRAIN (PCIAD) SHALL BE SELECTED FROM ONE OF THE FOLLOWING PRODUCTS (OR AN EQUIVALENT):
 - A) MIRADRAIN 9000
 - B) TERADRAIN 101
 - C) SHEET DRAIN
 ALSO, THE PRODUCT MUST HAVE A MINIMUM THICKNESS OF 0.4in AS MEASURED IN ASTM D5199.
- FOR DOWEL DETAILS SEE ABUTMENT 2 FOOTING REINFORCING PLAN (SHEET 36)

NOTES:
 NF = NEAR FACE
 FF = FAR FACE
 EF = EACH FACE
 ▲ = CUT TO FIT IN FIELD
 80 COVER UNLESS OTHERWISE SPECIFIED ON THE PLANS

KEY	DATE	BY	REVISION
▲	05/07/2012	VAOT	MODIFIED REINFORCING STEEL DIMENSIONS.
PROJECT NAME: NEWFANE			
PROJECT NUMBER: BRF 0106 (3) S			
FILE NAME: s95j280sub.dgn		PLOT DATE: 08-MAY-2012	
PROJECT LEADER: C. CARLSON		DRAWN BY: C. MOONEY	
DESIGNED BY: T. LACKEY		CHECKED BY: G. SWEENEY	
ABUTMENT TYPICALS SHEET		SHEET 33 OF 70	