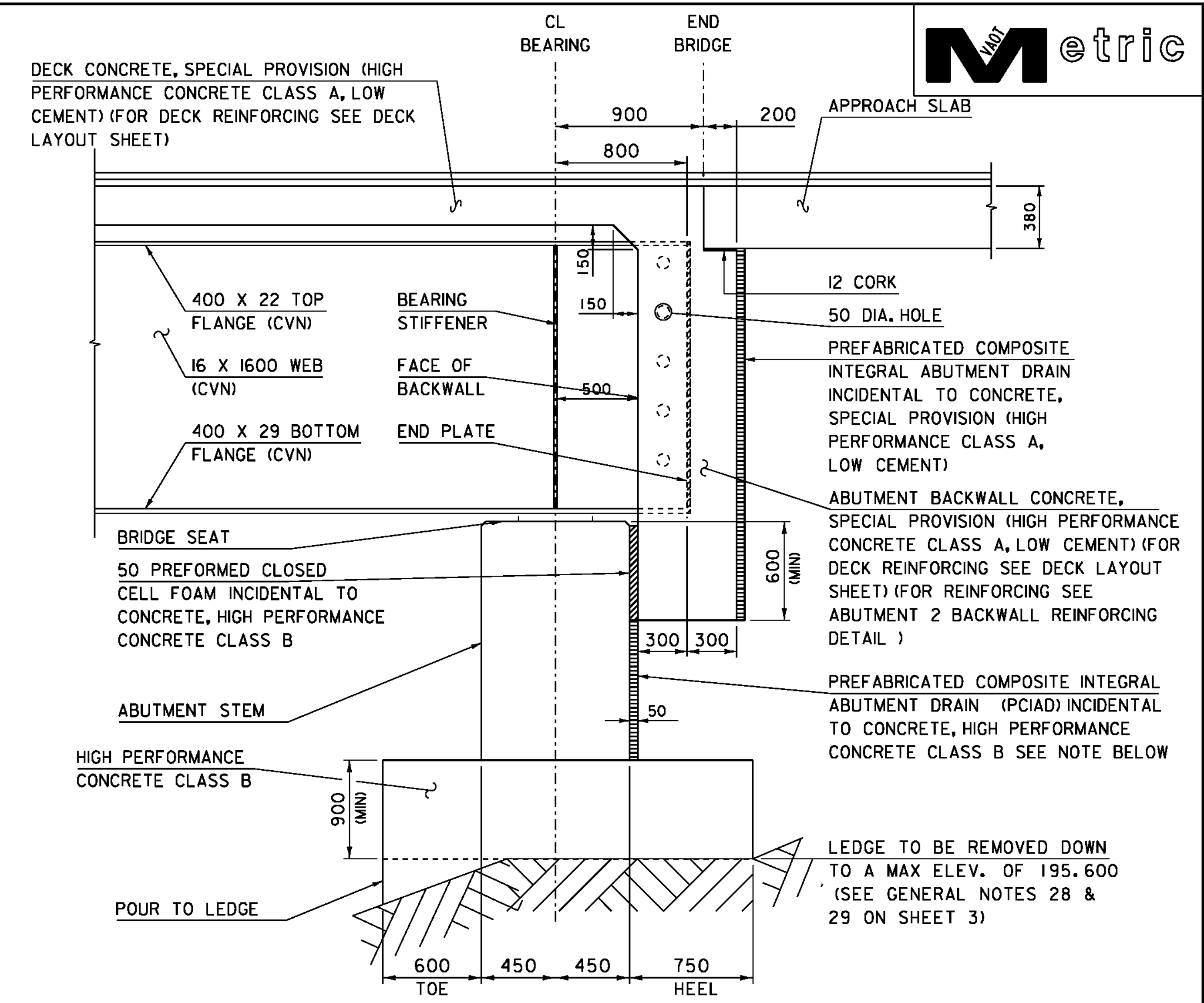


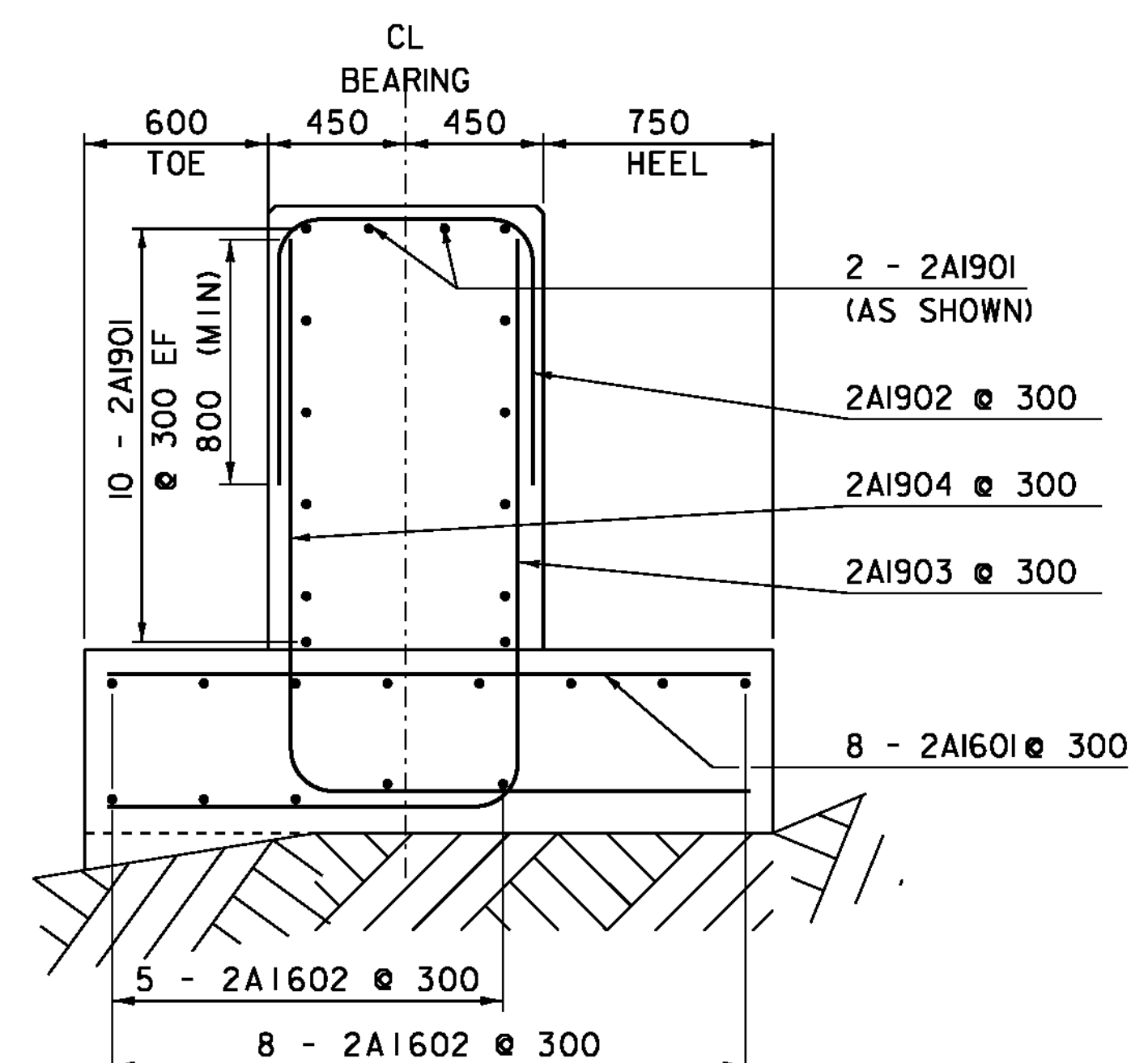
ABUTMENT 1 TYPICAL SECTION

SCALE 1:20



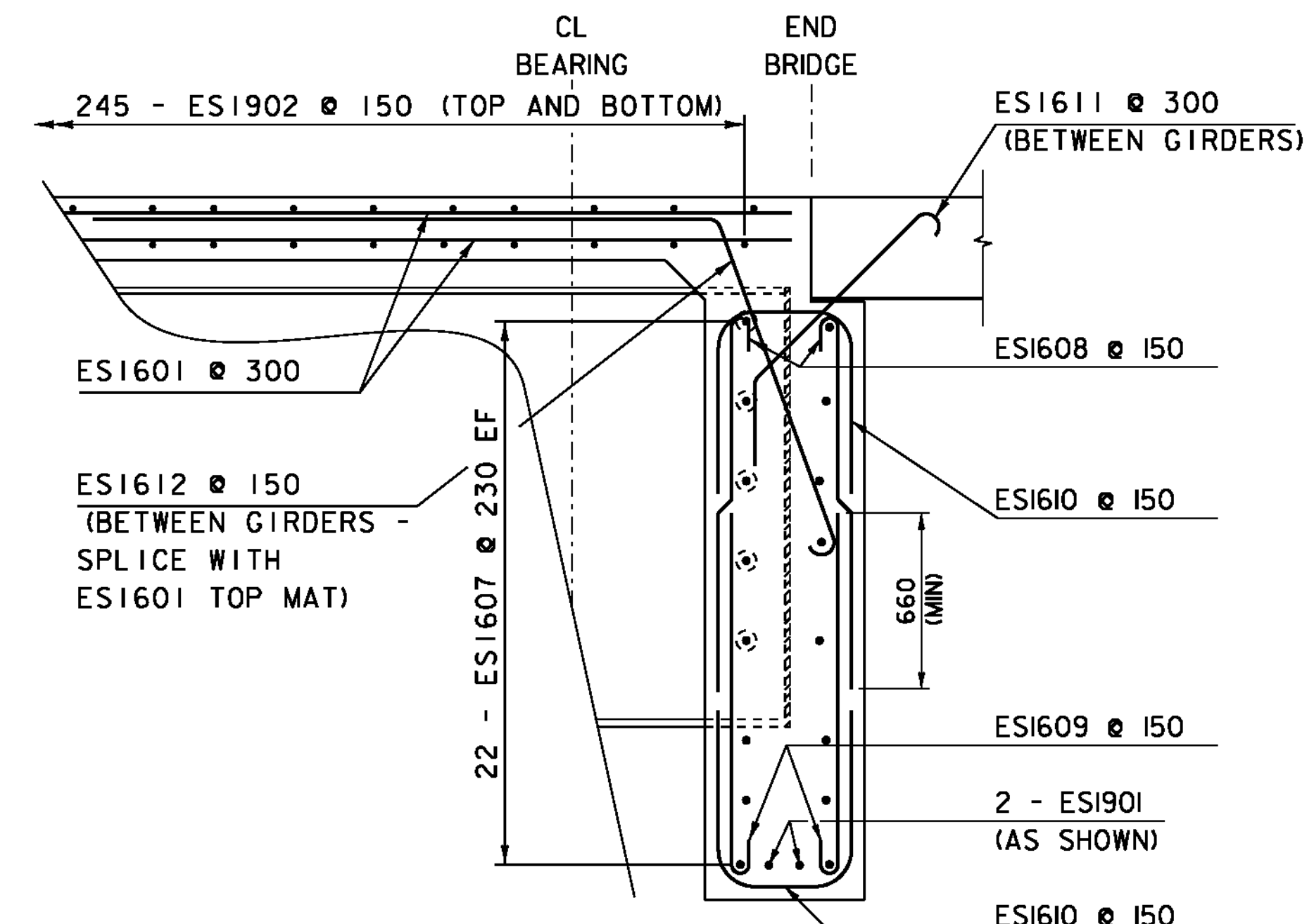
ABUTMENT 2 TYPICAL SECTION

SCALE 1:20



ABUTMENT 2 STEM REINFORCING DETAIL

SCALE 1:20



ABUTMENT 2 BACKWALL REINFORCING DETAIL

SCALE 1:20

- NOTE:**
- PREFABRICATED COMPOSITE INTEGRAL ABUTMENT DRAIN (PCIID) SHALL BE SELECTED FROM ONE OF THE FOLLOWING PRODUCTS (OR AN EQUIVALENT):
 - A) MIRADRAIN 9000
 - B) TERADRAIN 101
 - C) SHEET DRAIN
 ALSO, THE PRODUCT MUST HAVE A MINIMUM THICKNESS OF 0.4in AS MEASURED IN ASTM D5199.
 - FOR DOWEL DETAILS SEE ABUTMENT 2 FOOTING REINFORCING PLAN (SHEET 36)

NOTES:
 NF = NEAR FACE
 FF = FAR FACE
 EF = EACH FACE
 ▲ = CUT TO FIT IN FIELD
 80 COVER UNLESS OTHERWISE SPECIFIED ON THE PLANS

PROJECT NAME: NEWFANE	PLOT DATE: 27-JUL-2011
PROJECT NUMBER: BRF 0106 (3) S	DRAWN BY: C. MOONEY
FILE NAME: s95j280sub.dgn	CHECKED BY: G. SWEENEY
PROJECT LEADER: C. CARLSON	SHEET 33 OF 70
DESIGNED BY: T. LACKEY	
ABUTMENT TYPICALS SHEET	