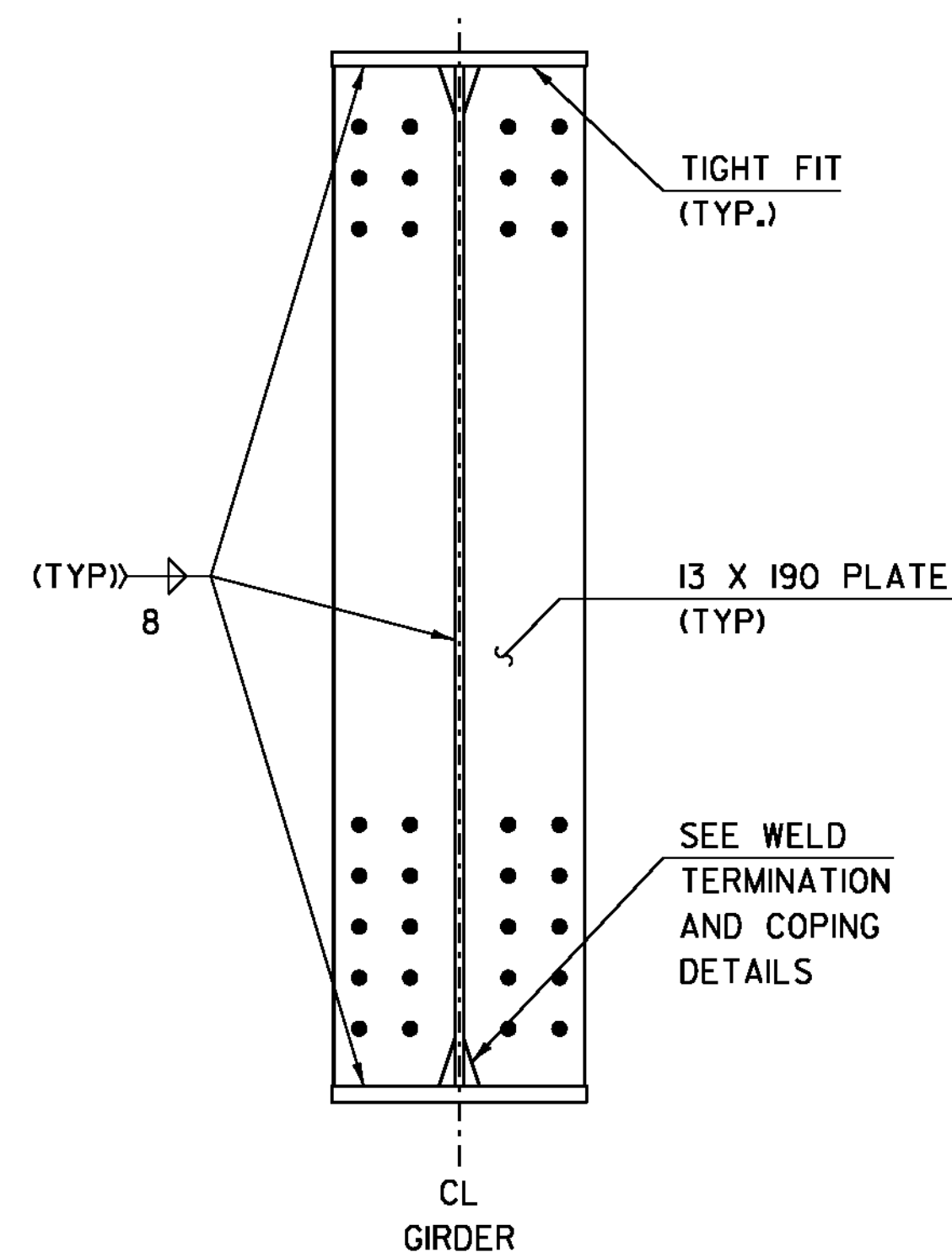
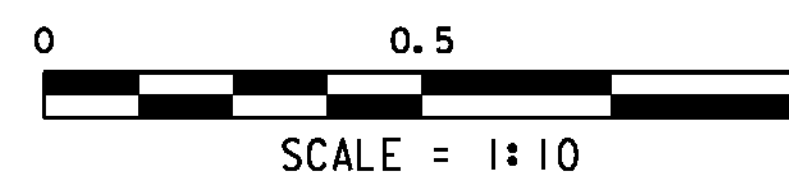
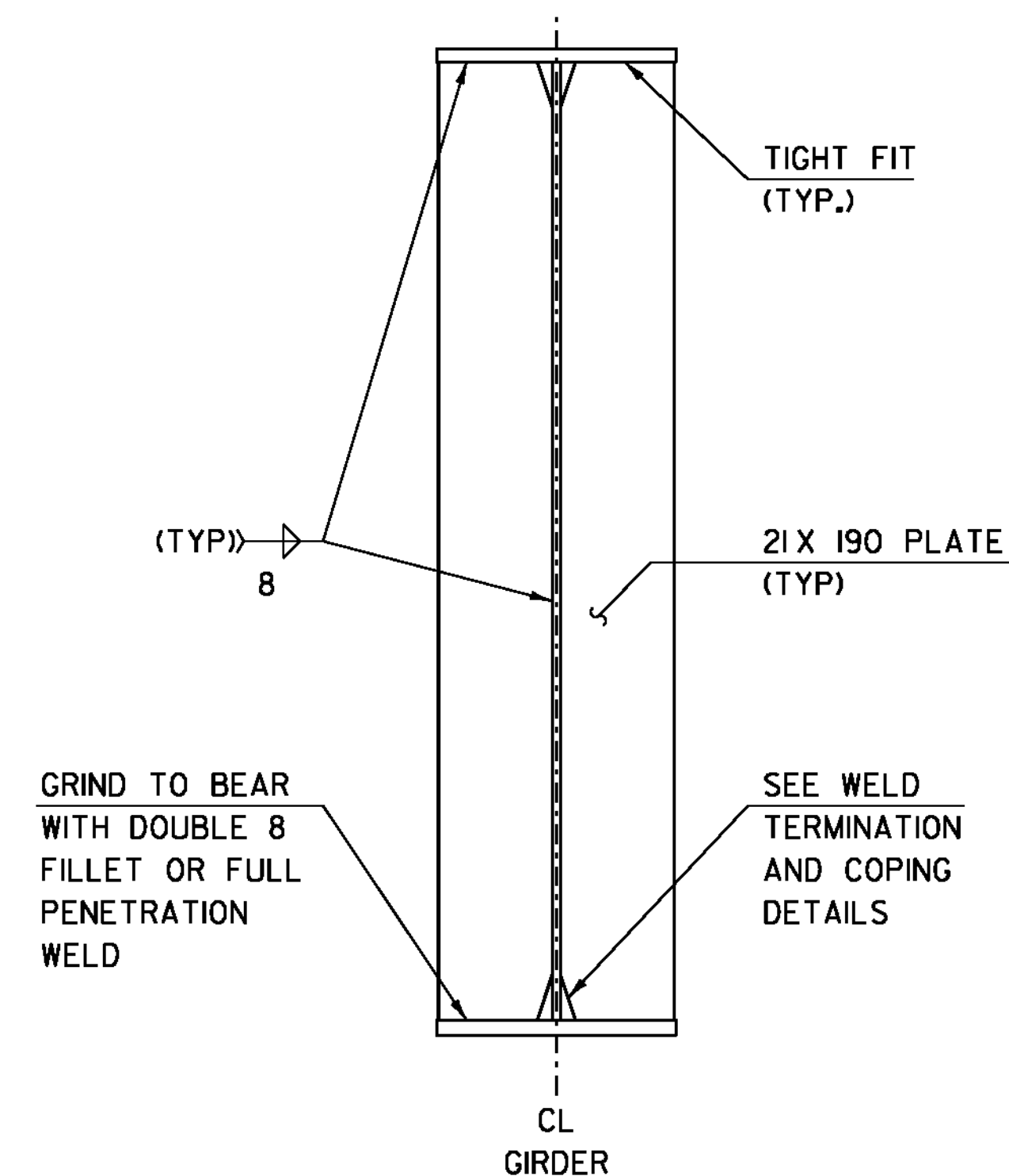
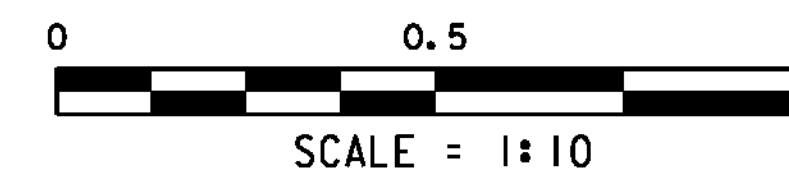


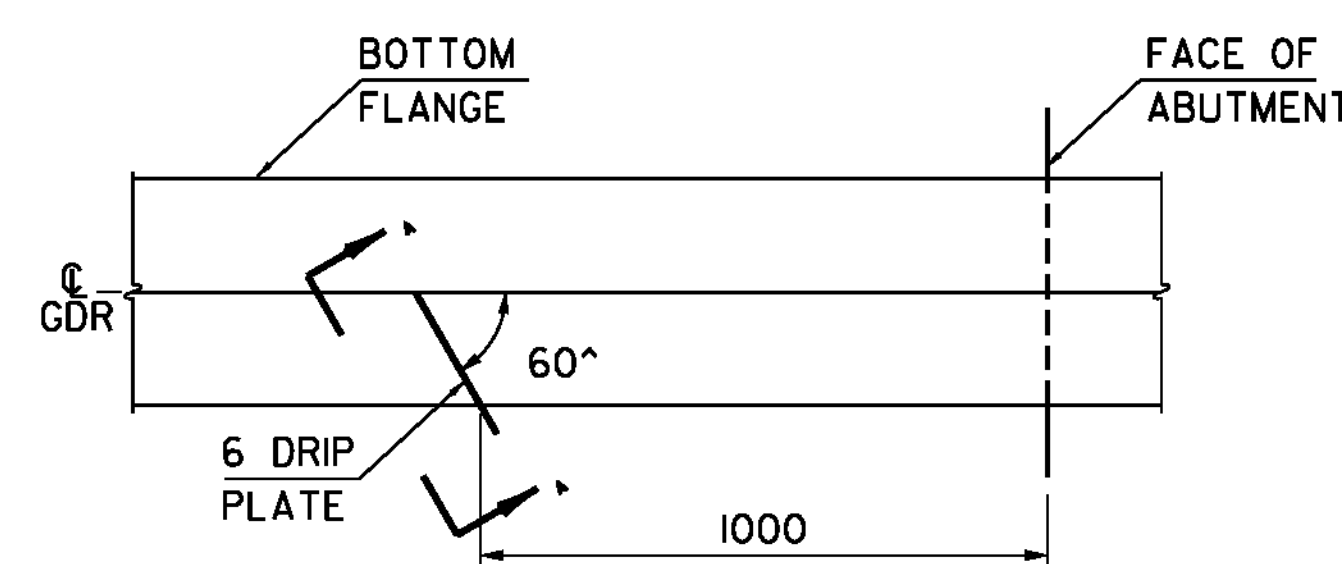
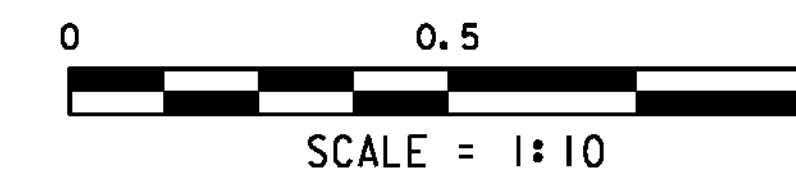
INTERMEDIATE CROSS FRAME



INTERMEDIATE CROSS FRAME CONNECTION PLATE DETAIL

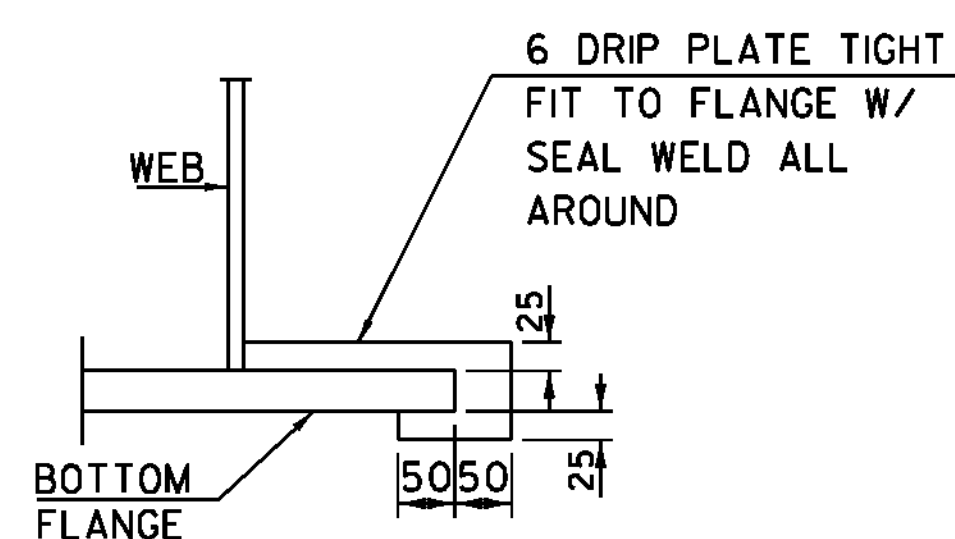


ABUTMENT BEARING STIFFENER DETAIL



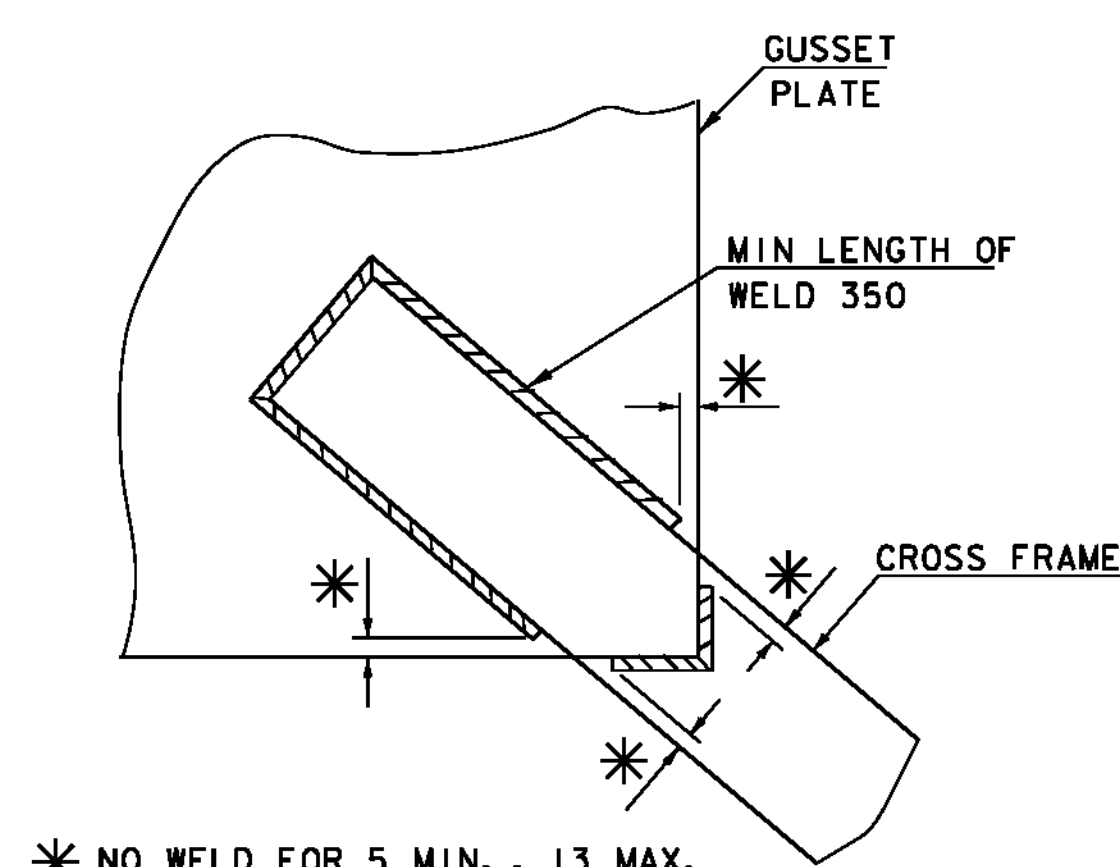
DRIP PLATE PLAN

NTS



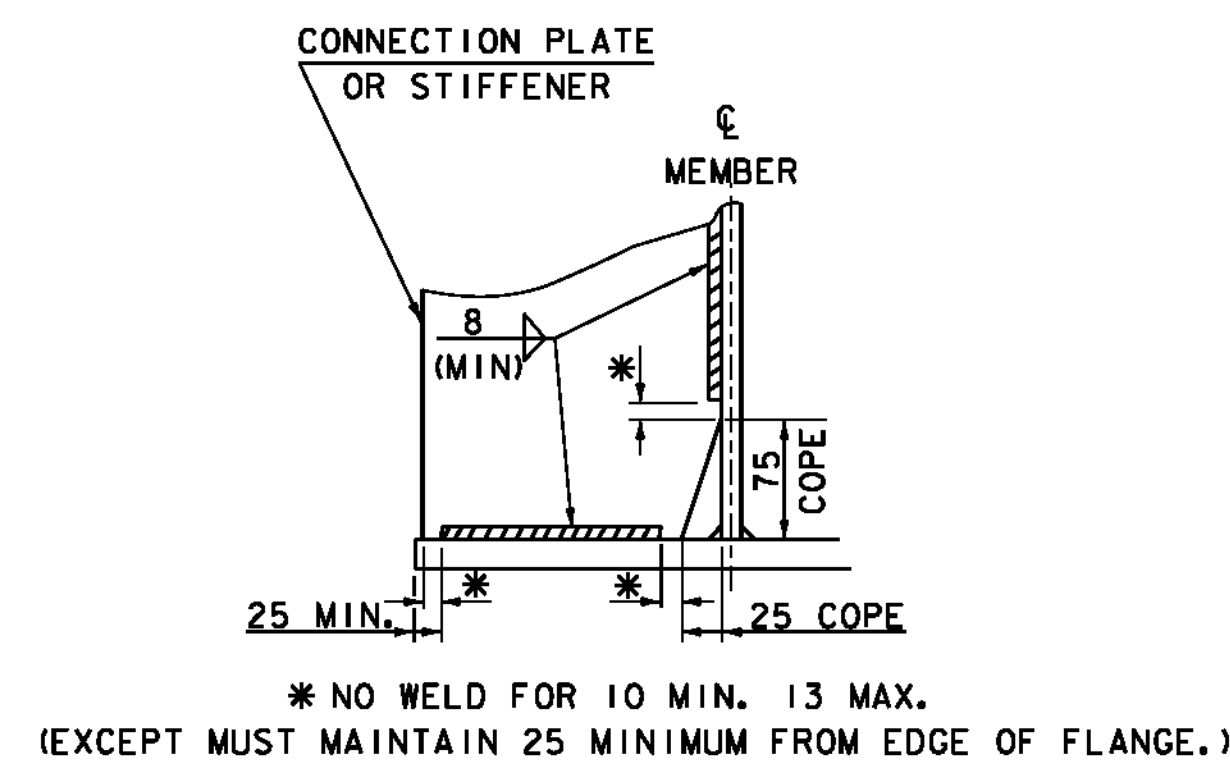
SECTION A-A

NTS



WELD LOCATION DETAIL AT INTERMEDIATE CROSS FRAMES

NTS



WELD TERMINATION AND COPING DETAIL FOR WELDED PLATE GIRDERS

NTS

**NOTES:**

DRIP PLATES SHALL BE PLACED ON OUTSIDE EDGE OF FASCIA GIRDERS ON THE HIGH SIDE OF BOTH ABUTMENTS OR AS INDICATED ON THE PLANS

PROJECT NAME: NEWFANE  
PROJECT NUMBER: BRF 0106(3)S

FILE NAME: 95J280/str/s95J280str.dgn PLOT DATE: 22-JUL-2011  
PROJECT LEADER: C. CARLSON DRAWN BY: C. MOONEY  
DESIGNED BY: W. LAMMER CHECKED BY: C. CARLSON  
CROSSFRAME DETAILS SHEET 28 OF 70