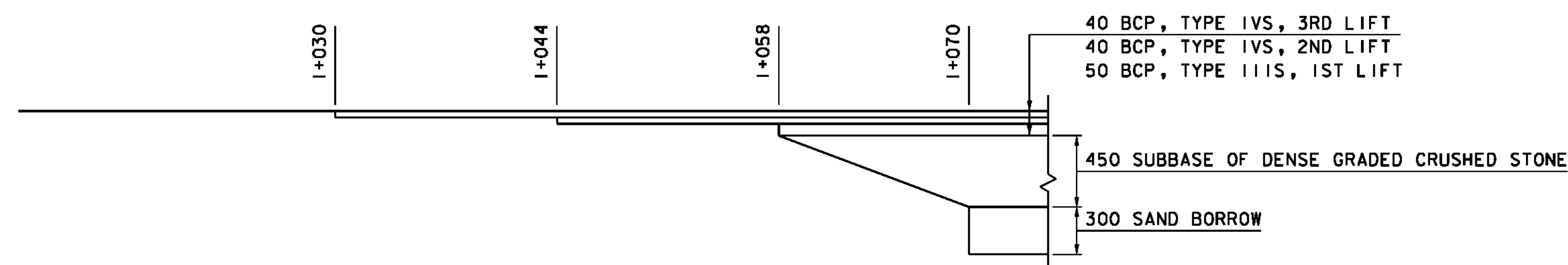
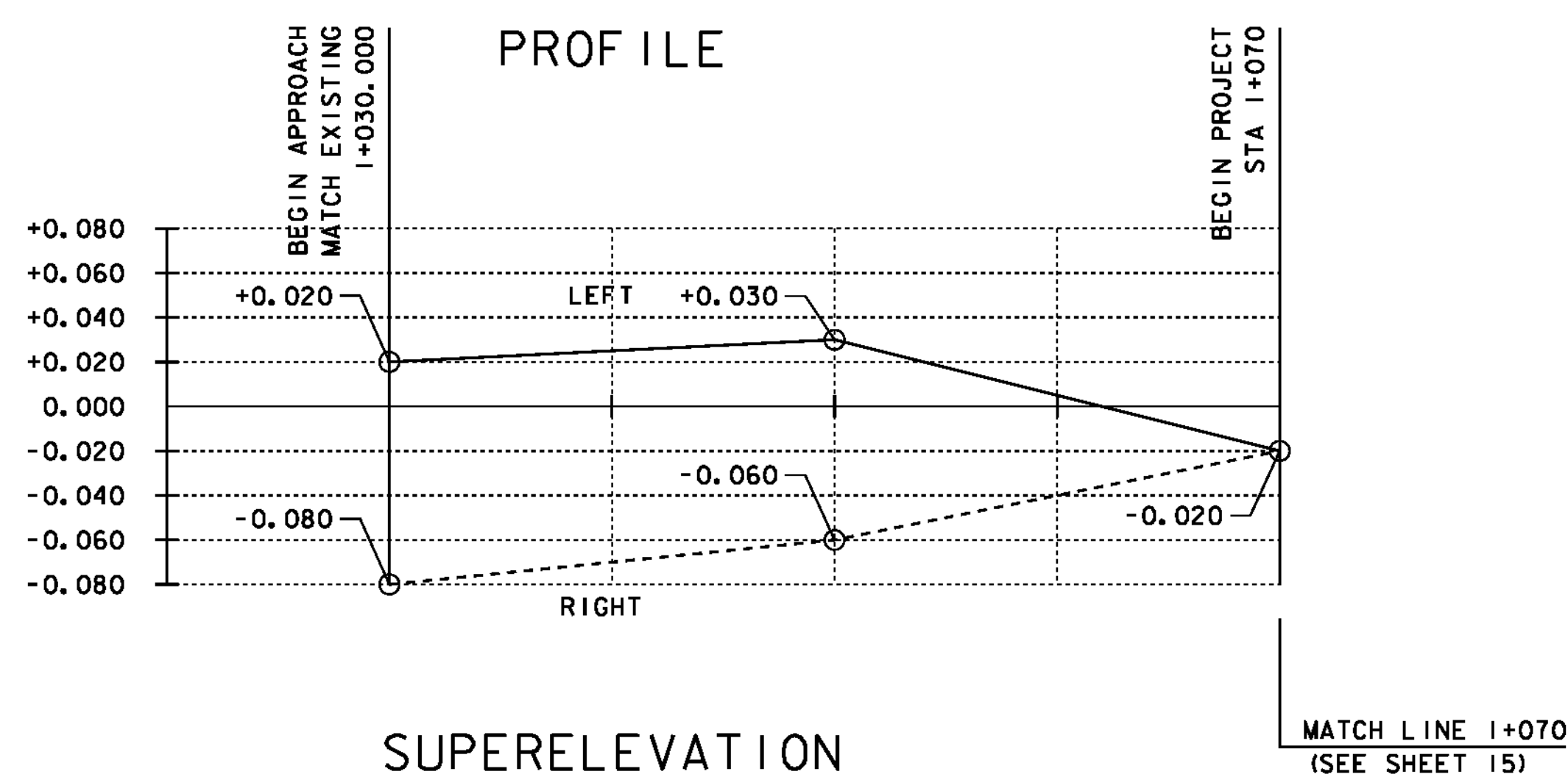
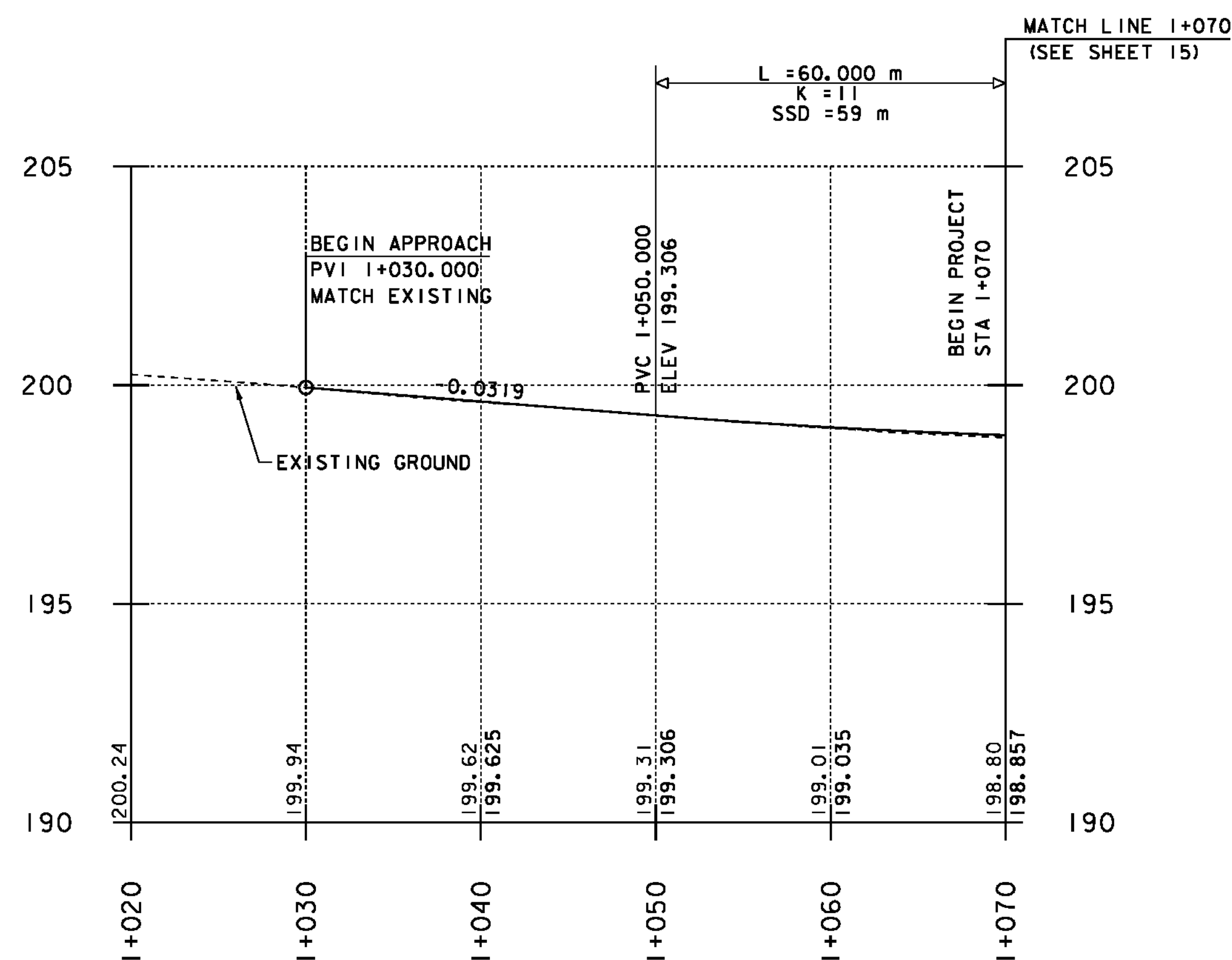
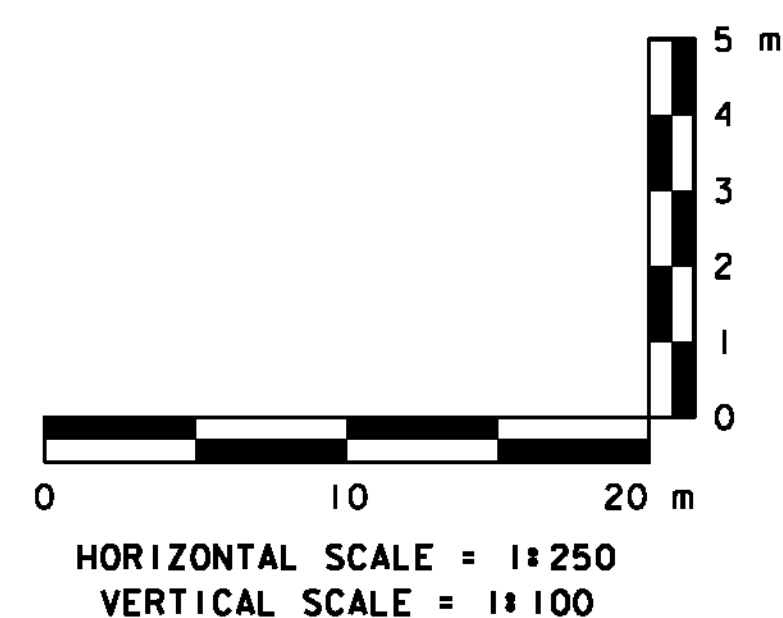


PROFILE NOTES:

1. PROFILE ELEVATIONS ARE GIVEN ALONG THE PROPOSED CENTERLINE.
2. EXISTING ELEVATIONS ARE GIVEN TO 0.01 m.
3. FINISH GRADE ELEVATIONS ARE GIVEN TO 0.001 m.

# TH #2



## MATERIAL TRANSITION

MATERIAL TRANSITION NOTES:

1. BCP = SPECIAL PROVISION (BITUMINOUS CONCRETE PAVEMENT, SMALL QUANTITY)

PROJECT NAME: NEWFANE  
PROJECT NUMBER: BRF 0106 (3)S

FILE NAME: s95J280xs.dgn  
PROJECT MANAGER: C. CARLSON  
DESIGNED BY: T. LACKEY  
PROFILE SHEET 1

PLOT DATE: 22-JUL-2011  
DRAWN BY: C. MOONEY  
CHECKED BY: G. SWEENEY  
SHEET 14 OF 70