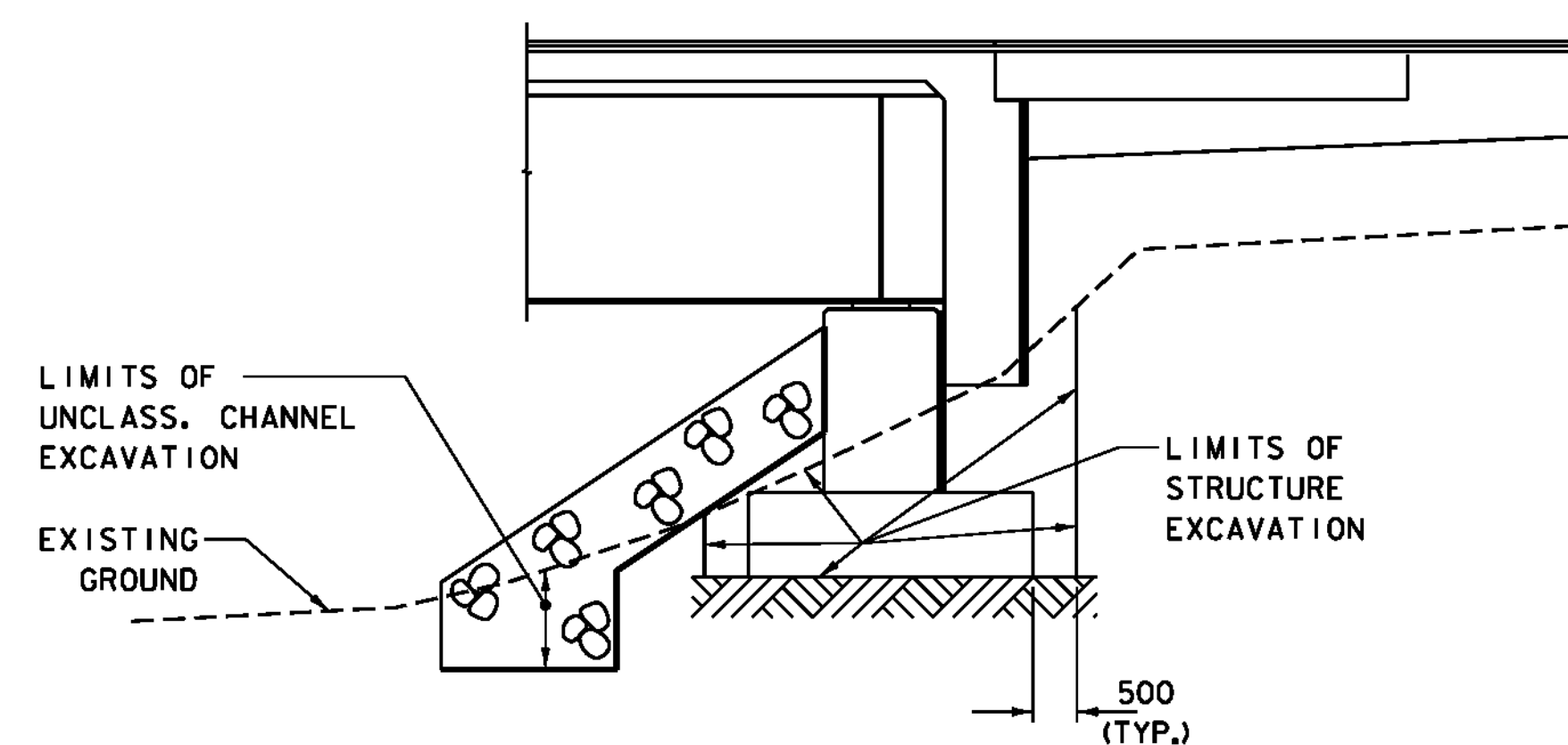
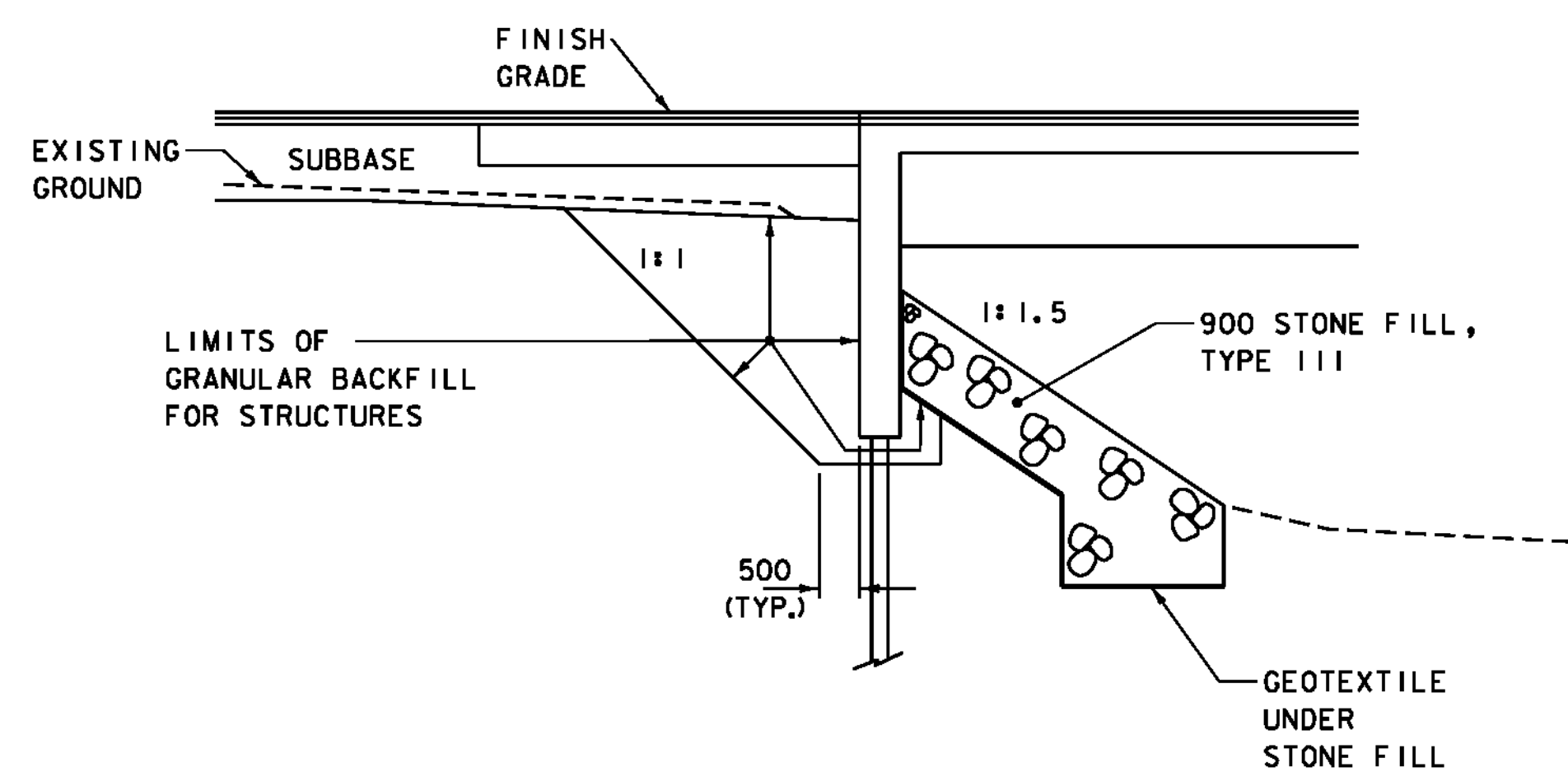


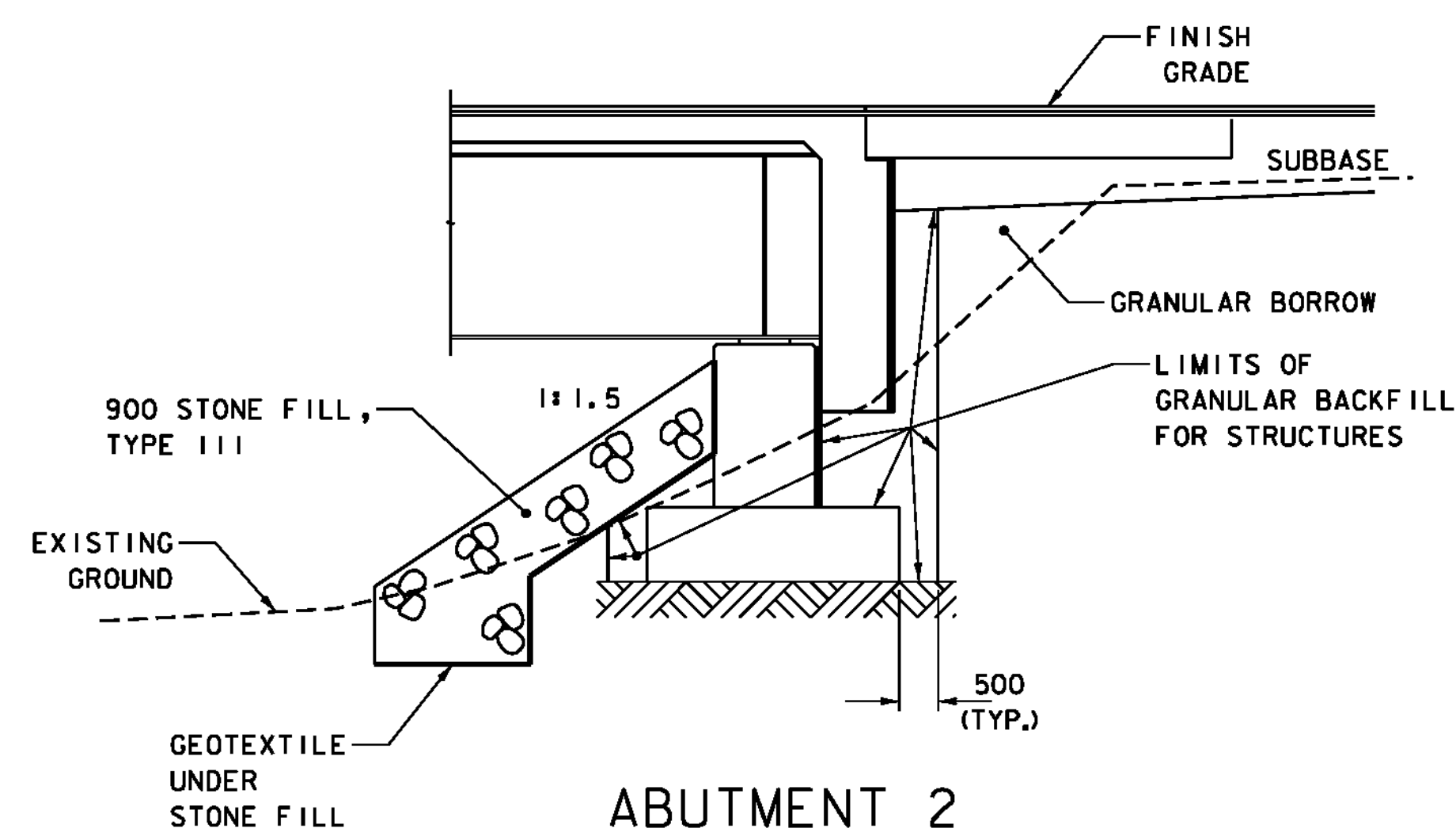
ABUTMENT 1
EXCAVATION LIMITS
(NOT TO SCALE)



ABUTMENT 2
EXCAVATION LIMITS
(NOT TO SCALE)



ABUTMENT 1
BACKFILL LIMITS
(NOT TO SCALE)



ABUTMENT 2
BACKFILL LIMITS
(NOT TO SCALE)

PROJECT NAME: NEWFANE
PROJECT NUMBER: BRF 0106 (3)S

FILE NAME: s95J280+yp.dgn
PROJECT MANAGER: C. CARLSON
DESIGNED BY: T. LACKEY
EARTHWORK LIMITS SHEET

PLOT DATE: 22-JUL-2011
DRAWN BY: STR3
CHECKED BY: G. SWEENEY
SHEET 5 OF 70