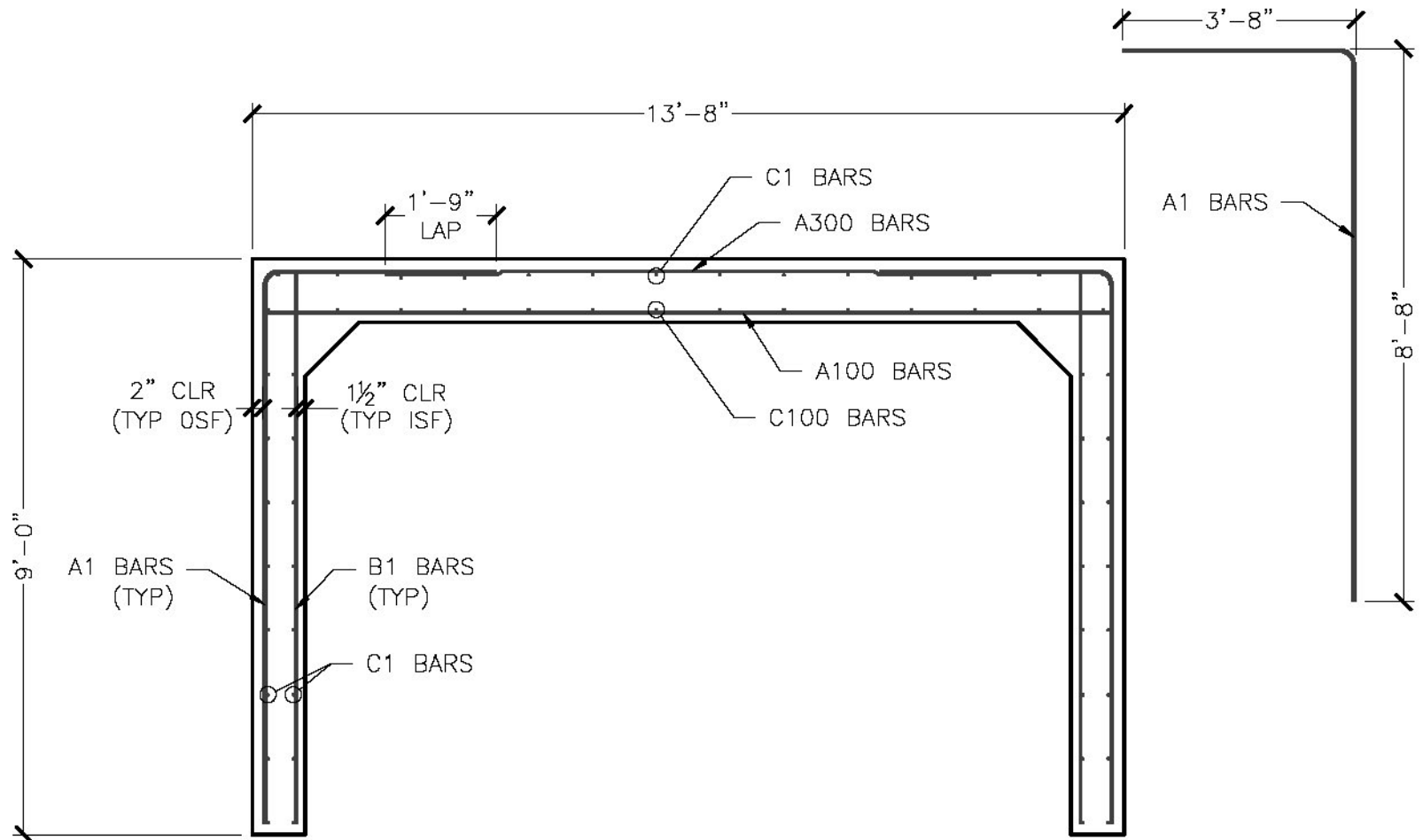


2 RIGID FRAME RFB1 ELEVATION
S5.0 $\frac{3}{8}'' = 1'-0''$



7 RFB REINFORCING SECTION
S5.0 $\frac{3}{8}'' = 1'-0''$

S:\PROJECTS\CASELLA CONSTRUCTION\SHREWSBURY, VT - VTAOT STP 1443 (44)\DWGS\RFB 12x8 CASELLA 5676.DWG 3/18/2015 9:09 AM