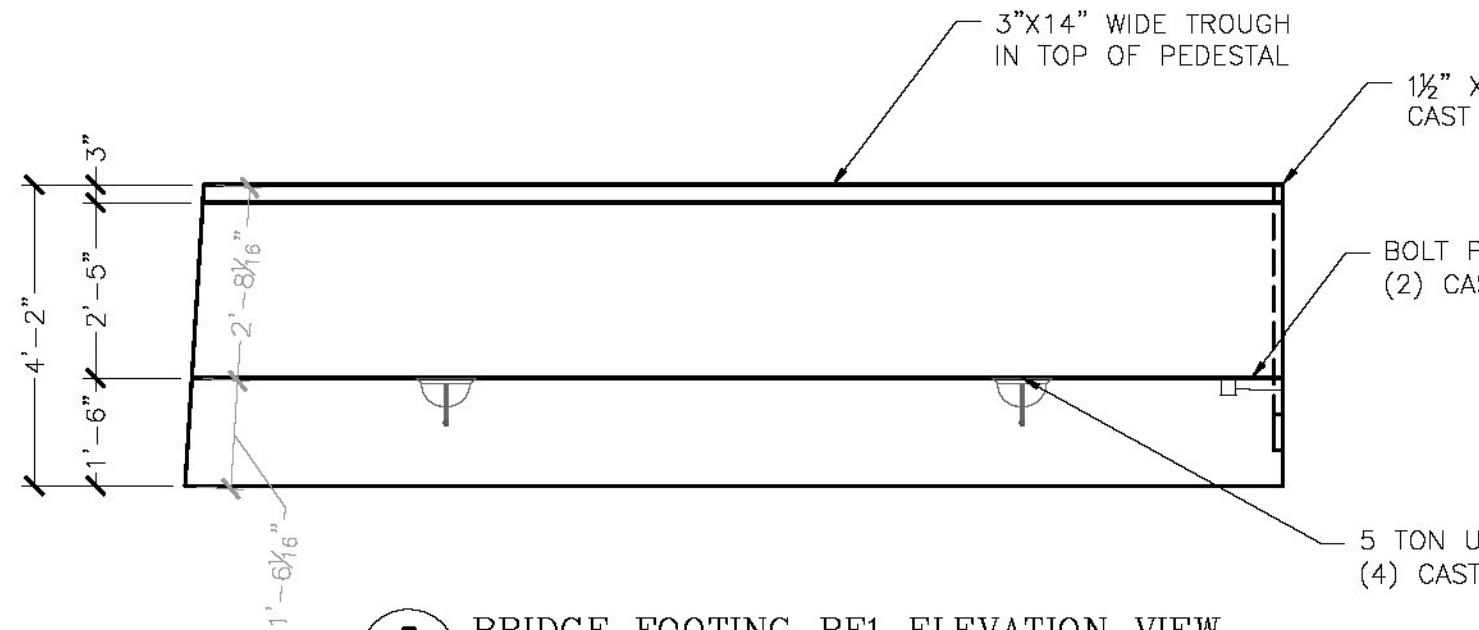


5 TON UTILITY ANCHOR
(4) CAST IN TOP OF

2 BRIDGE FOOTING BF1 PLAN VIEW
S3.0 $\frac{3}{8}'' = 1'-0''$

BF1 - 2 REQ'D
ITEM #282400
BASE: 5.06CY
PEDESTAL: 2.82CY
TOTAL WT: 33,100#



3 BRIDGE FOOTING BF1 ELEVATION VIEW
S3.0 $\frac{3}{8}'' = 1'-0''$