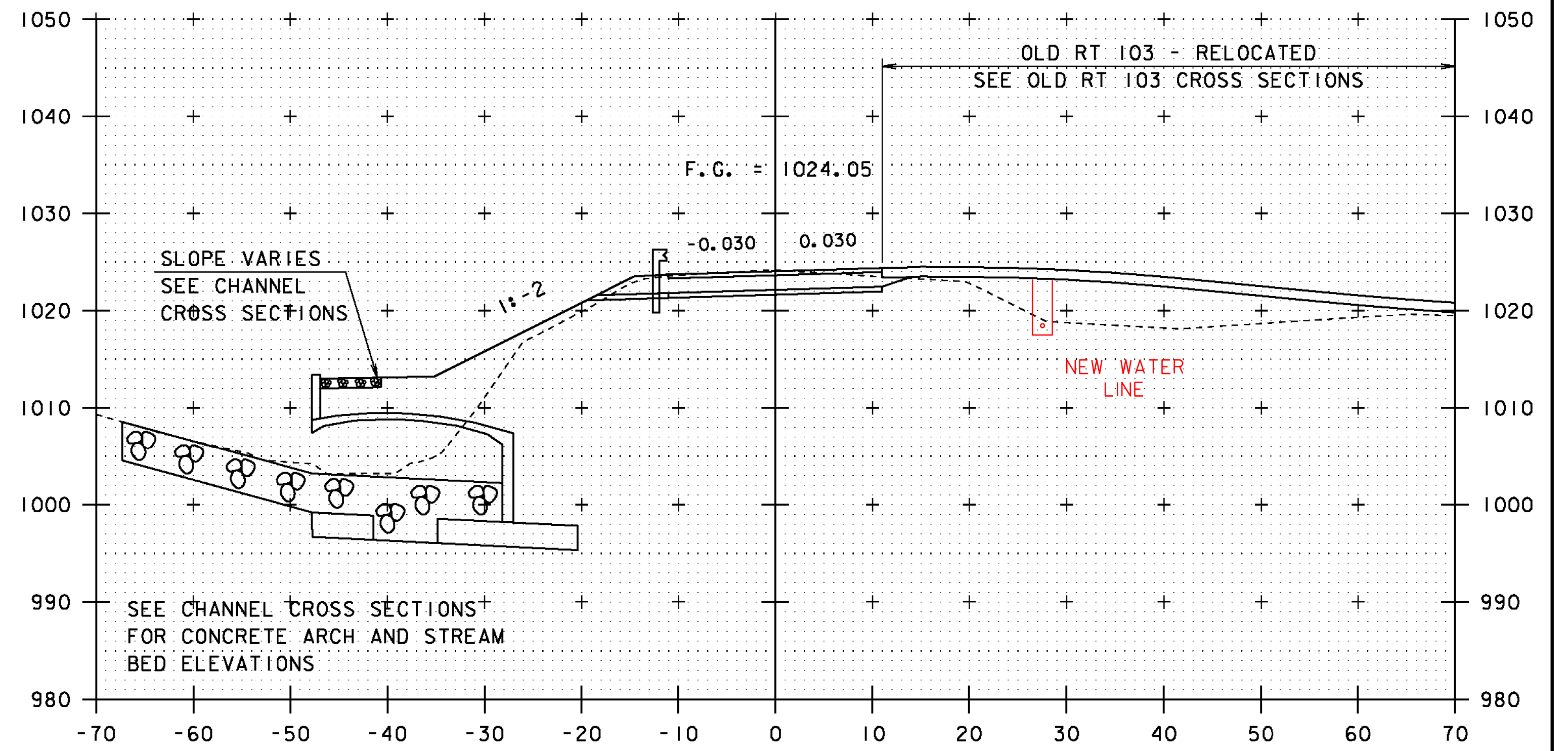
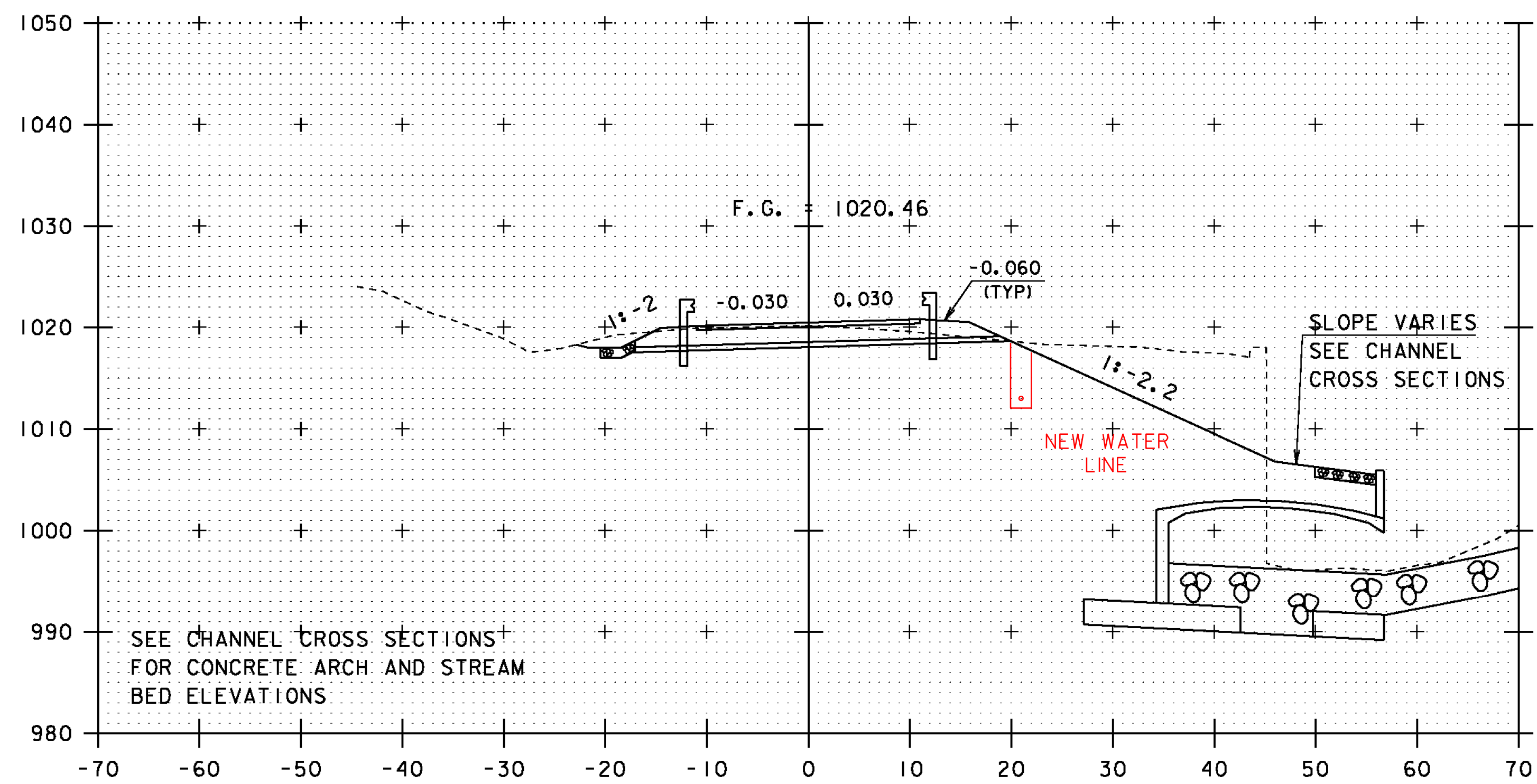


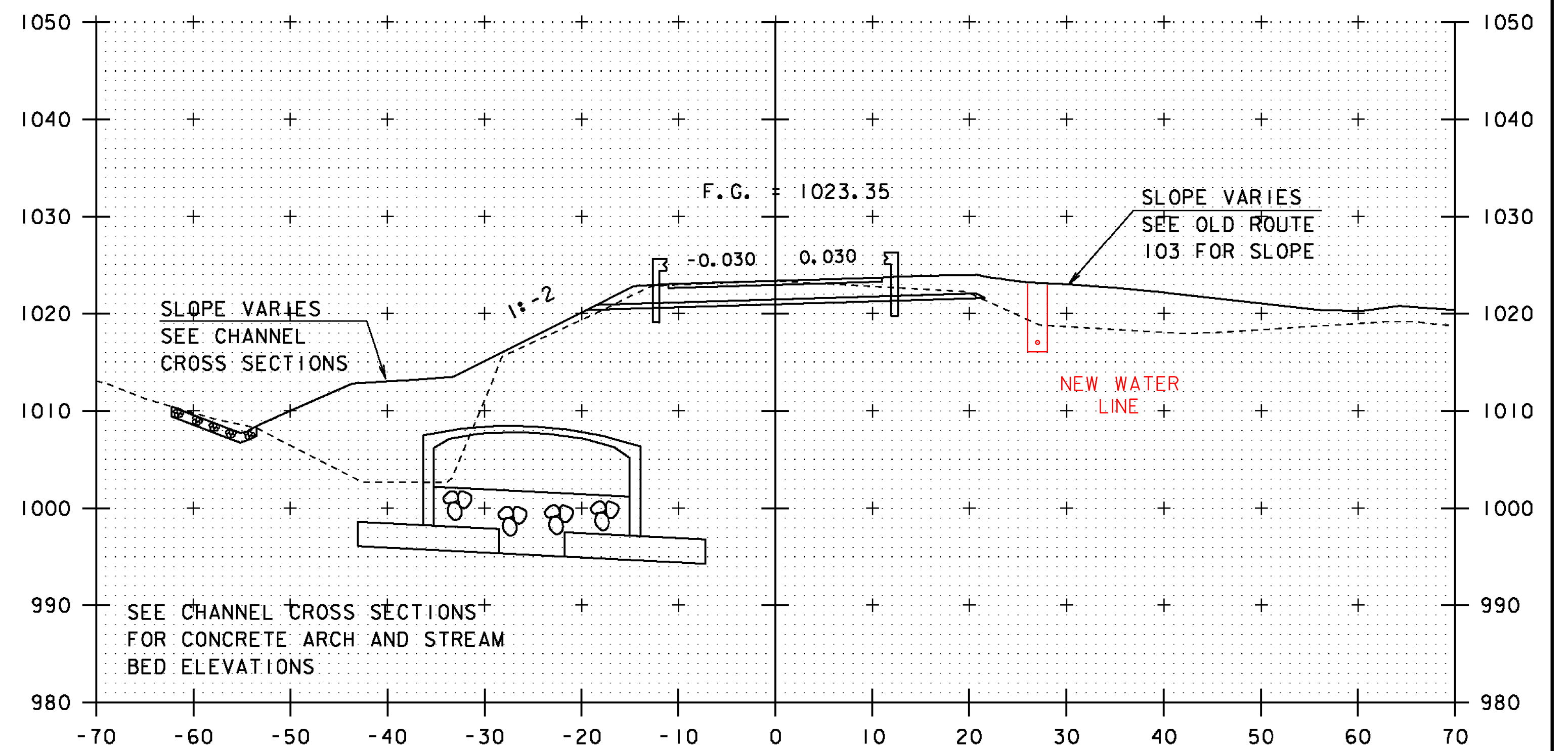
102+81.50 = CHANNEL STA 201+25.00
(CONCRETE ARCH CROSSING)



103+10 (OLD RT 103 - RT)



102+50



103+00

STA. 102+50 TO STA. 103+10

PROJECT NAME:	SHREWSBURY	PLOT DATE:	12-MAY-2014	
PROJECT NUMBER:	STP 1443 (44)	DRAWN BY:	M. LONGSTREET	
FILE NAME:	s94j54xs.dgn	DESIGNED BY:	N. VANDENBERG	
PROJECT LEADER:	C. CARLSON	TH 4 CROSS SECTION SHEET 2	CHECKED BY:	J. LACROIX
			SHEET	22 OF 36