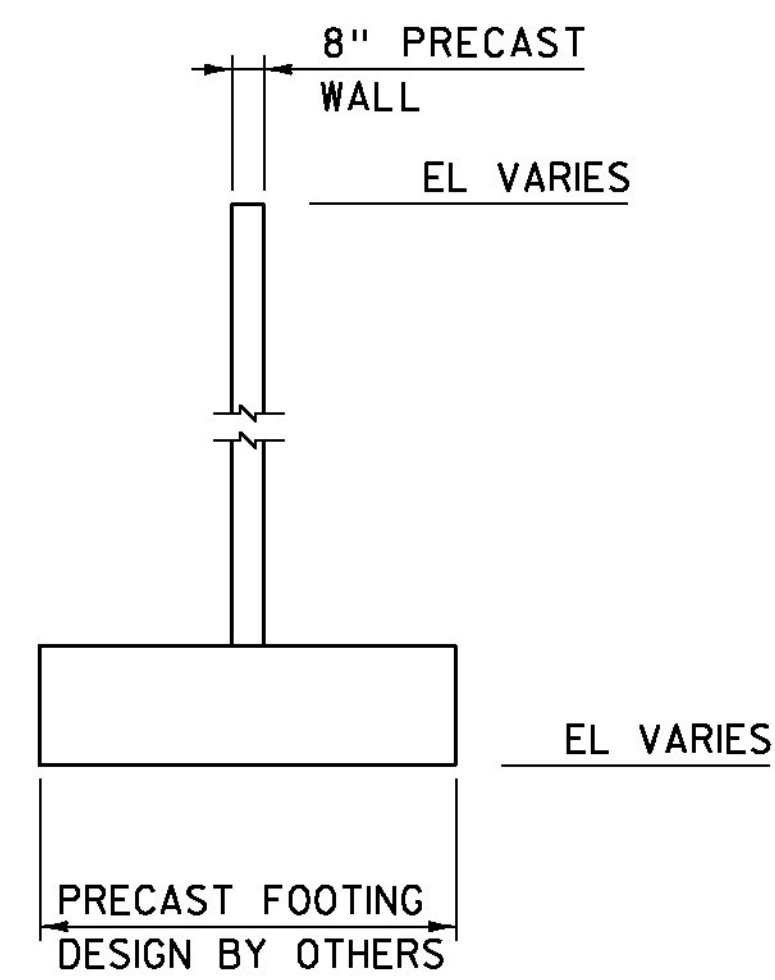


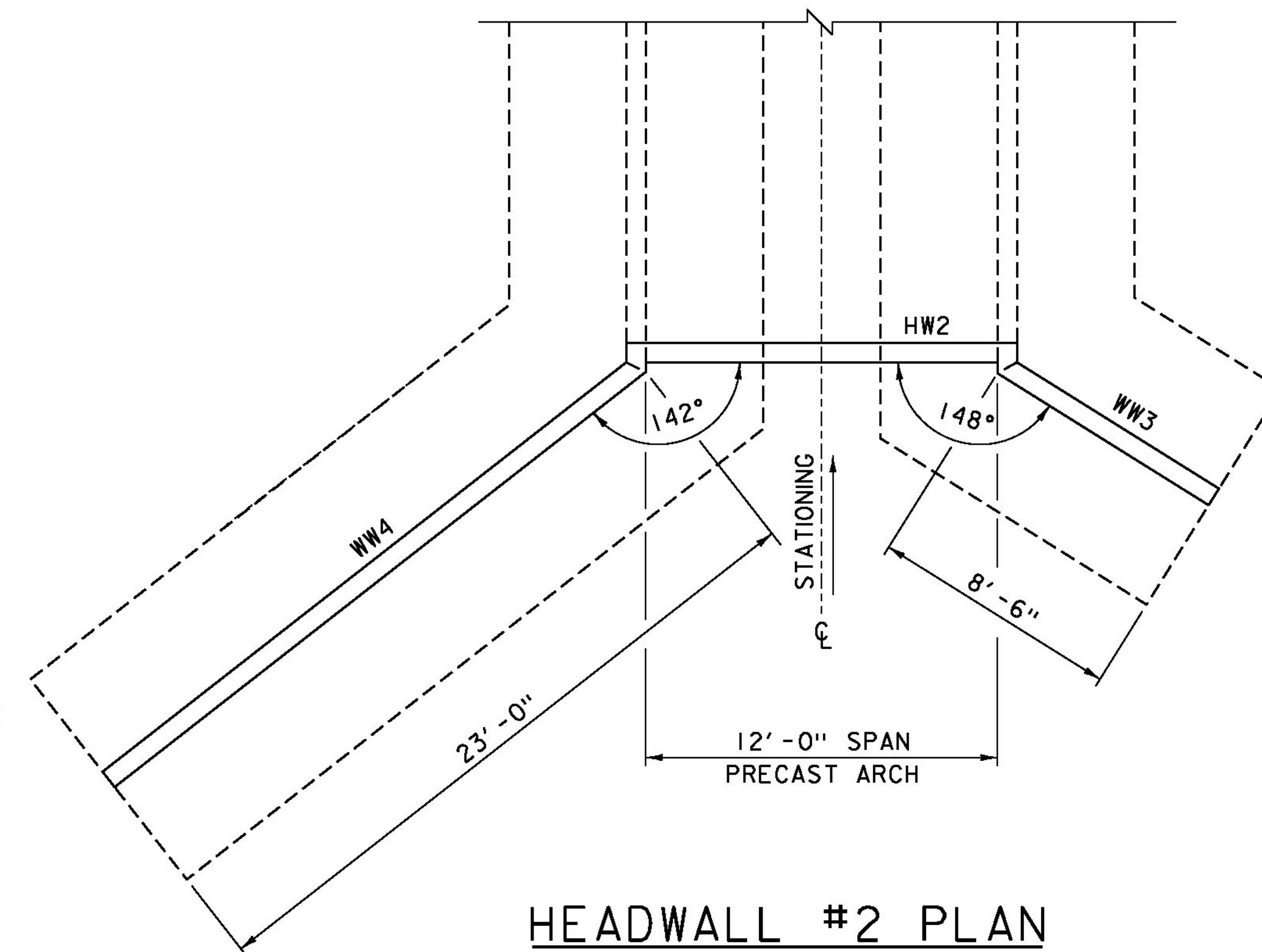
HEADWALL #1 PLAN

SCALE: 1/4" = 1'-0"



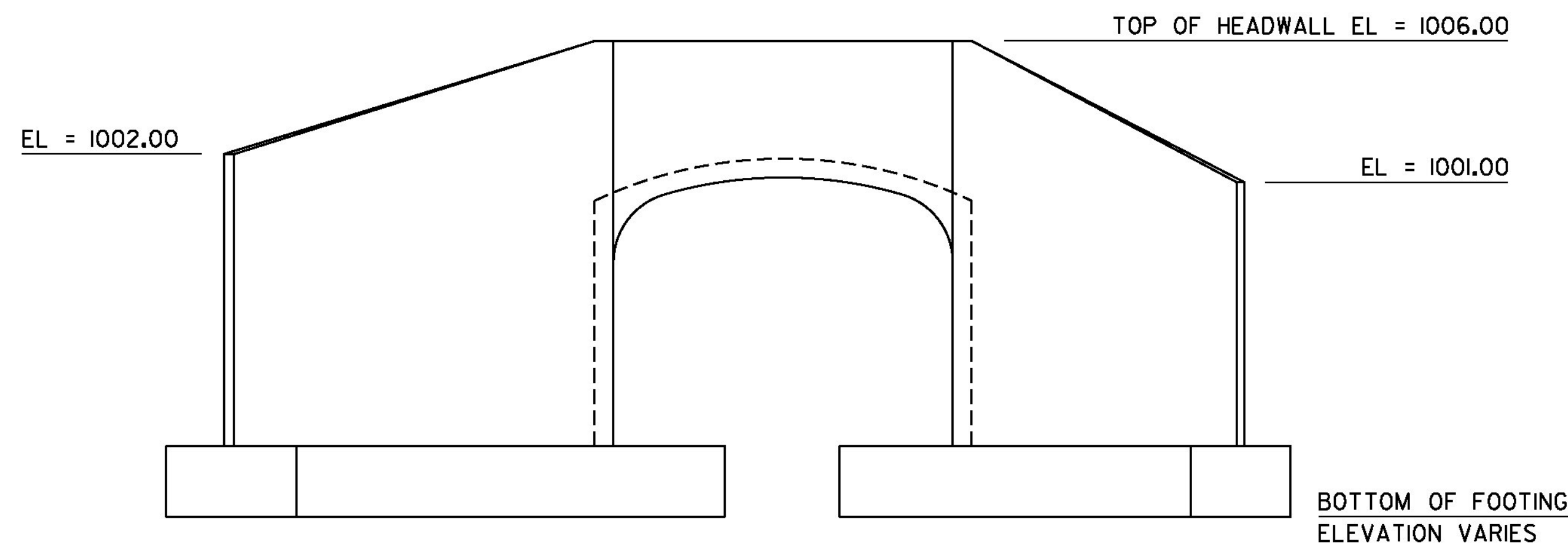
WINGWALL TYPICAL

SCALE: 1/4" = 1'-0"



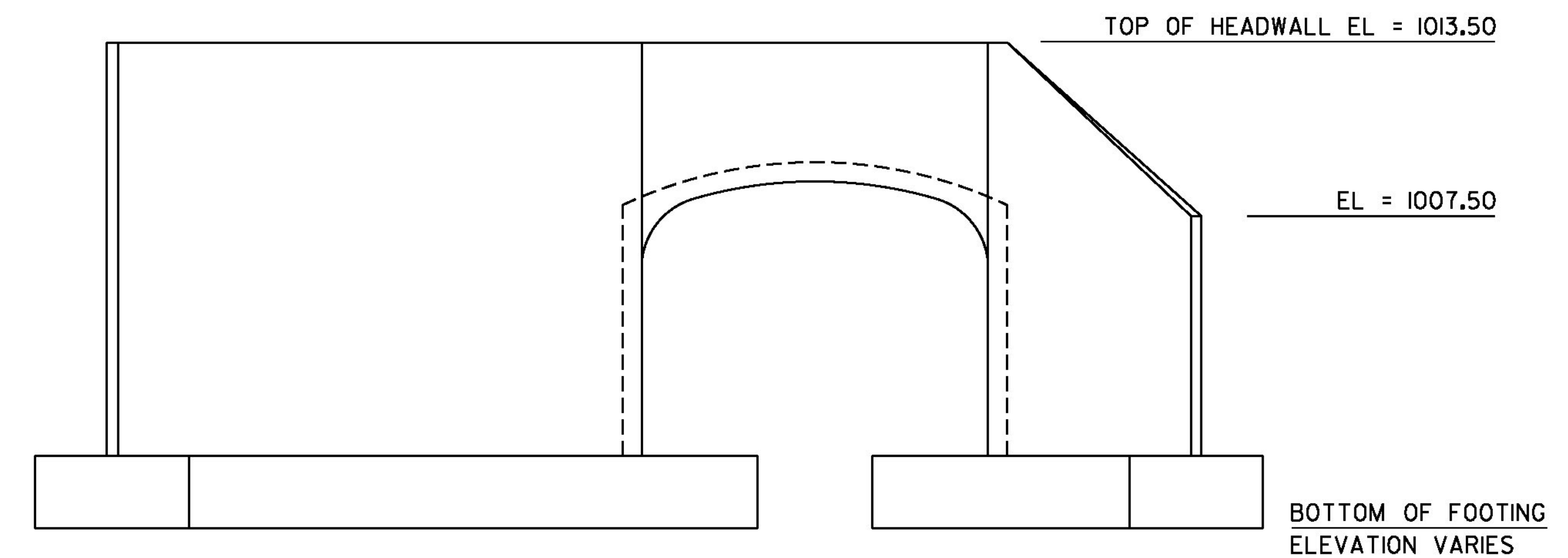
HEADWALL #2 PLAN

SCALE: 1/4" = 1'-0"



HEADWALL #1 ELEVATION

SCALE: 1/4" = 1'-0"



HEADWALL #2 ELEVATION

SCALE: 1/4" = 1'-0"

PROJECT NAME: SHREWSBURY	
PROJECT NUMBER: STP 1443 (44)	
FILE NAME: s94j154sub.dgn	PLOT DATE: 12-MAY-2014
PROJECT LEADER: C. CARLSON	DRAWN BY: M. LONGSTREET
DESIGNED BY: N. VANDENBERG	CHECKED BY: J. LACROIX
HEADWALL PLANS & ELEVATIONS	SHEET 20 OF 36