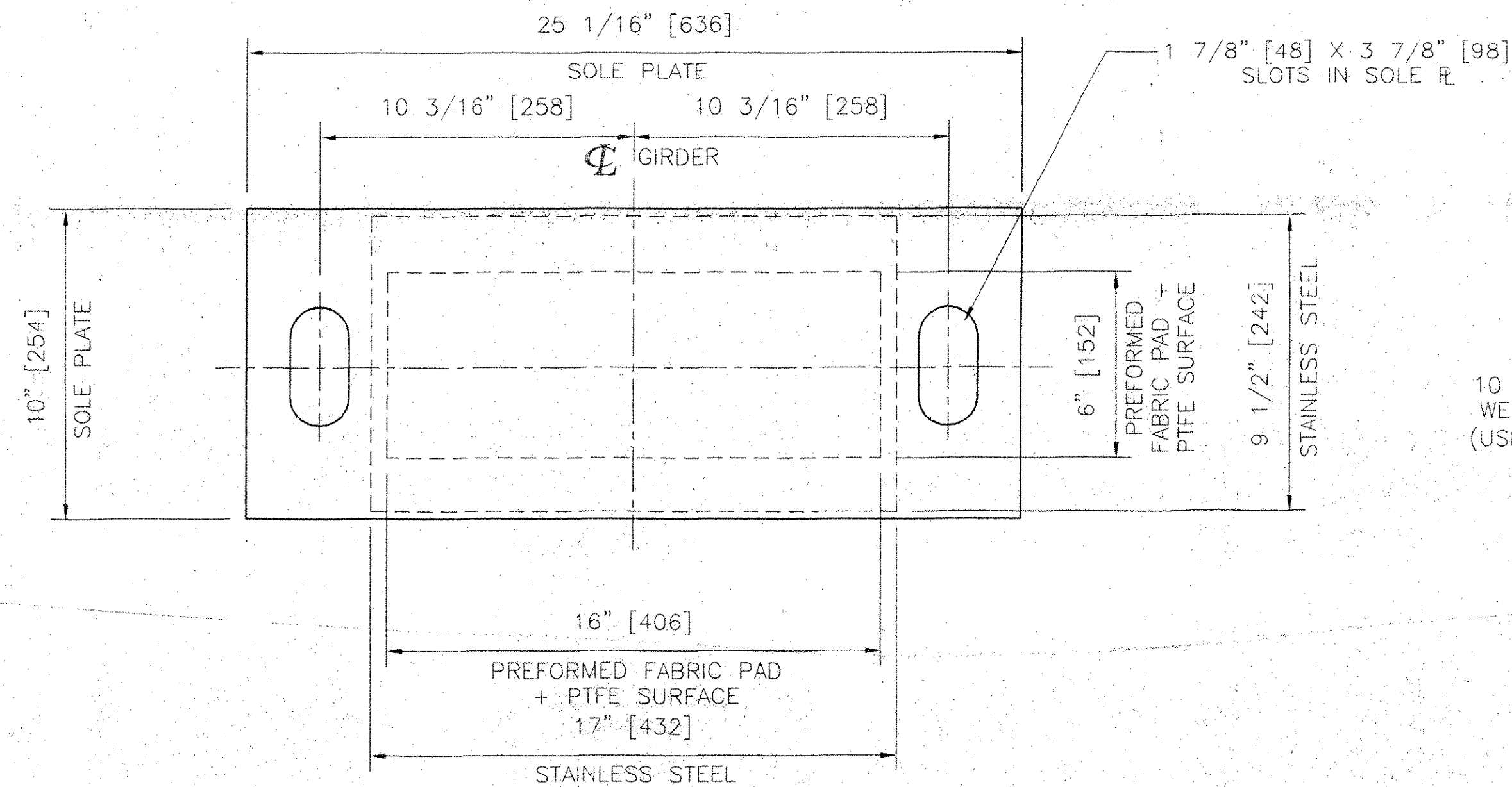
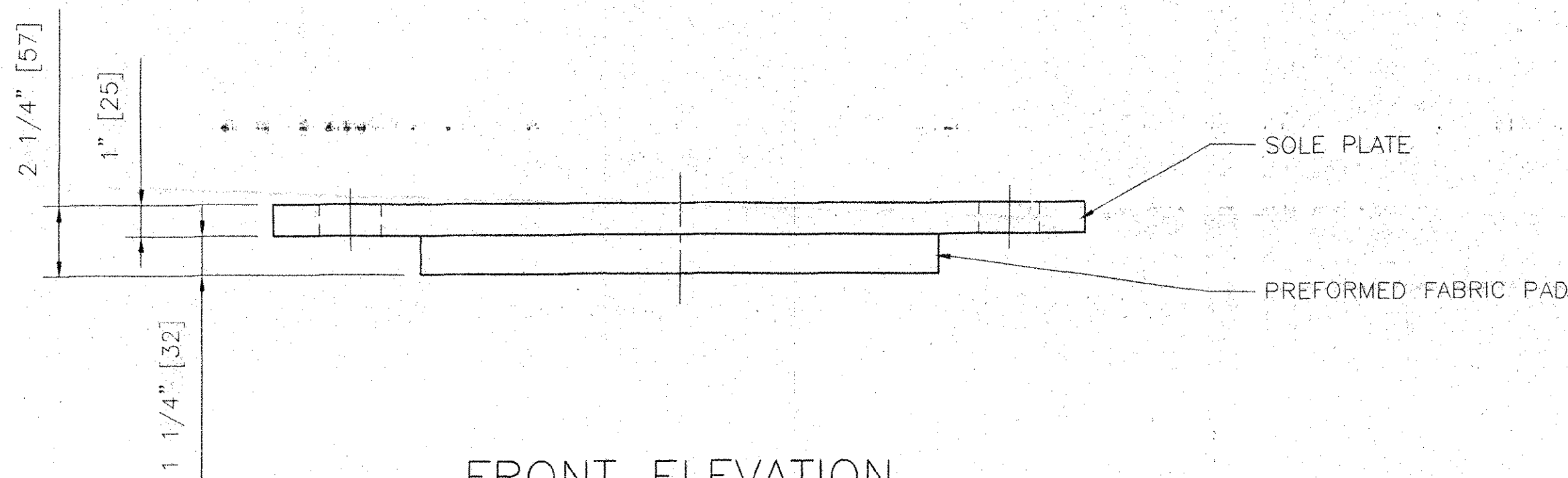


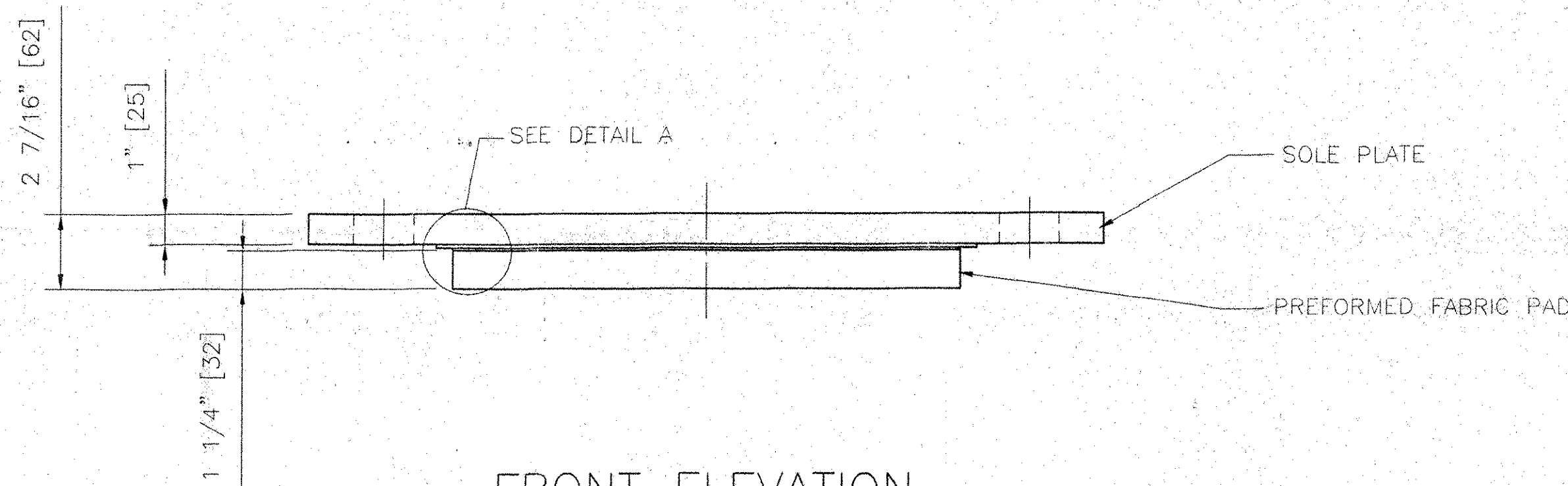
PLAN



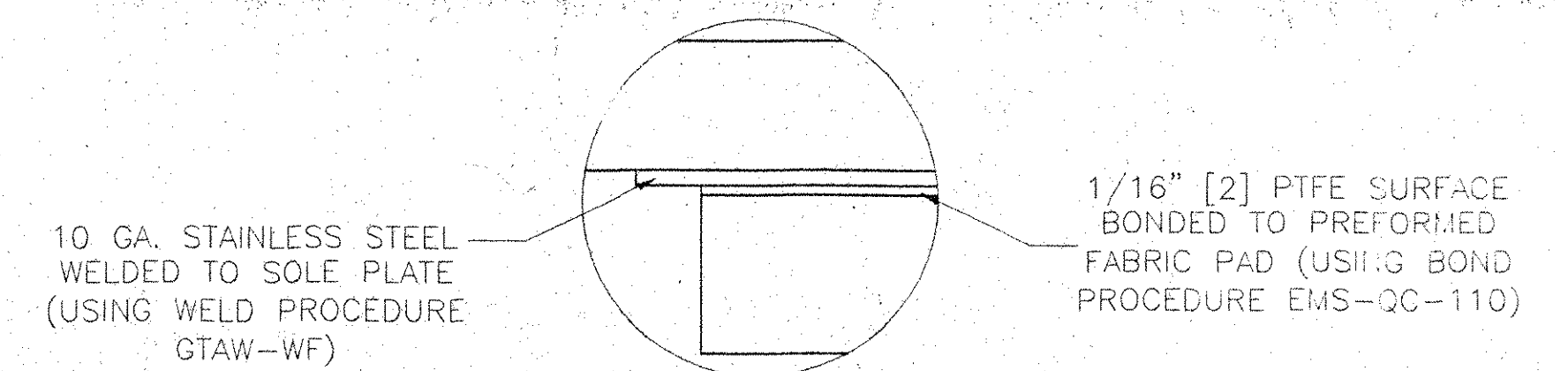
PLAN



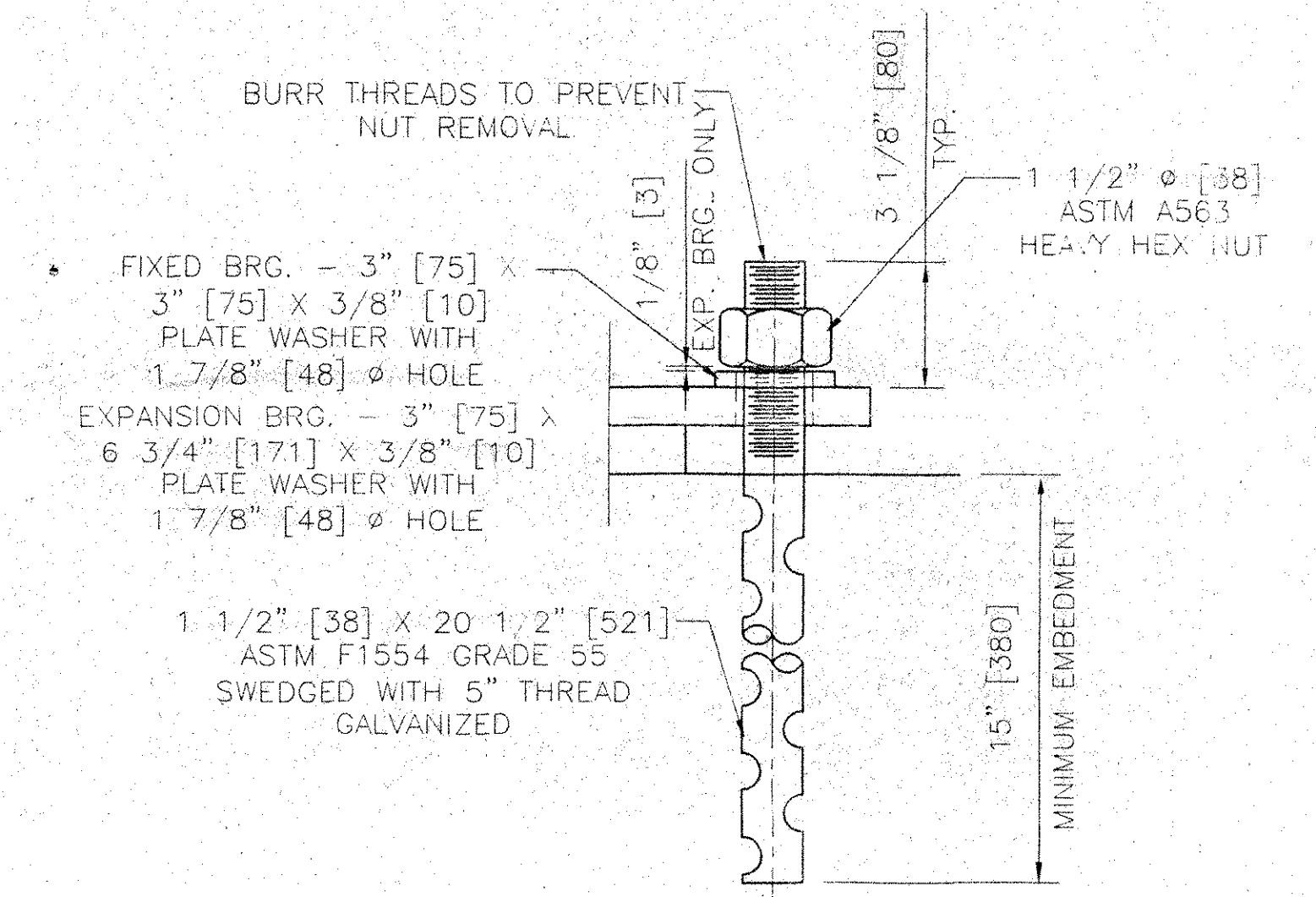
FRONT ELEVATION



FRONT ELEVATION



DETAIL A



ANCHOR BOLT DETAIL

COSMEC FIXED PREFORMED FABRIC PAD BEARING

LOCATION: ABUTMENT 1
QUANTITY: 4

BEARING NOTES

- ALL MATERIALS USED IN THE FABRICATION OF THESE BEARINGS SHALL BE MADE IN THE U.S.A.
- BEARINGS ARE TO BE SHIPPED AS COMPLETE UNITS, STEEL BANDED, AND SHALL BE WRAPPED TO PROTECT FROM MOISTURE AND DIRT DURING TRANSIT AND STORAGE.
- LOCATION OF FABRICATION PLANT - 70 SOUTH STREET WALPOLE, MA 02081
- COSMEC, INC. REPRESENTATIVE - MR. MATT McANDREWS (508) 668-6600
- BEARINGS SHALL BE STORED IN A CLEAN, DRY, LEVEL UPRIGHT POSITION.
- ALL EDGES OF STEEL PLATES SHALL HAVE 1/16" MINIMUM RADIUS.
- DESIGN CRITERIA:
 - A. BASE PLATE TO CONCRETE DESIGN PRESSURE = 7000 KPa MAXIMUM
 - B. MINIMUM ALLOWABLE DESIGN ROTATION = 0.015 RADIAN
 - C. HORIZONTAL CAPACITY SHALL BE A MINIMUM OF 10% OF THE VERTICAL LOAD
 - D. DESIGN LOAD FOR BEARING = 377 KIP
 - LL = 218 KN
 - DL = 141 KN
 - SDL = 18 KN

MATERIALS

STEEL - ASTM A709 GR. 50 ZINC METALIZED AND SEAL COATED
 STAINLESS STEEL - ASTM A.240 TYPE 304, 10 RMS FINISH OR LESS ON SLIDING SURFACE
 PREFORMED FABRIC PAD - AASHTO DIV. II SPEC. 18.4.9.1
 PTFE - ASTM D4894 VIRGIN UNFILLED
 ANCHOR BOLTS, NUTS & WASHERS - SEE DETAIL, ALL GALV.

Structures Copy

Structures Copy

STATE OF VERMONT
 HIGHWAY TH 36
 BRIDGE #24 OVER PACIFIC BROOK
 PROJECT NO. BRO 1448 (20)
 MONTGOMERY, VT

COSMEC, INC. 70 SOUTH STREET WALPOLE, MA 02081

SCALE: 1/4" = 1" DRAWN BY: MRR CHECKED BY: MCM
 DATE: 2/9/06 DATE: 2/11/06

COSMEC FABRIC PAD BEARING

CUSTOMER: A. L. ST. ONGE S.O. NUMBER: 60522 DRAWING NUMBER: 4619

REV.	BY:	DATE	CHK'D BY:	DATE