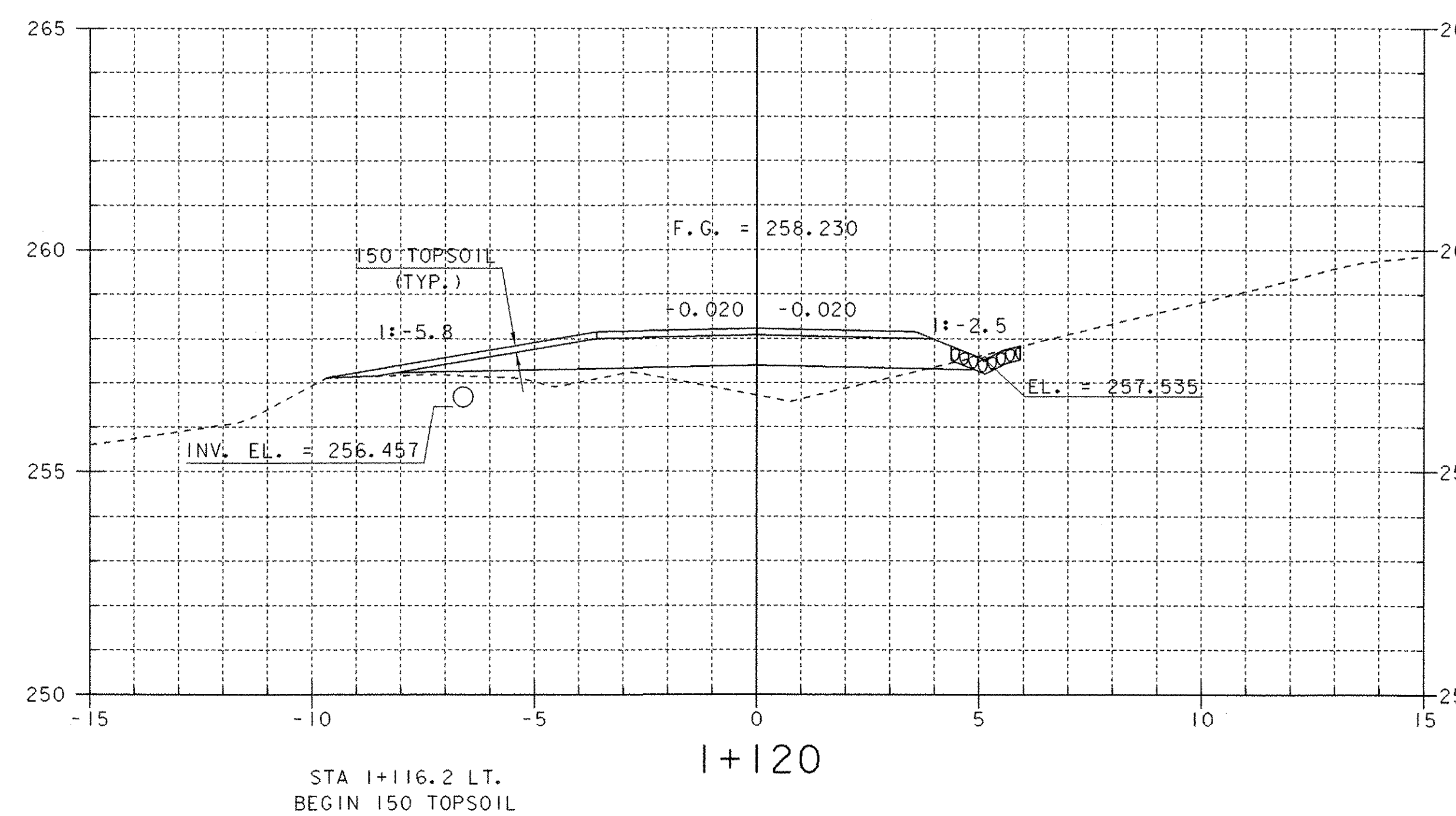
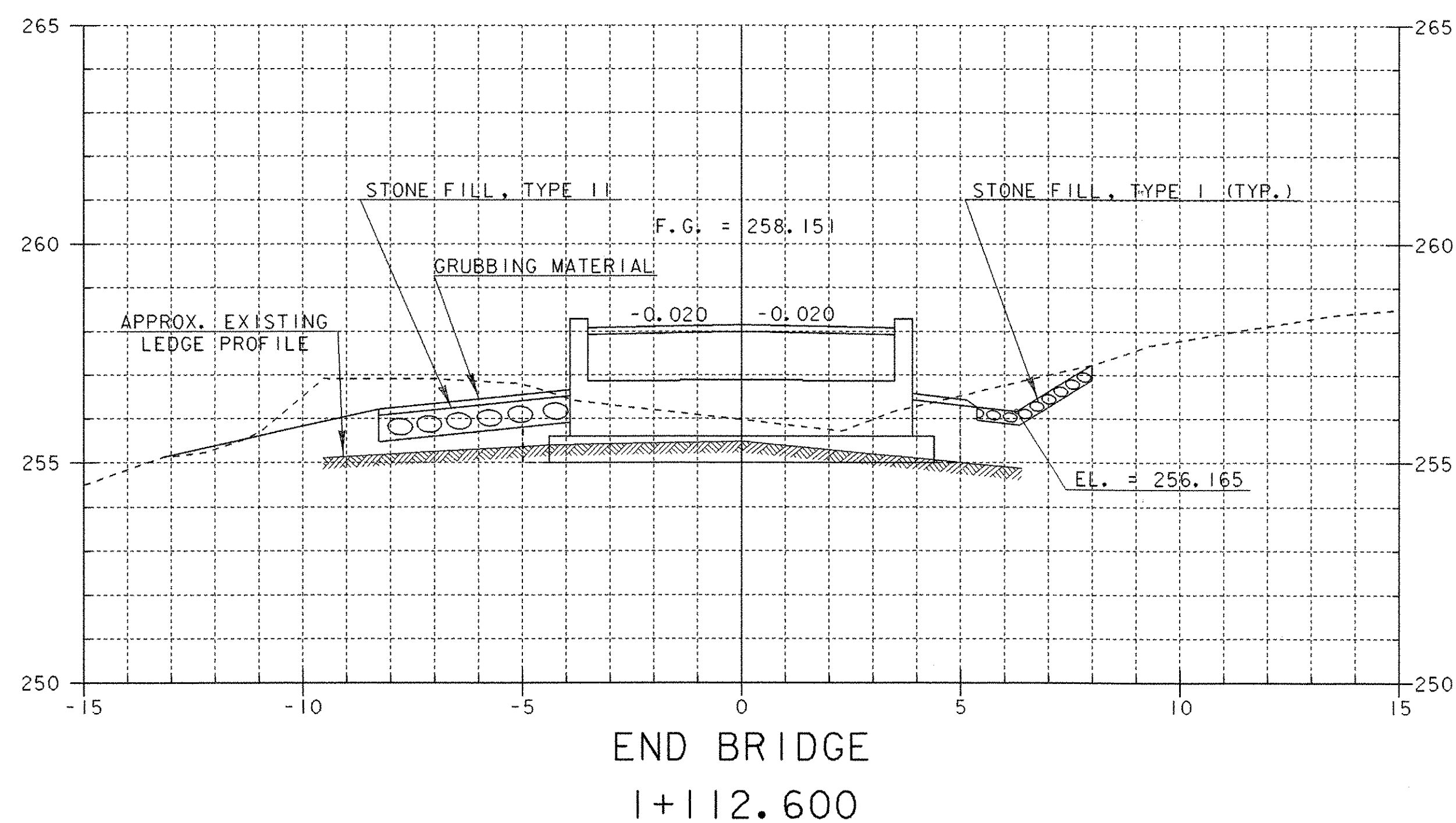
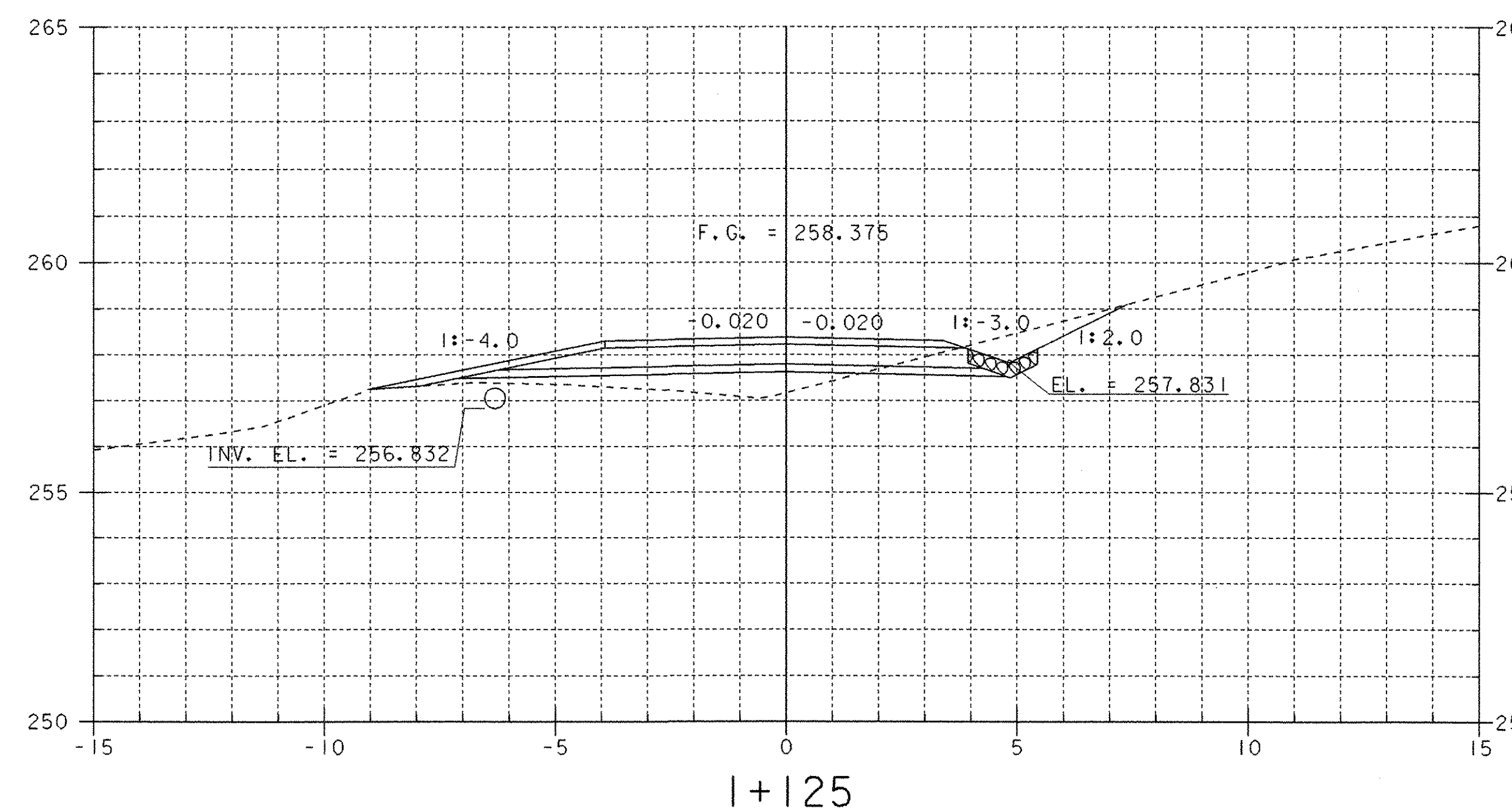
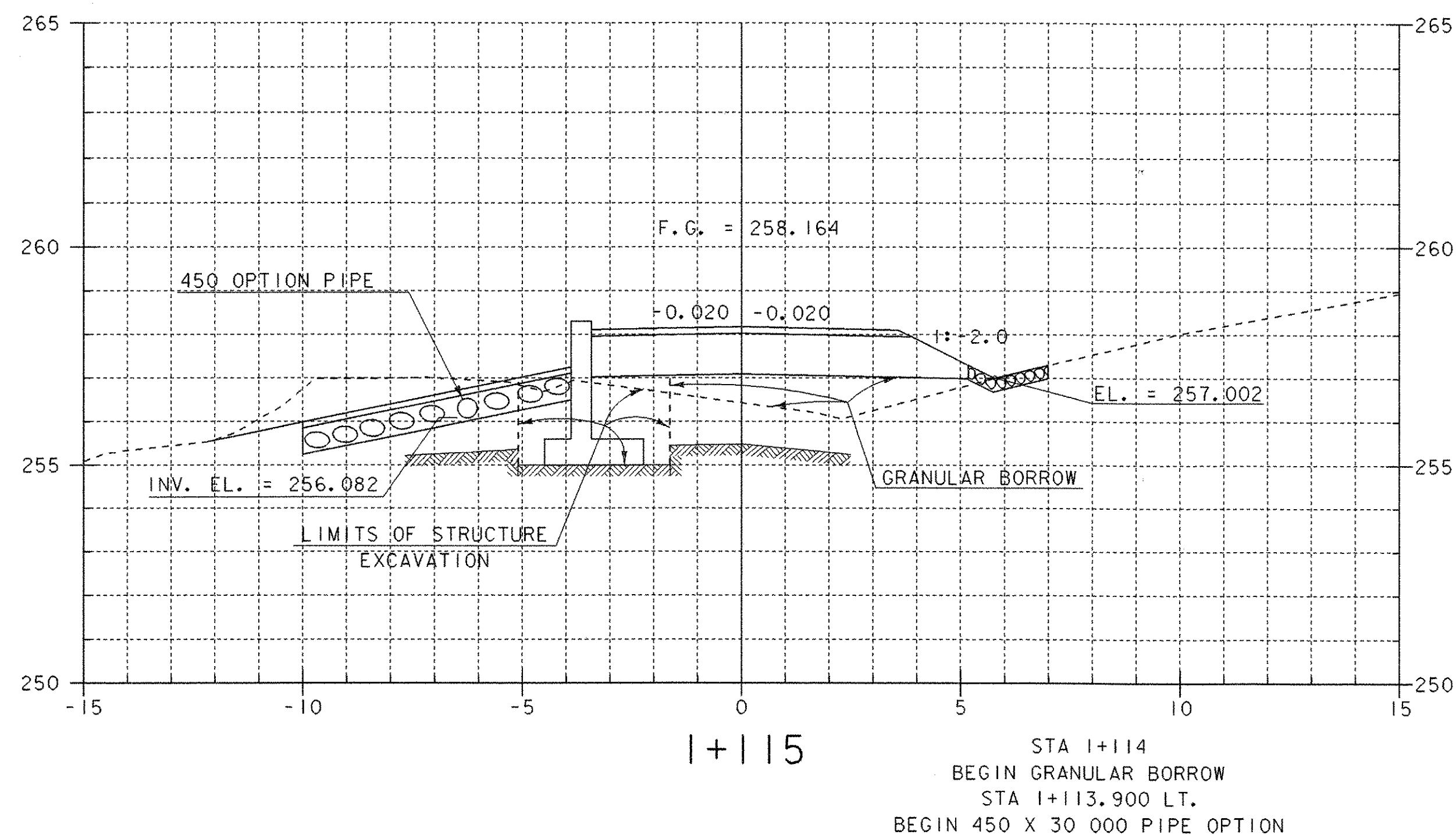


GUARD RAIL OFFSETS

NTS



SHEET NAME: MAINLINE CROSS SECTIONS		
PROJECT NAME: MONTGOMERY	HIGHWAY NO.: TH 35	
PROJECT NUMBER: BRO 1448(20)	BRIDGE NO.: 24	
	OVER: PACIFIC BROOK	
FILE NAME: /PW/94j124/sj124xsl.dgn	PLOT DATE: 06-DEC-2005	
PROJECT MANAGER: R. WHITCOMB	DRAWN BY: J. GILMORE	
DESIGNED BY: C. CARLSON	IPARM NAME: sj124mx6.1	
BRIDGE SHEET NUMBER:	SHEET 42 OF 50	