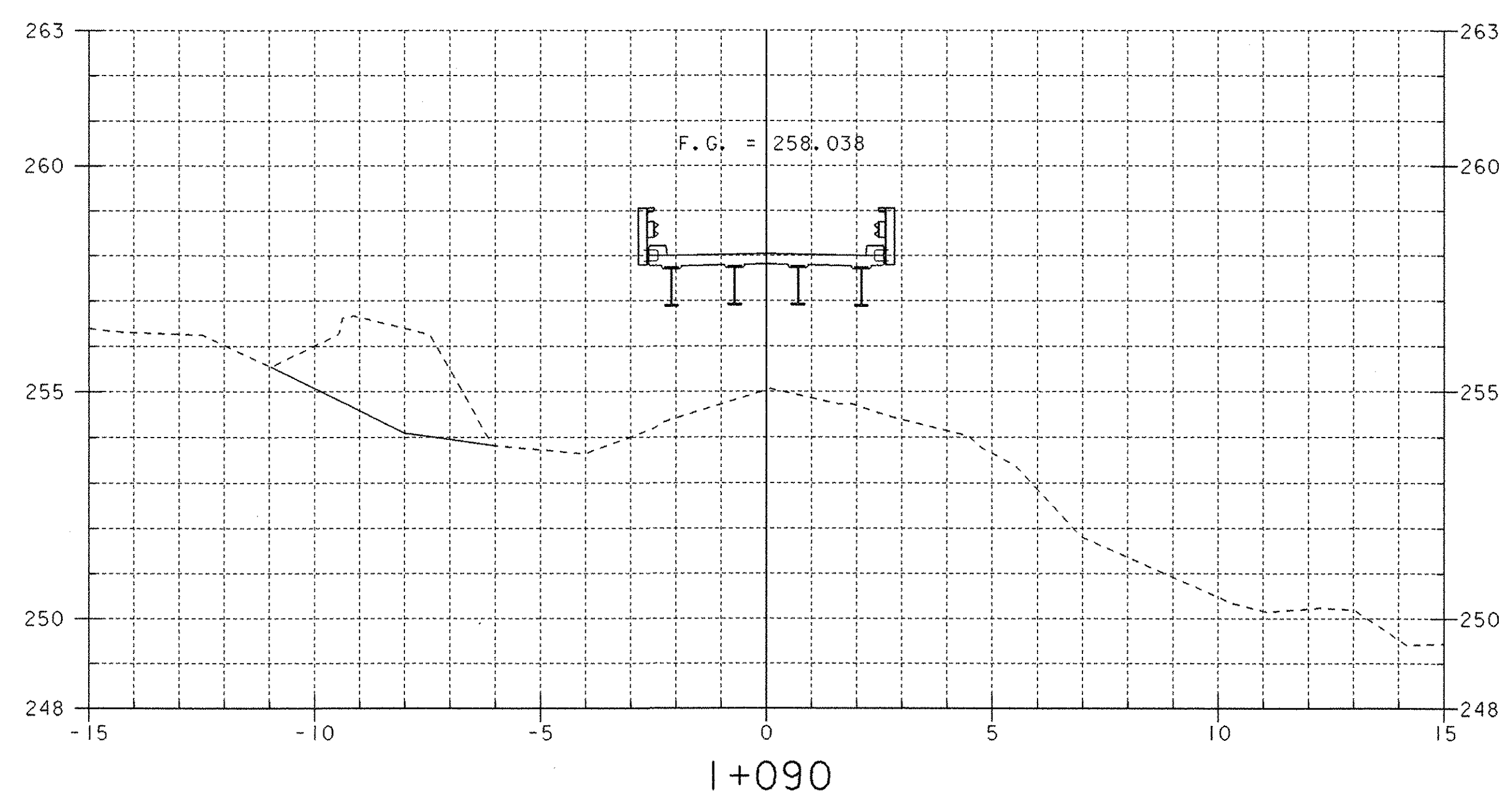
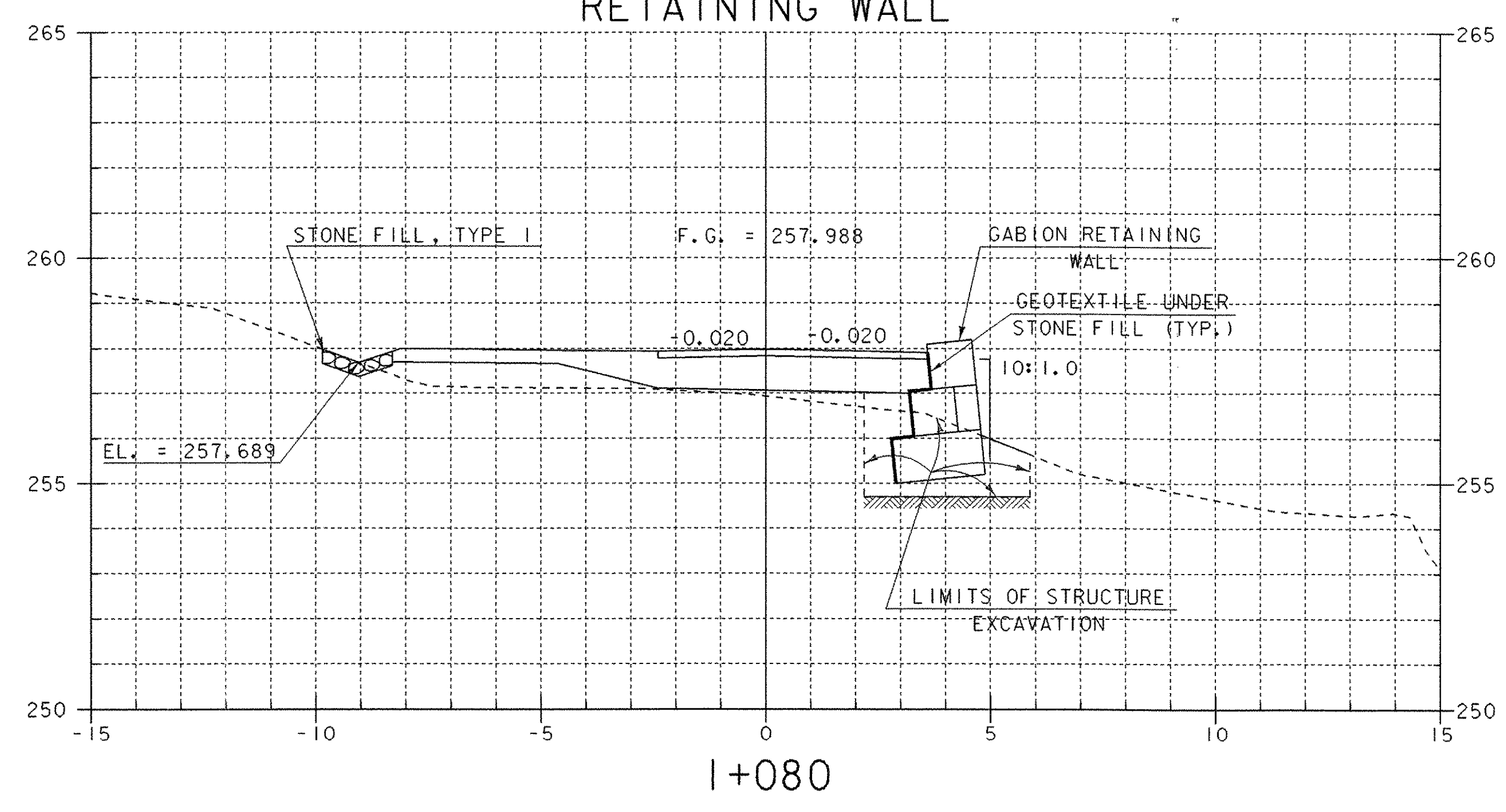


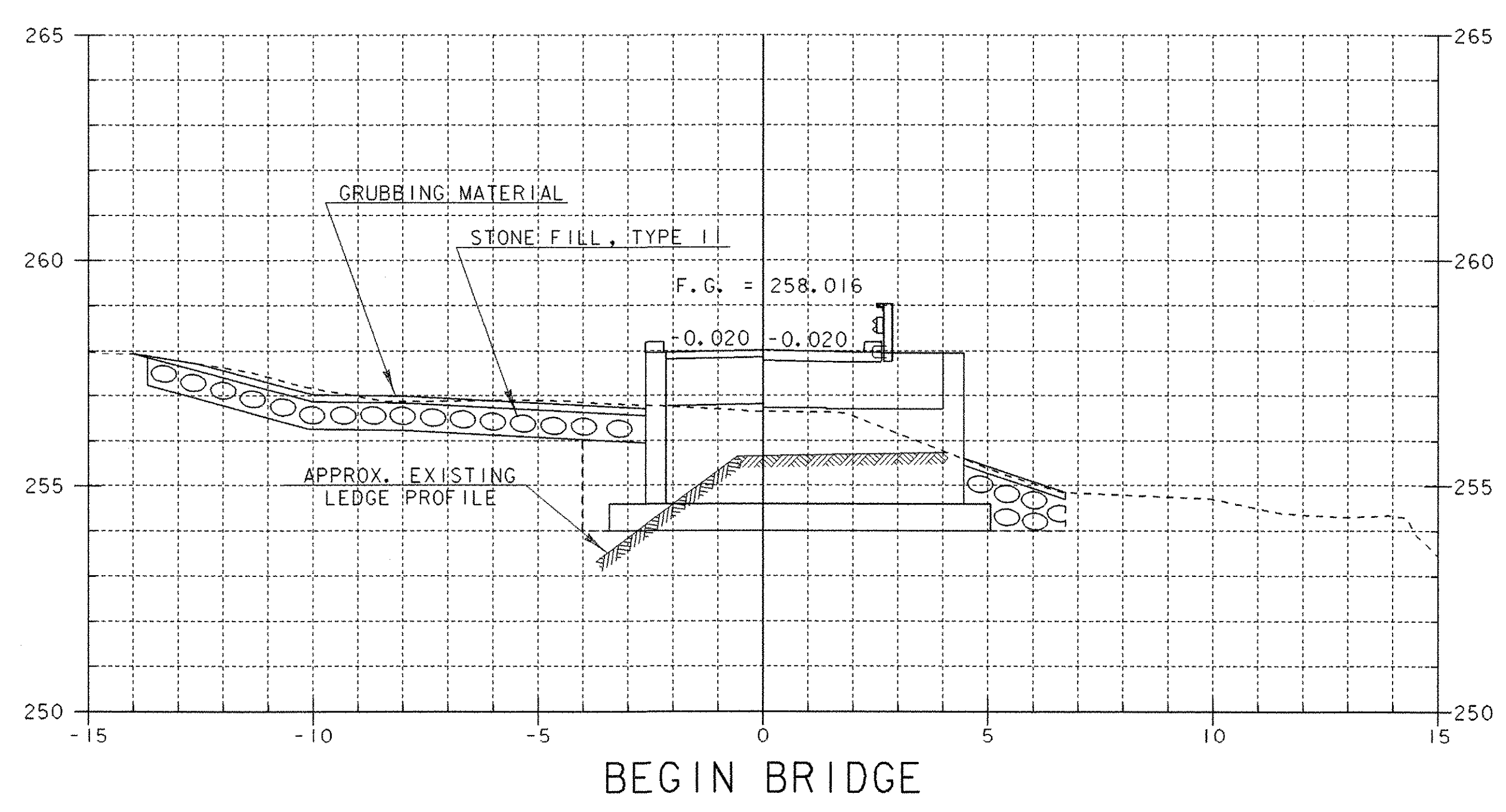
1+085
STA 1+080.800
END GABION
RETAINING WALL



1+090



1+080



BEGIN BRIDGE
1+085.500

SHEET NAME: MAINLINE CROSS SECTIONS	
PROJECT NAME: MONTGOMERY	HIGHWAY NO.: TH 35
PROJECT NUMBER: BRO 1448(20)	BRIDGE NO.: 24
	OVER: PACIFIC BROOK
FILE NAME: /PW/94JJ24/sj24xsl.dgn	PLOT DATE: 06-DEC-2005
PROJECT MANAGER: R. WHITCOMB	DRAWN BY: J. GILMORE
DESIGNED BY: C. CARLSON	IPARM NAME: sj24m4.1
BRIDGE SHEET NUMBER:	SHEET 40 OF 50