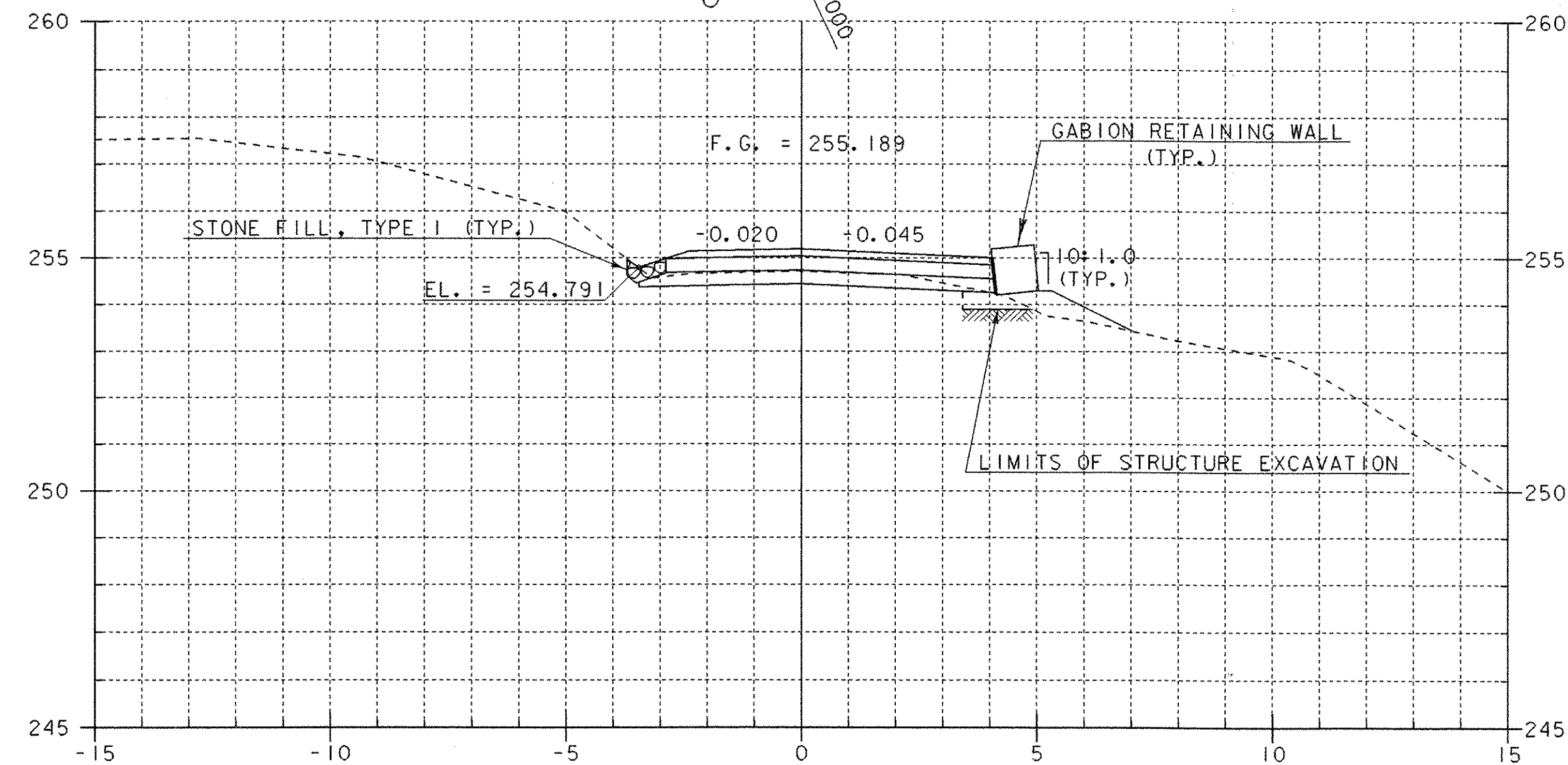
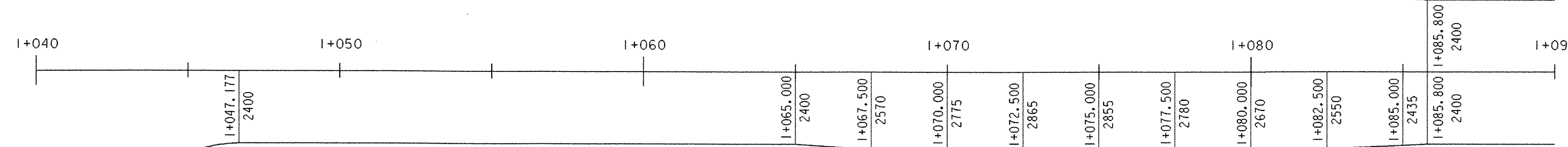
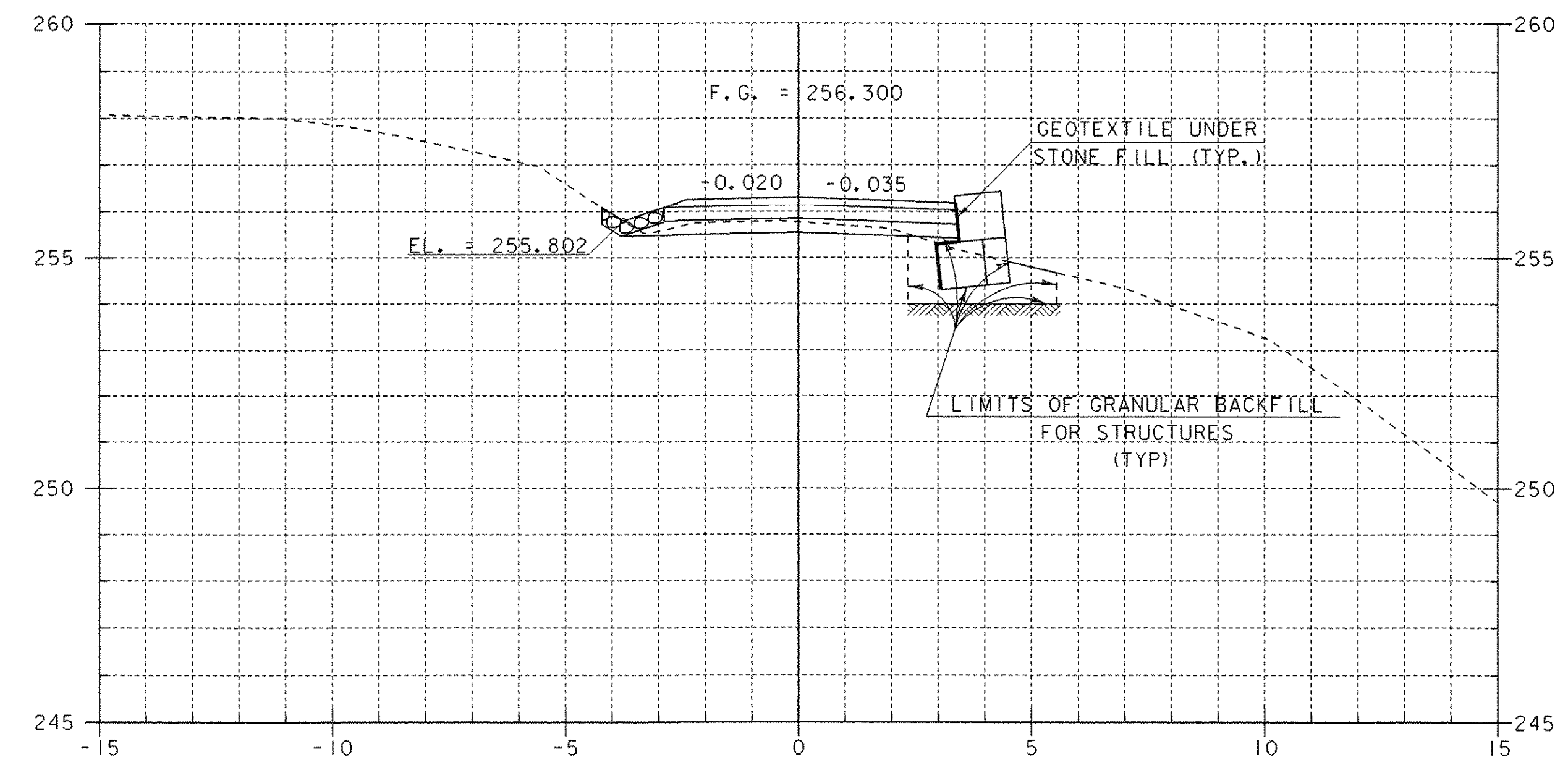


GUARD RAIL OFFSETS

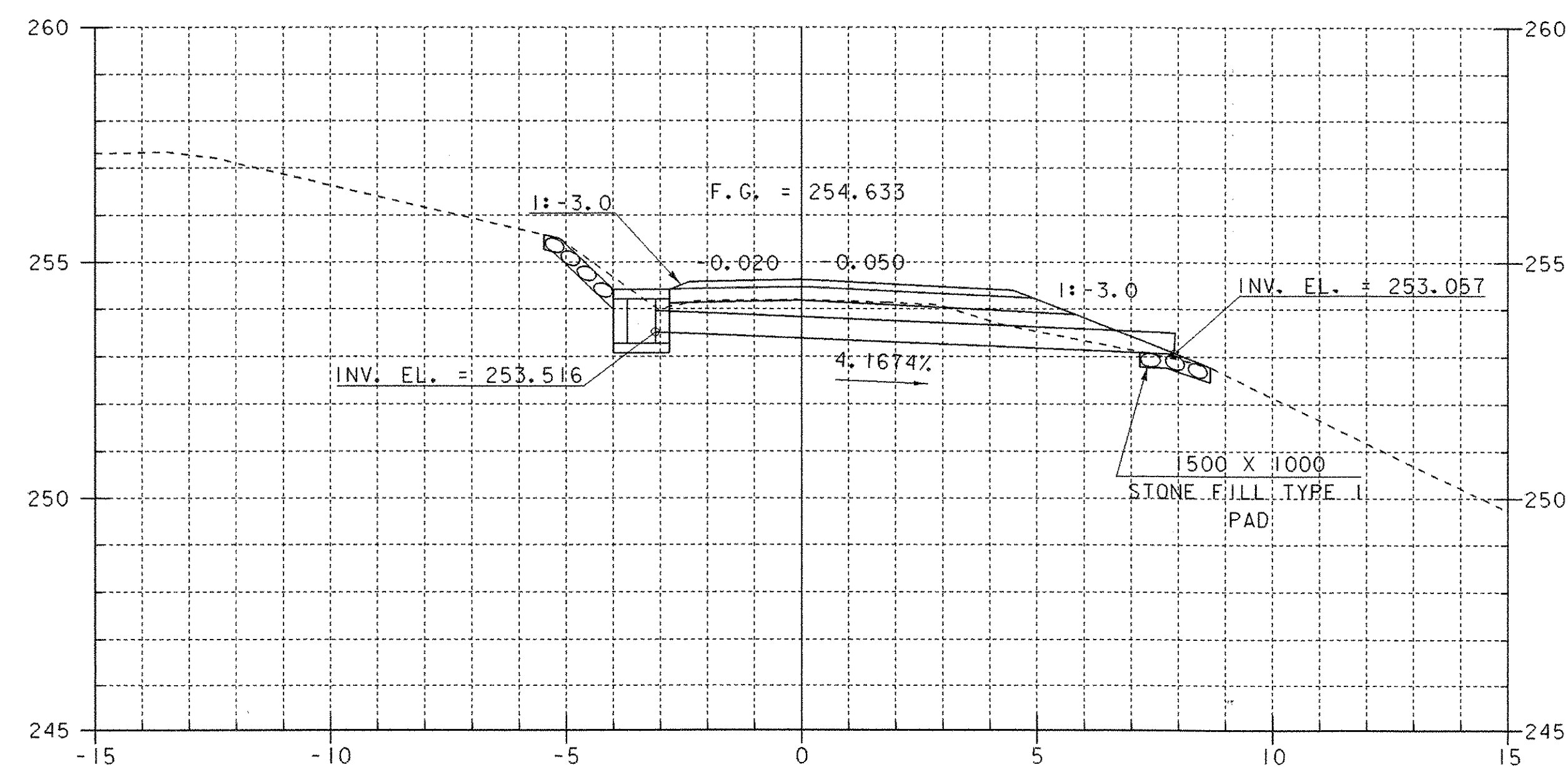
NTS



I+045
STA. I+044.800 RT
BEGIN GABION RETAINING WALL

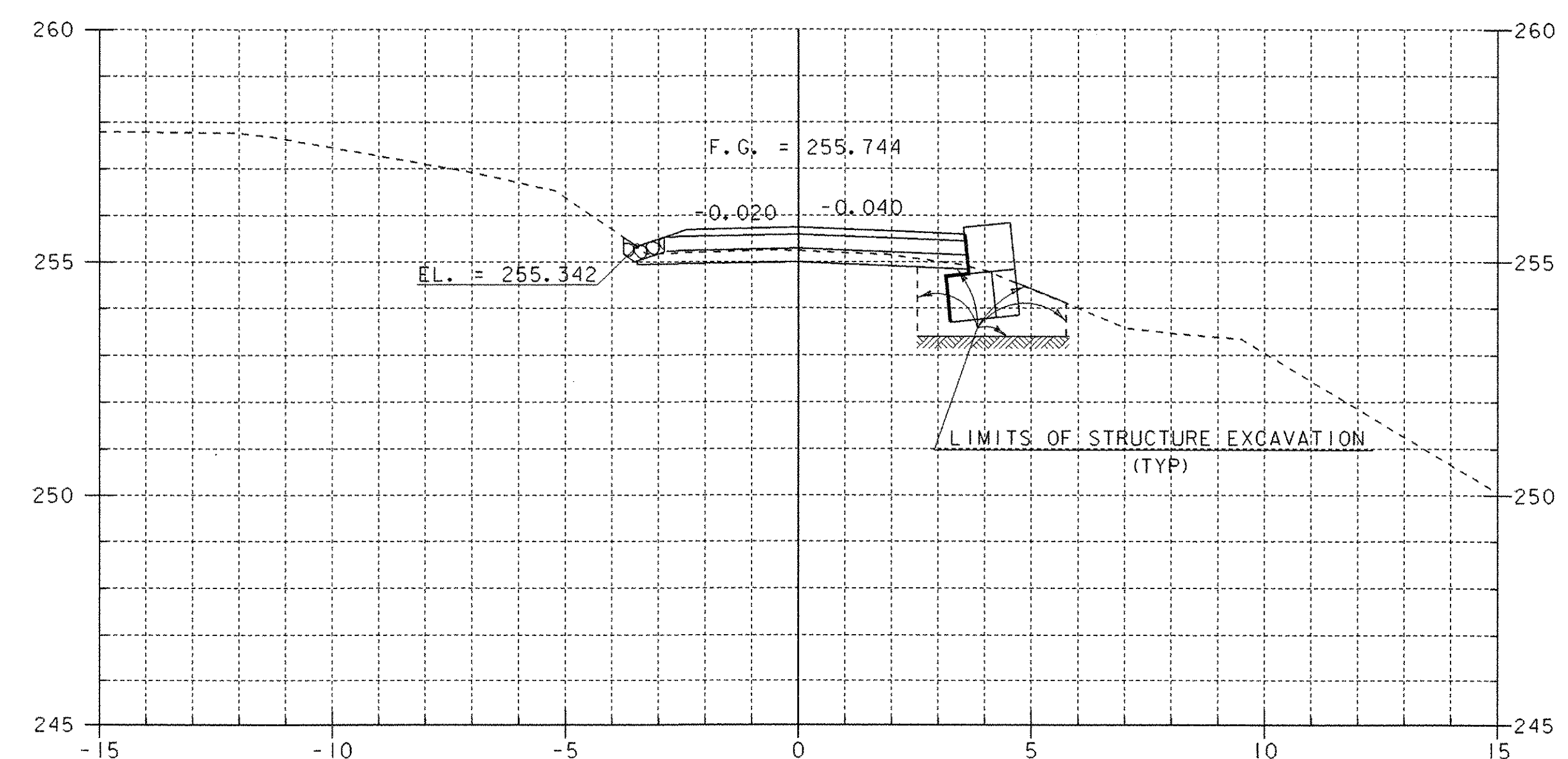


I+055



END APPROACH
BEGIN PROJECT
I+040

STA I+040 CONSTRUCT
450 X 11 000 OPTION PIPE



I+050

SHEET NAME: MAINLINE CROSS SECTIONS	
PROJECT NAME: MONTGOMERY	HIGHWAY NO.: TH 35
PROJECT NUMBER: BRO 1448(20)	BRIDGE NO.: 24
	OVER: PACIFIC BROOK
FILE NAME: /PW/94J124/sj124xsl.dgn	PLOT DATE: 06-DEC-2005
PROJECT MANAGER: R. WHITCOMB	DRAWN BY: J. GILMORE
DESIGNED BY: C. CARLSON	IPARM NAME: sj124m2.1
BRIDGE SHEET NUMBER:	SHEET 38 OF 50