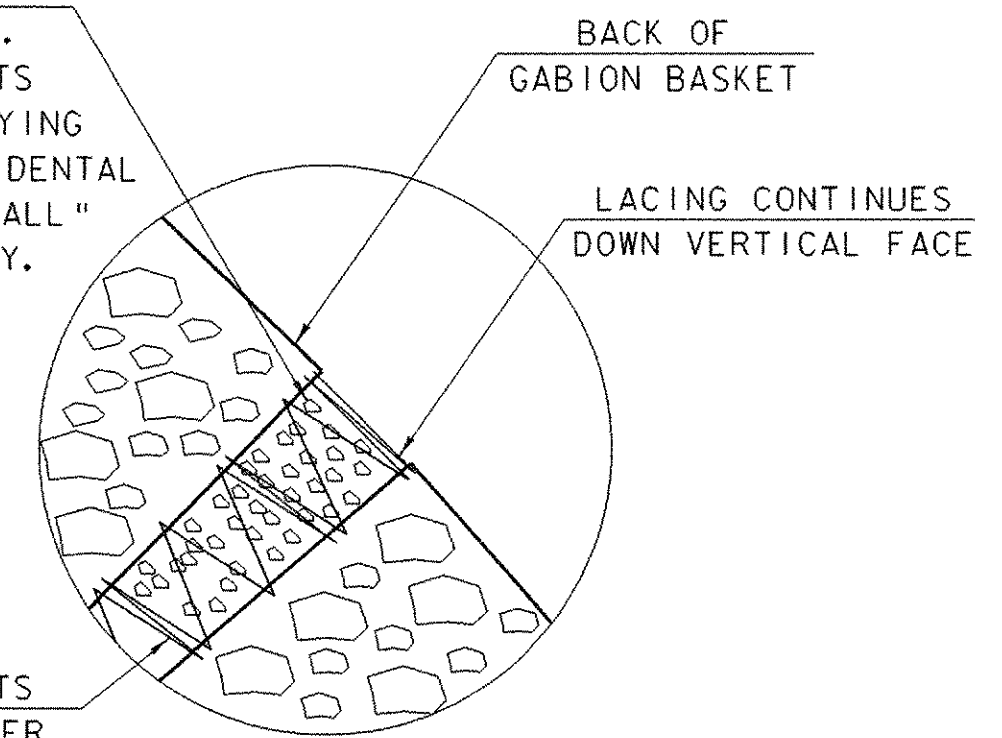


PLAN VIEW TOP OF GABION WALL
SCALE: 1:10

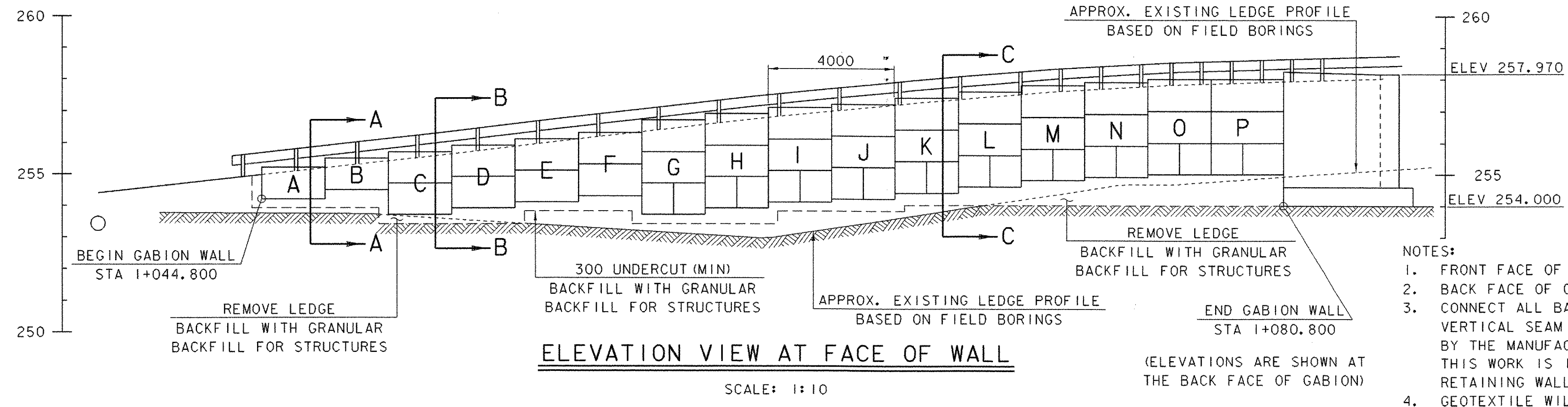
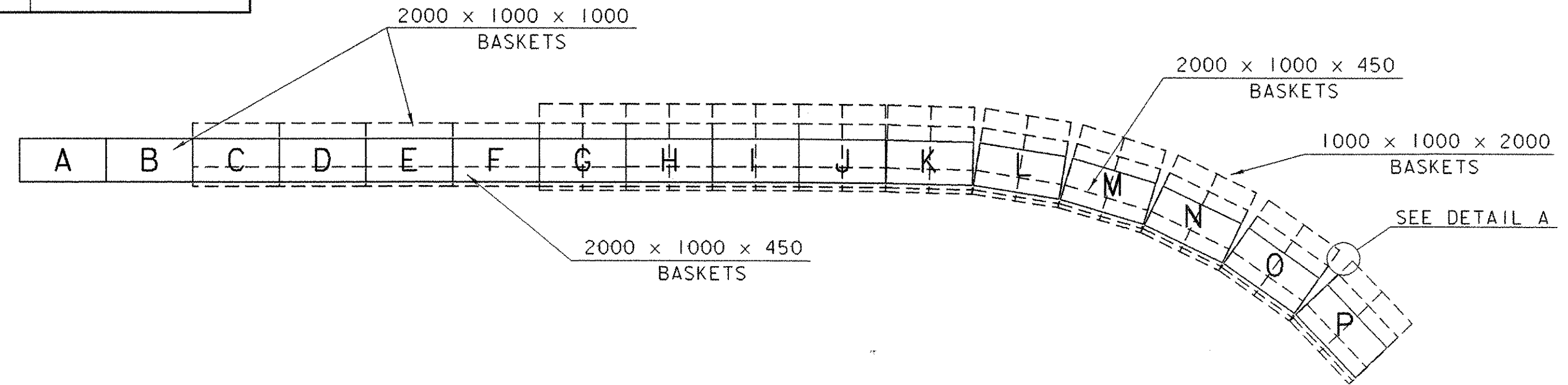
STATION	DISTANCE FROM MAINLINE TO	
	FACE OF GUARDRAIL	REFERENCE POINT
1+044.800	3250	4150
1+045.000	3110	4125
1+047.500	2400	3820
1+050.000	2400	3250
1+052.500	2400	3110
1+055.000	2400	3050
1+057.500	2400	2600
1+060.000	2400	2600
1+062.500	2400	2600
1+065.000	2400	2620
1+067.500	2570	2800
1+070.000	2775	3000
1+072.500	2865	3080
1+075.000	2855	3045
1+077.500	2780	3000
1+080.000	2670	2890
1+080.800	2620	2780

GABION WALL	
MARK	ELEVATION AT REFERENCE POINT
A	254.200
B	254.500
C	253.700
D	253.900
E	254.100
F	254.300
G	253.700
H	253.900
I	254.100
J	254.200
K	254.400
L	254.600
M	254.800
N	254.900
O	255.000
P	255.000

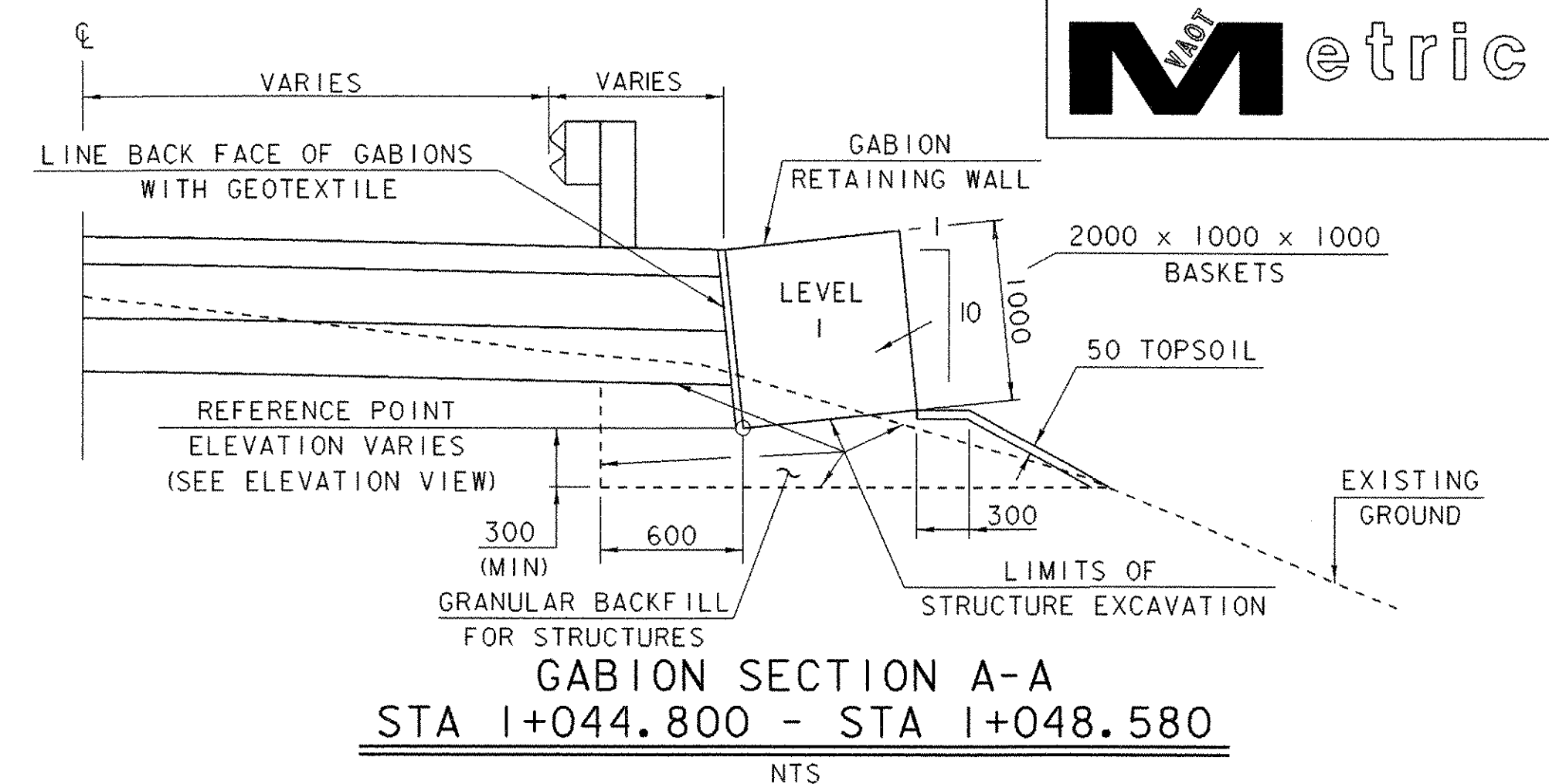
BACKFILL BETWEEN GABIONS WHERE NECESSARY WITH 3/4" WASHED STONE. THIS SHOULD BE DONE AFTER BASKETS HAVE BEEN TIED AND FILLED. SUPPLYING AND PLACING 3/4" STONE SHALL BE INCIDENTAL TO ITEM 612.10 "GABION RETAINING WALL" AND WILL NOT BE PAID SEPARATELY.



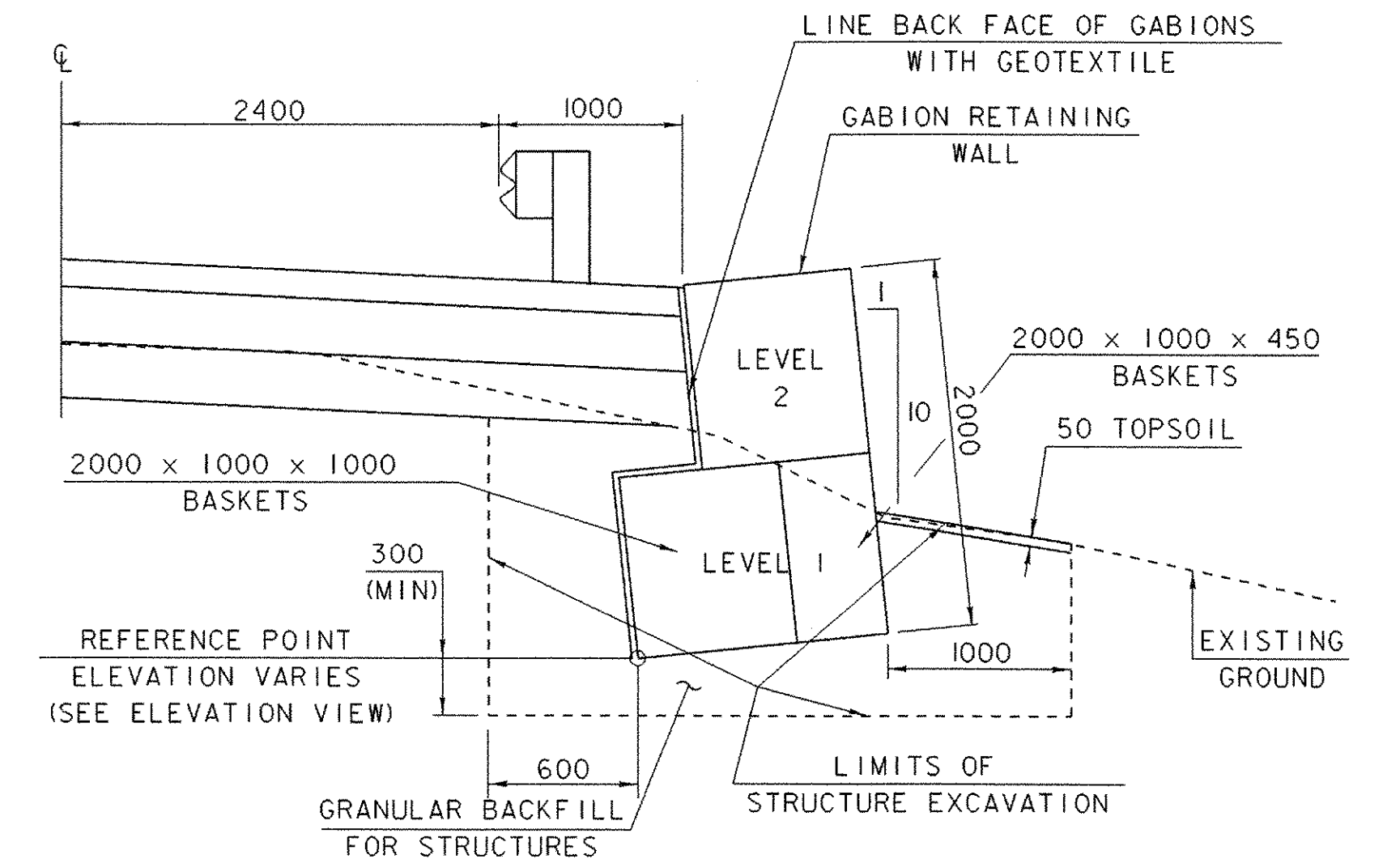
DETAIL A
NTS



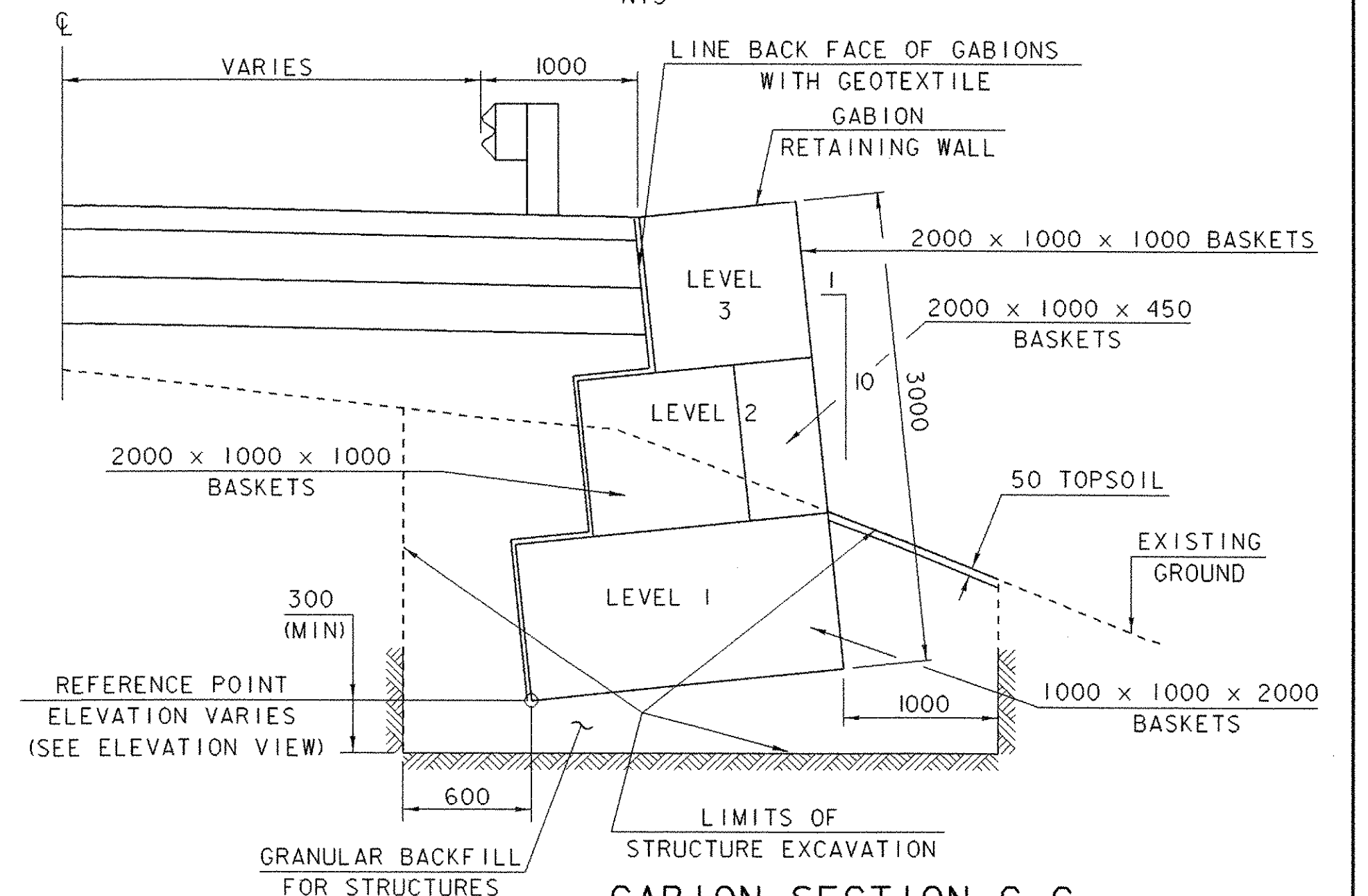
ELEVATION VIEW AT FACE OF WALL
SCALE: 1:10



GABION SECTION A-A
STA 1+044.800 - STA 1+048.580
NTS



GABION SECTION B-B
STA 1+048.580 - STA 1+056.279
NTS



GABION SECTION C-C
STA 1+056.279 - STA 1+080.800
NTS

- NOTES:
1. FRONT FACE OF GABION IS EXPOSED FACE.
 2. BACK FACE OF GABION IS BURIED.
 3. CONNECT ALL BASKETS AT EACH HORIZONTAL AND VERTICAL SEAM OR JOINT WITH WIRE LACING SUPPLIED BY THE MANUFACTURER AT THE RECOMMENDED SPACING. THIS WORK IS INCIDENTAL TO ITEM 612.10, "GABION RETAINING WALL".
 4. GEOTEXTILE WILL BE PAID FOR UNDER ITEM 649.31, "GEOTEXTILE UNDER STONE FILL".

SHEET NAME: GABION WALL DETAILS		
PROJECT NAME: MONTGOMERY	HIGHWAY NO.: TH 35	
PROJECT NUMBER: BRO 1448(20)	BRIDGE NO.: 24	OVER: PACIFIC BROOK
FILE NAME: /PW/94j124/sj124gab.dgn	PLOT DATE: 12-DEC-2005	
PROJECT MANAGER: R. WHITCOMB	DRAWN BY: T. HUSK	
DESIGNED BY: C. CARLSON	IPARM NAME: sj124grw.1	
BRIDGE SHEET NUMBER:	SHEET 25 OF 50	