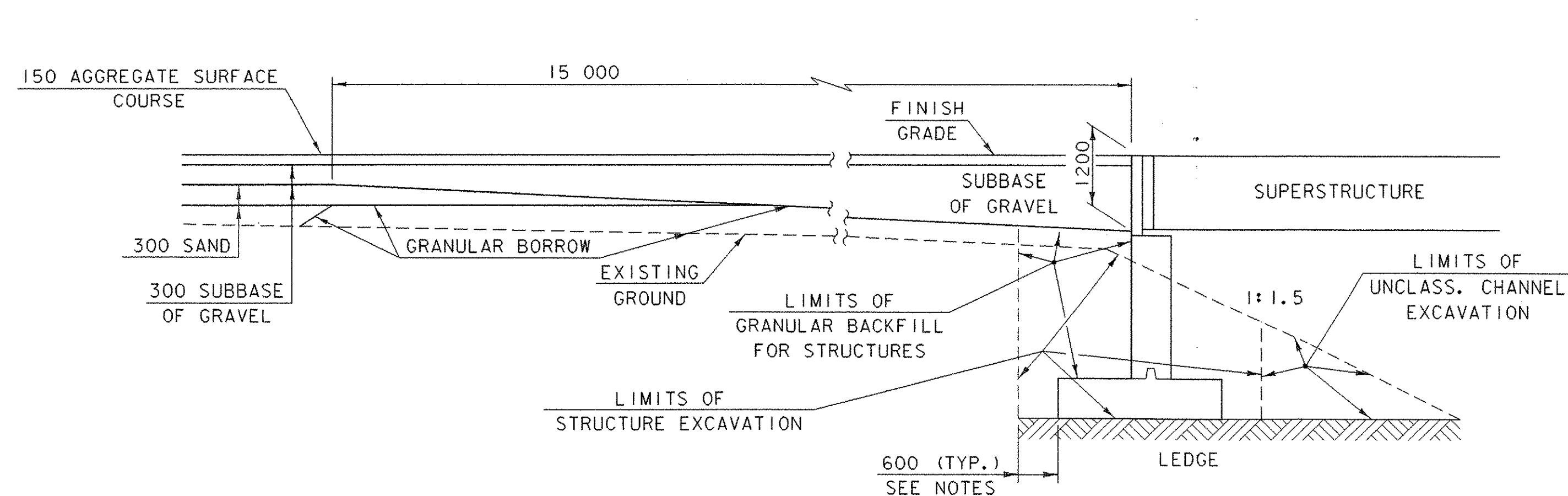


**ROADWAY TYPICAL SECTION**

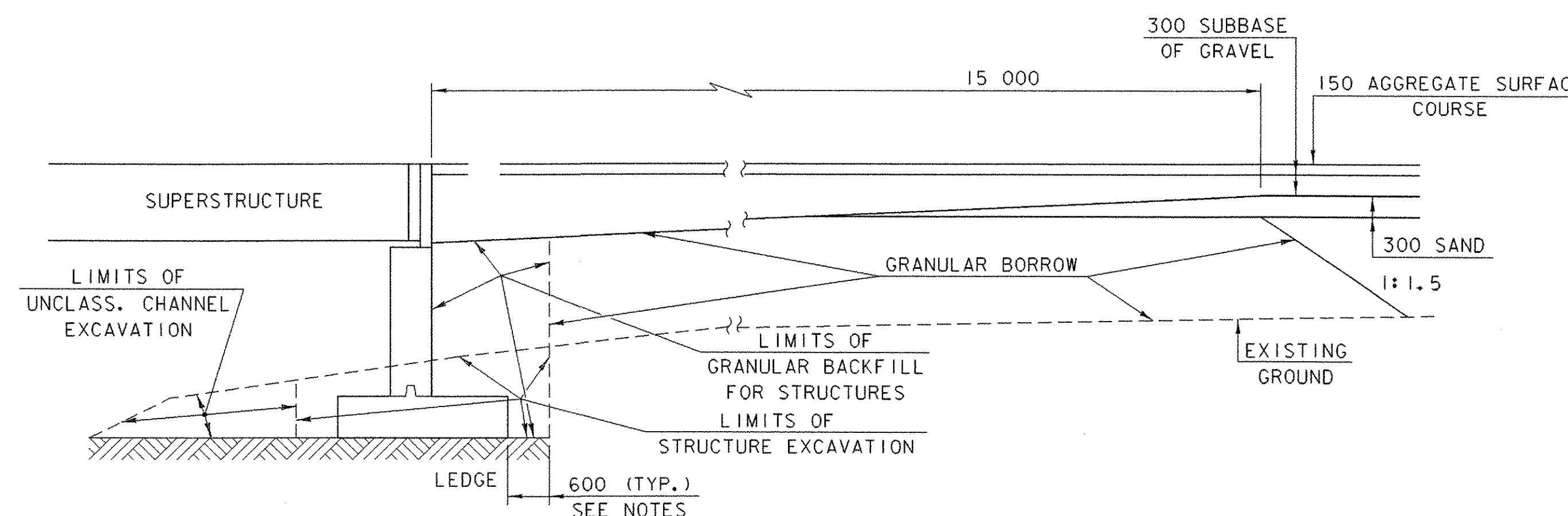
SCALE: 1 : 25

**SCORE MARK DETAIL**



**TYPICAL ABUTMENT #1 SECTION**

(NOT TO SCALE)

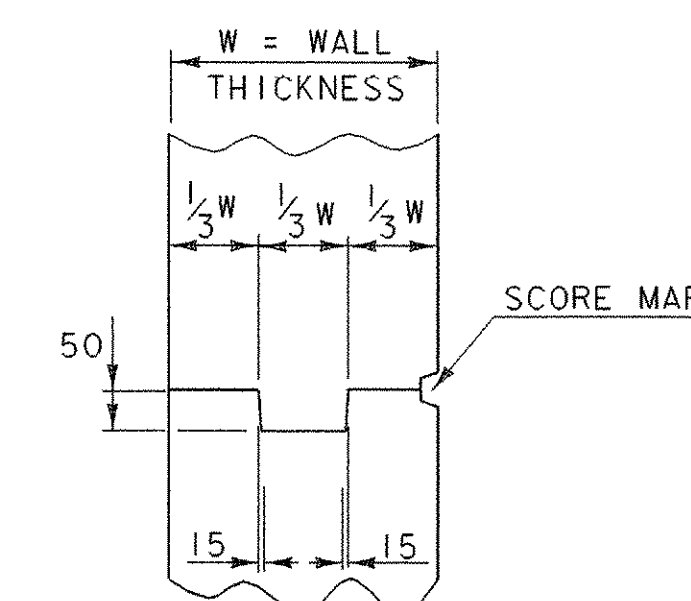


**TYPICAL ABUTMENT #2 SECTION**

(NOT TO SCALE)

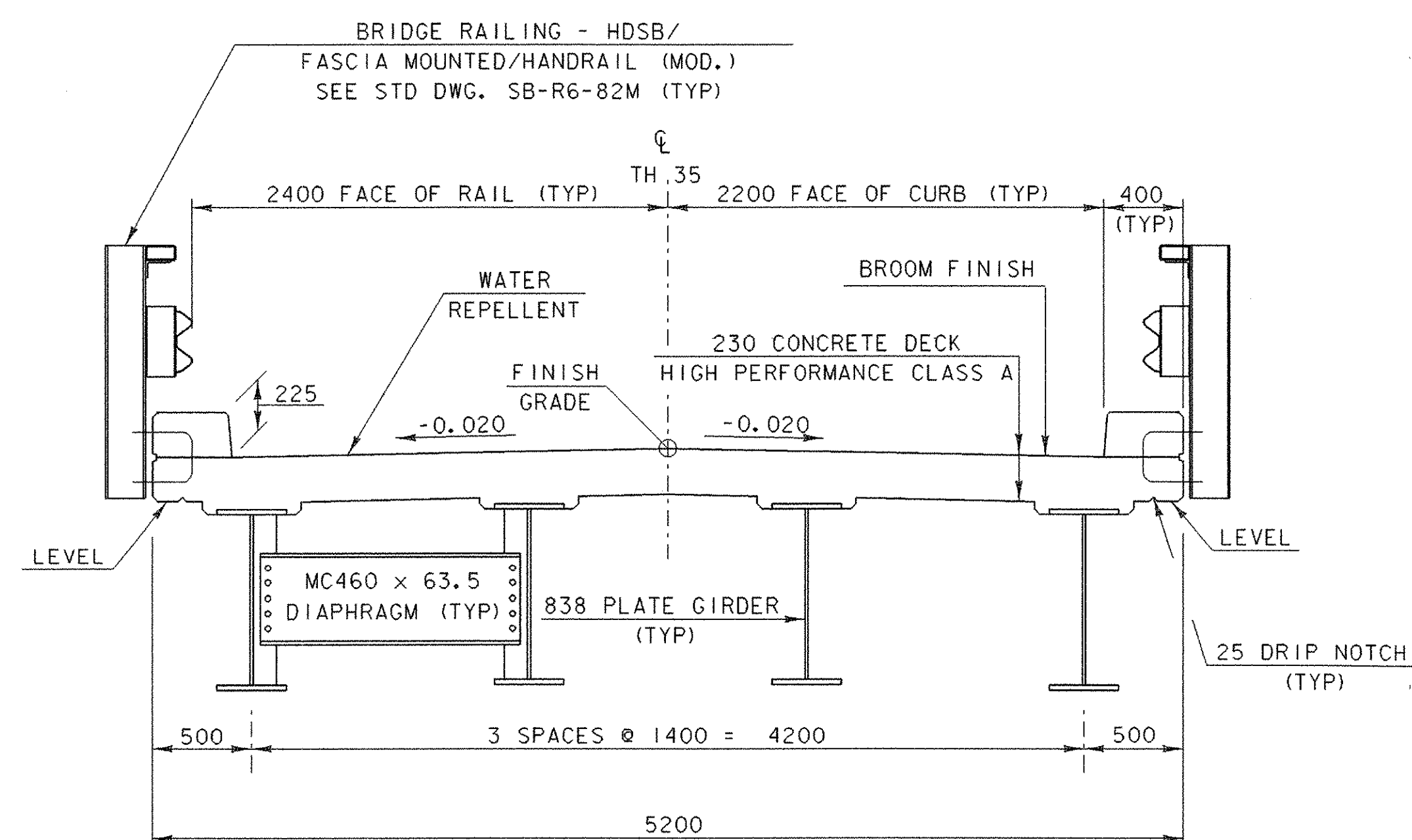
**NOTES**

- FOR PURPOSES OF ESTIMATING EARTHWORK QUANTITIES, THE LIMITS OF STRUCTURE EXCAVATION HAVE BEEN ASSUMED TO BE 600mm OUTSIDE THE PERIMETER OF THE FOOTING.



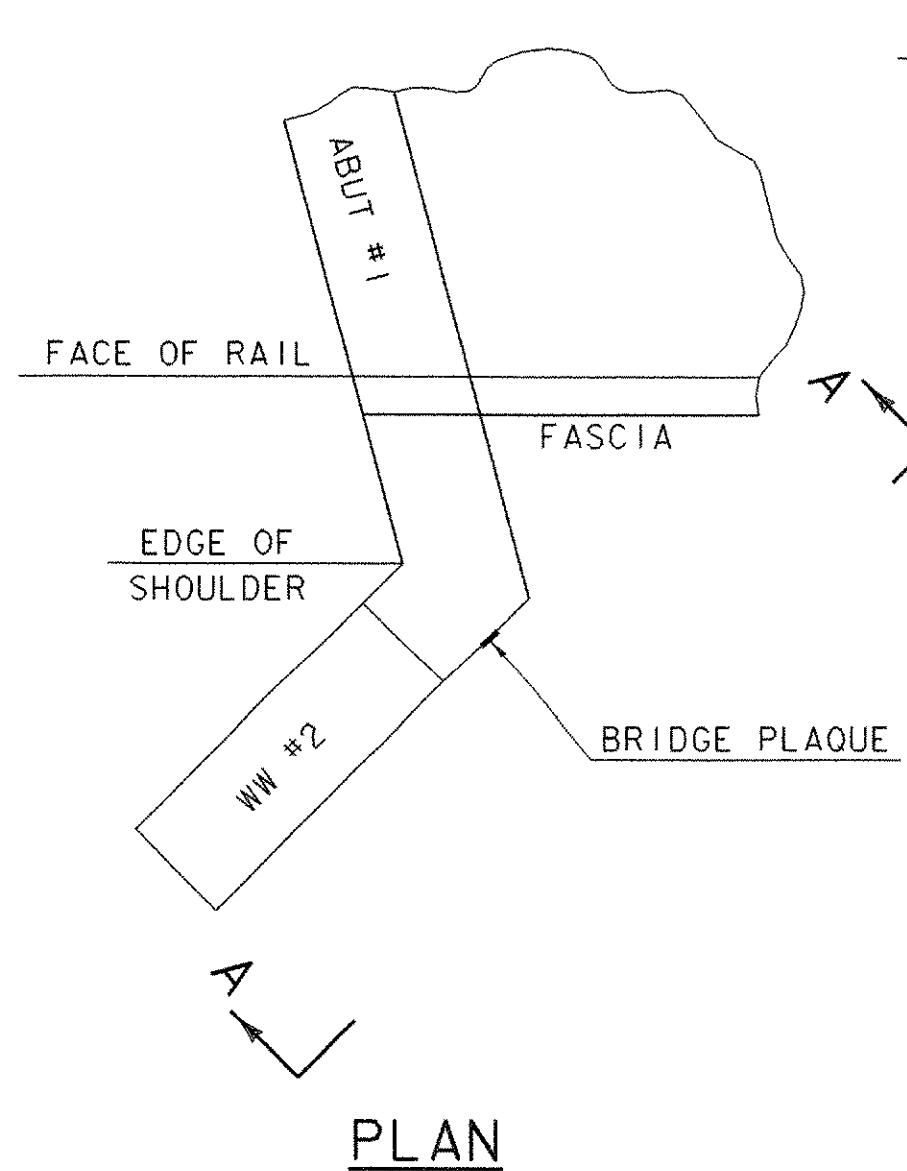
**TYPICAL CONCRETE CONSTRUCTION JOINT**

(FOR CONSTRUCTION JOINTS LOCATED IN ABUTMENT NO. 1 & ABUTMENT NO. 2)

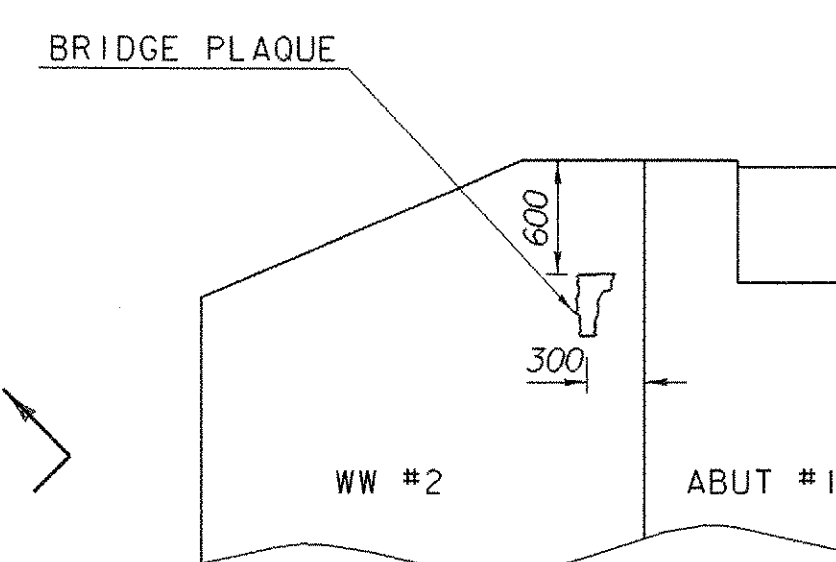


**PLATE GIRDER TYPICAL SECTION**

SCALE: 1 : 25



**PLAN**



**VIEW "A-A"**

**LOCATE BRIDGE PLAQUE**

THE BRIDGE PLAQUE WILL BE SUPPLIED BY THE AGENCY OF TRANSPORTATION AND SHALL BE INSTALLED BY THE CONTRACTOR AT ABUTMENT #1 ON THE RIGHT SIDE AS SHOWN OR AS DIRECTED BY THE ENGINEER.

SHEET NAME: TYPICAL SECTIONS	
PROJECT NAME: MONTGOMERY	HIGHWAY NO.: TH 35
PROJECT NUMBER: BRO 1448(20)	BRIDGE NO.: 24
	OVER: PACIFIC BROOK
FILE NAME: /PW/94j124/sj124p1.dgn	PLOT DATE: 06-DEC-2005
PROJECT MANAGER: R. WHITCOMB	DRAWN BY: T. FILLBACH
DESIGNED BY: C. CARLSON	IPARM NAME: sj124p1.i
BRIDGE SHEET NUMBER:	SHEET 3 OF 50