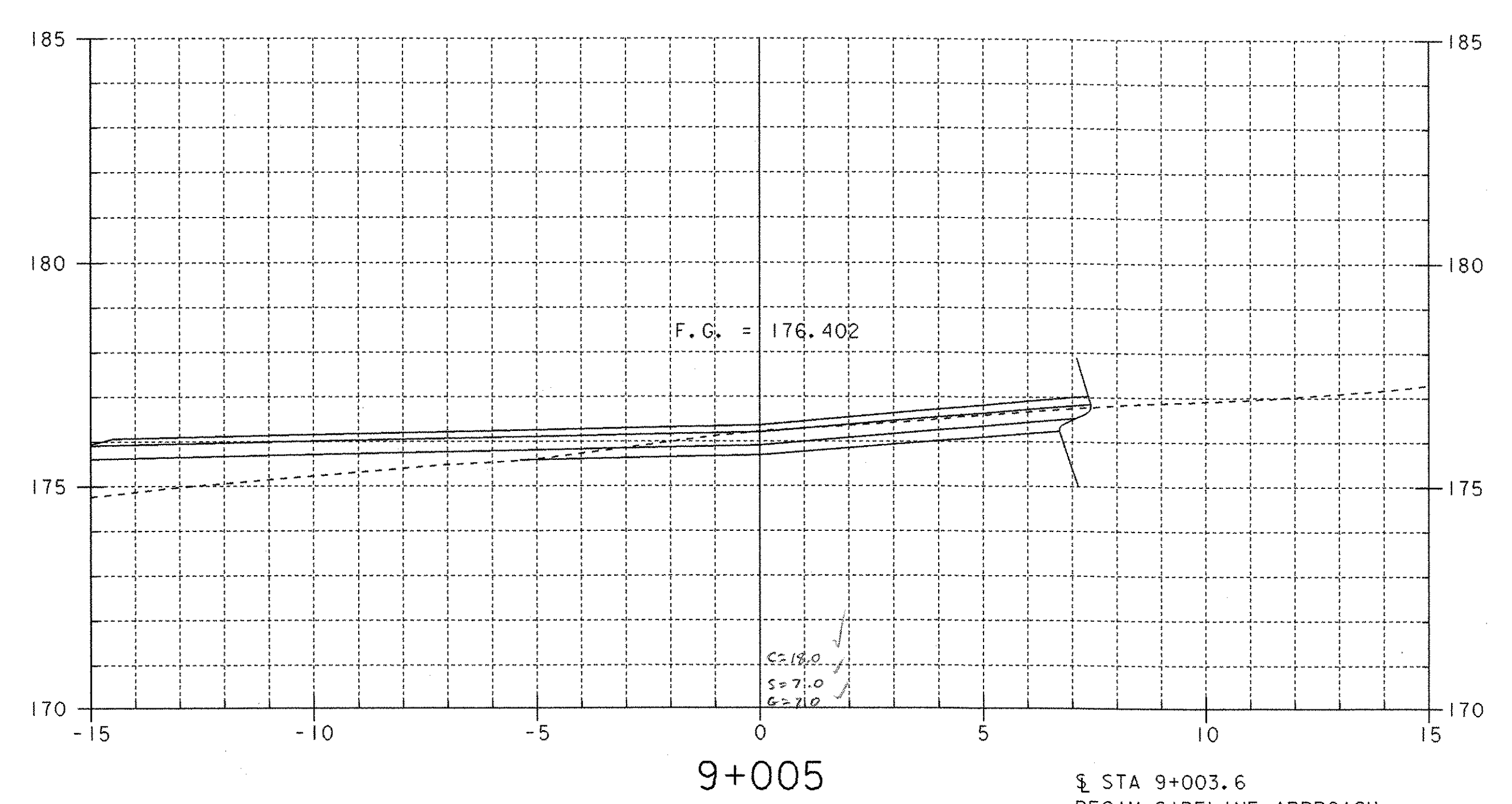
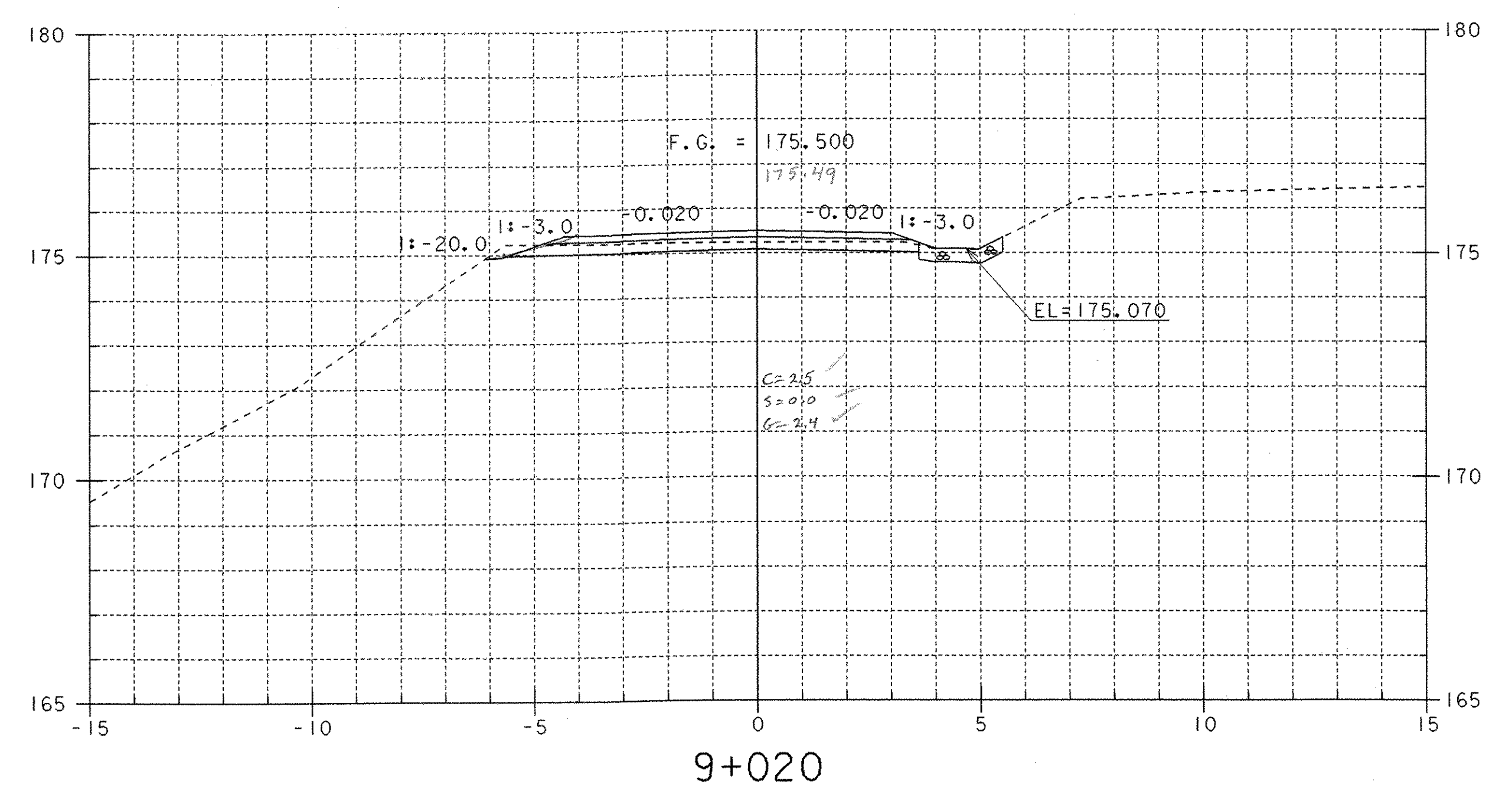
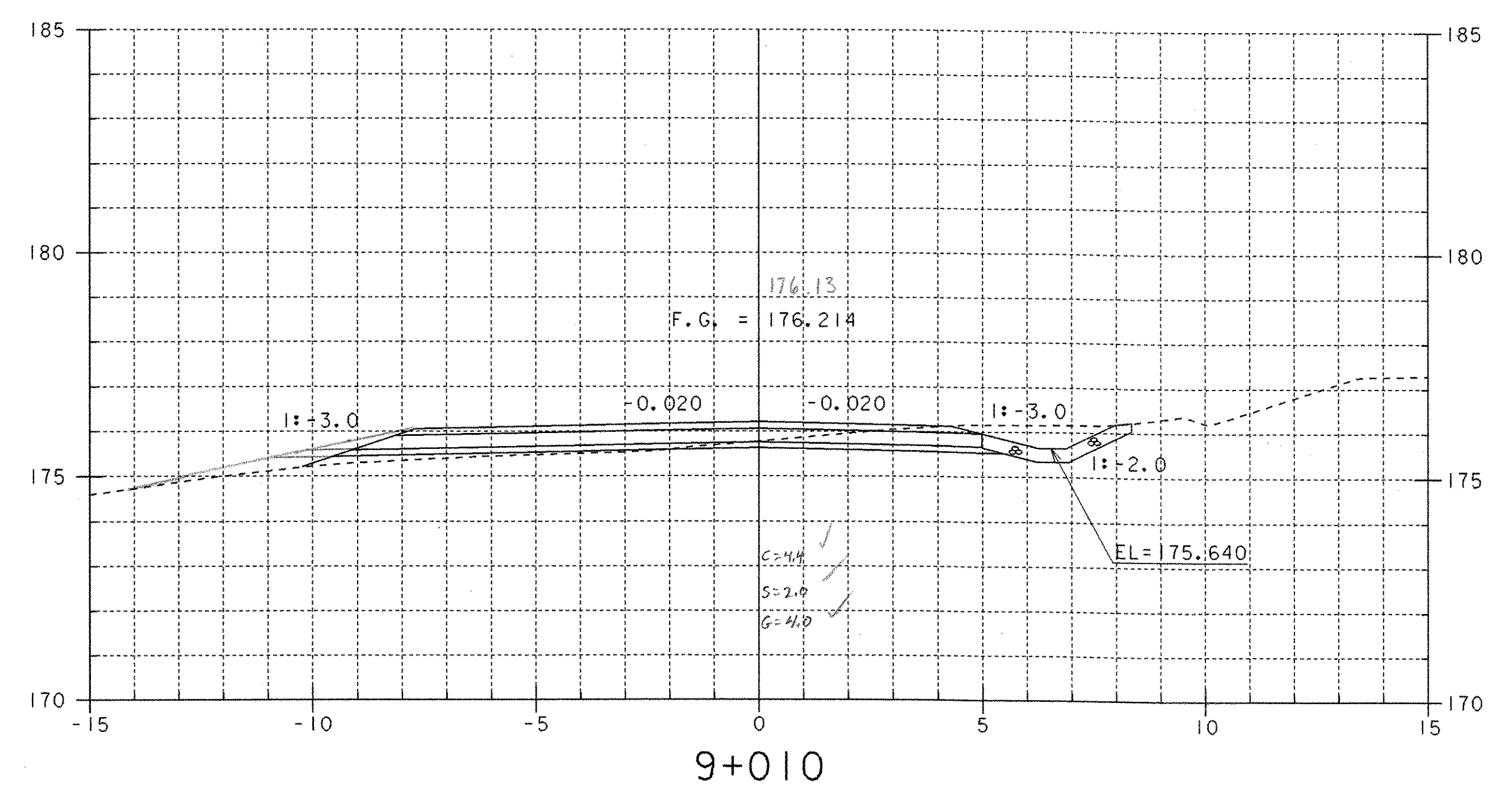
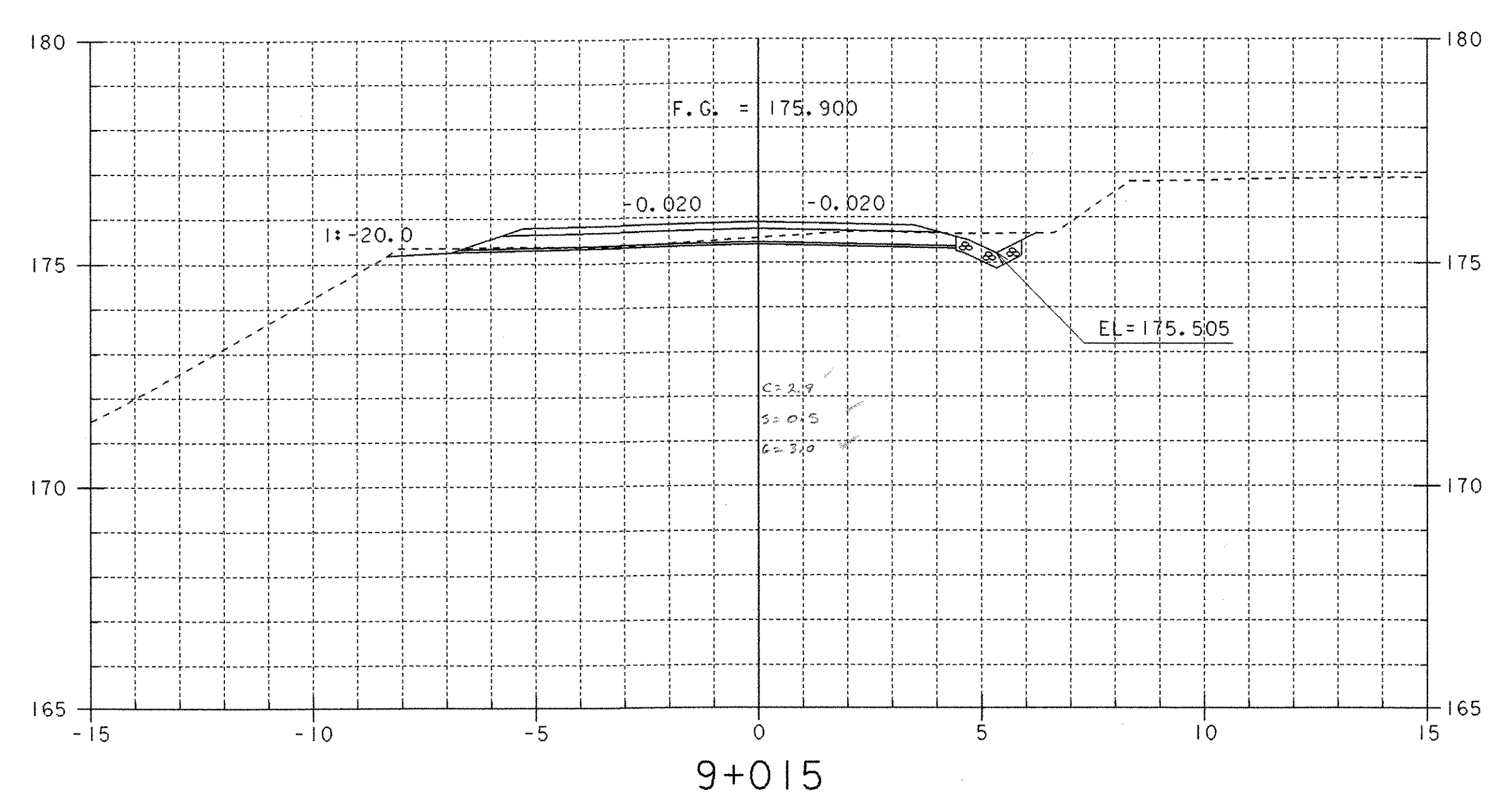


MATERIAL TRANSITION DETAIL



§ STA 9+003.6
 BEGIN SIDELINE APPROACH
 § STA 9+004.6
 BEGIN DITCH



SHEET NAME: SIDELINE CROSS SECTIONS	
PROJECT NAME: WESTFORD	HIGHWAY NO.: TH 4
PROJECT NUMBER: TH2 9436	BRIDGE NO.: 2
	OVER: ROGERS BROOK
FILE NAME: /PW/94J122/sj122xs2.dgn	PLOT DATE: 25-MAR-2005
PROJECT MANAGER: R. R. WHITCOMB	DRAWN BY: STR1
DESIGNED BY: C. CARLSON	IPARM NAME: sj122sxl1
BRIDGE SHEET NUMBER:	SHEET 52 OF 56