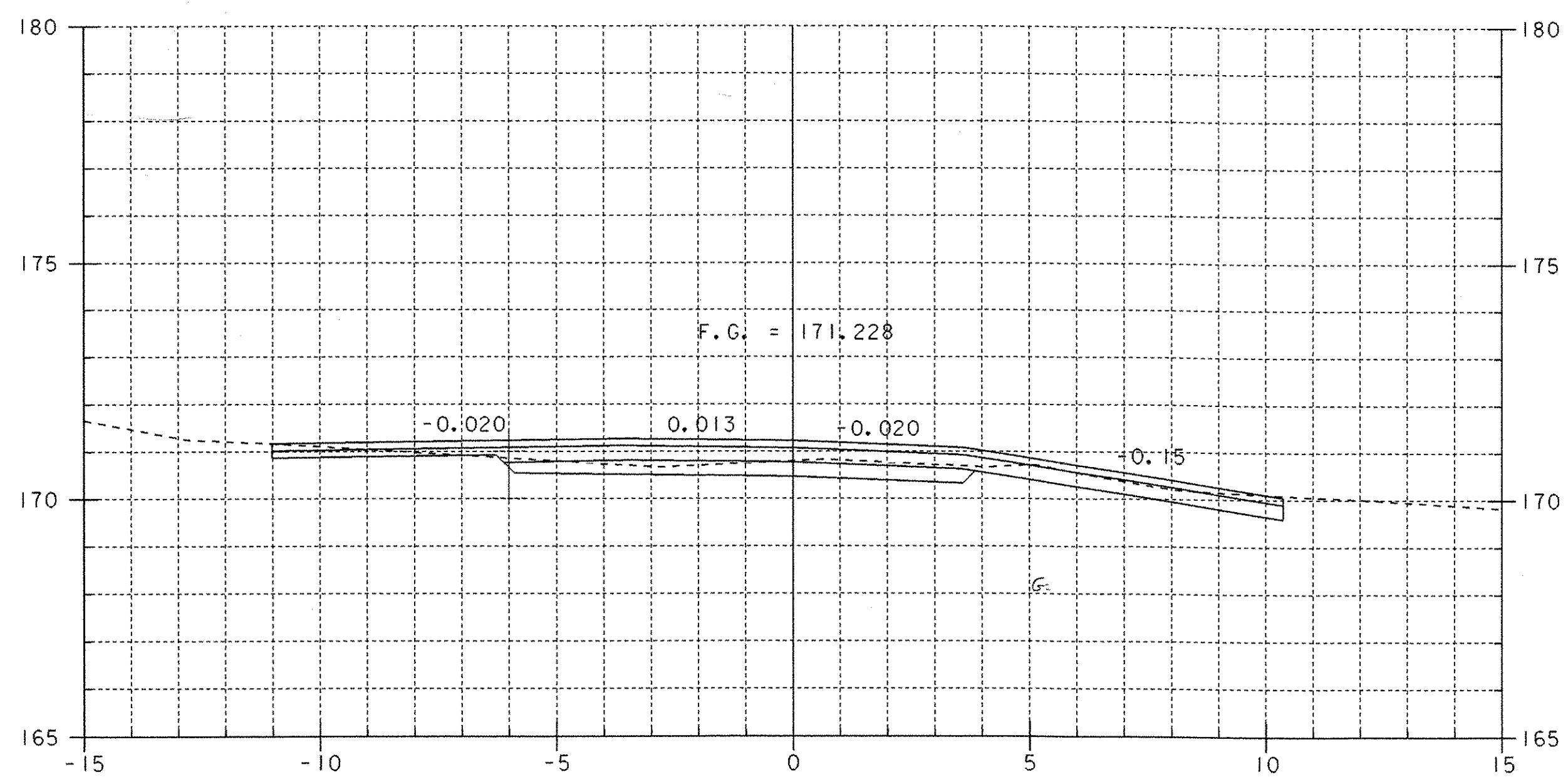
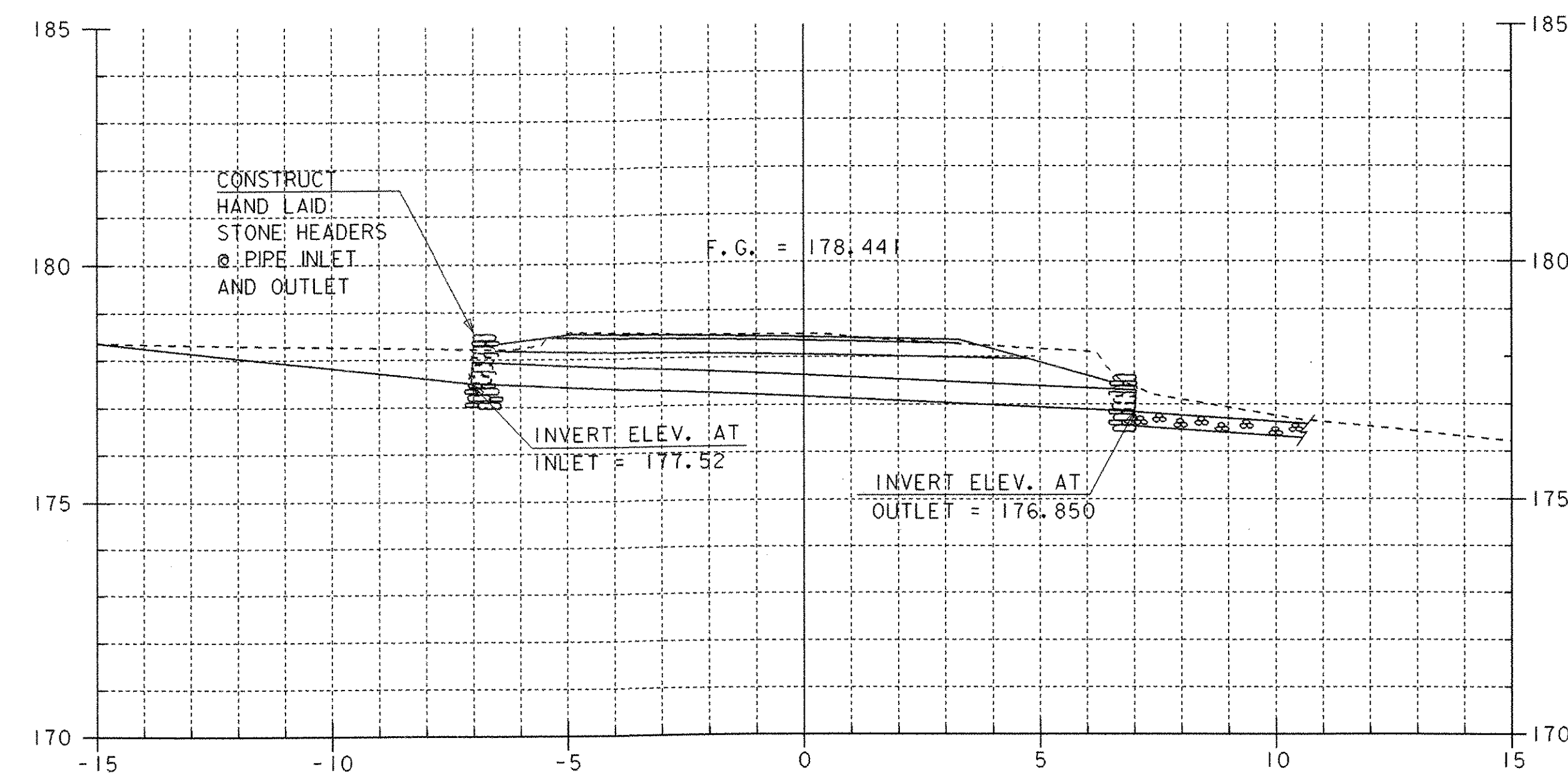


I+188  
DRIVE RIGHT



I+134  
DRIVE RIGHT



OPTION PIPE UNDER DRIVE  
STA I+037 LEFT

SHEET NAME: DRIVE CROSS SECTIONS	
PROJECT NAME: WESTFORD	HIGHWAY NO.: TH 4
PROJECT NUMBER: TH2 9436	BRIDGE NO.: 2
	OVER: ROGERS BROOK
FILE NAME: /PW/941122/sj122xs2.dgn	PLOT DATE: 25-MAR-2005
PROJECT MANAGER: R. R. WHITCOMB	DRAWN BY: STRI
DESIGNED BY: C. CARLSON	IPARM NAME: sj122d2.1
BRIDGE SHEET NUMBER:	SHEET 51 OF 56